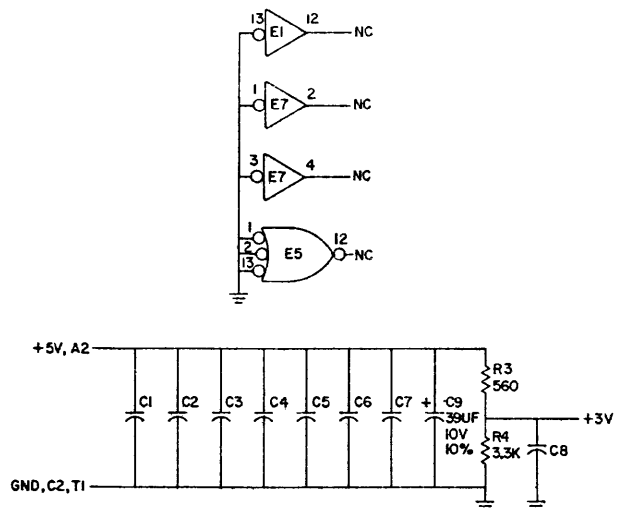
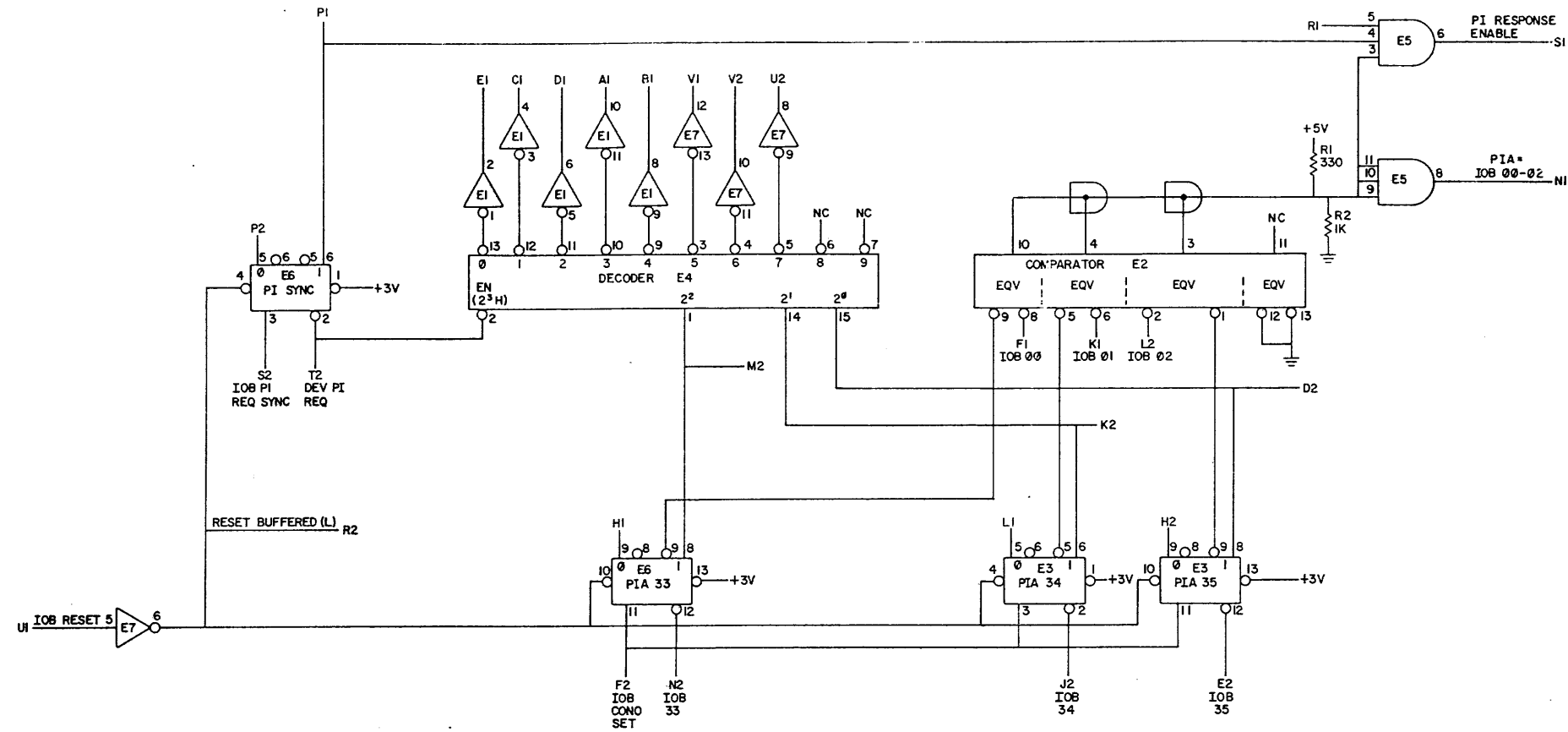
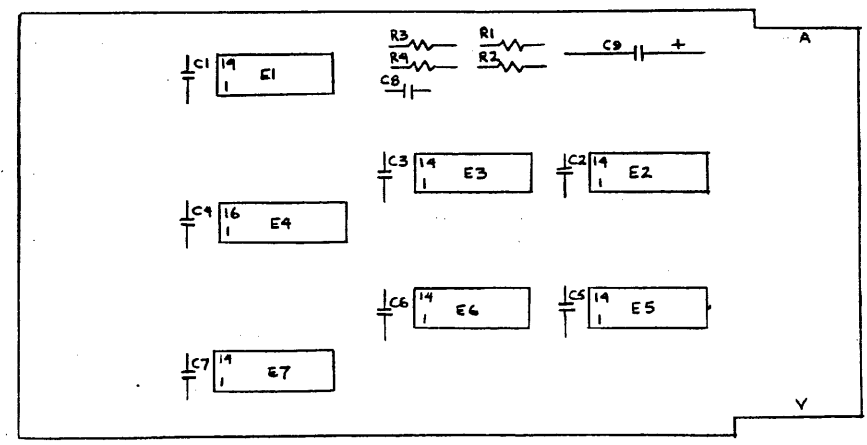


THIS SCHEMATIC IS FURNISHED ONLY FOR TEST AND MAINTENANCE PURPOSES. THE CIRCUITS ARE PROPRIETARY IN NATURE AND SHOULD BE TREATED ACCORDINGLY. COPYRIGHT 1970 BY DIGITAL EQUIPMENT CORPORATION



UNLESS OTHERWISE INDICATED:
 E1, E7 = DEC1074H04
 E5 = DEC1074H11
 E4 = DEC8251
 E2 = DEC8242
 E3, E6 = DEC1074H74
 PIN 7 = GND ON E1-E3, E5-E7
 PIN 14 = +5V
 PIN 8 = GND ON E4
 PIN 16 = +5V
 CAPACITORS = .01UF, 100V, 20%
 RESISTORS = 1/4W, 5%



ITEM NO.	DEC PART NO.	DESCRIPTION	QTY.
17	9008337-06	HANDLE, FLIP CHIP - M86M7A	1
16	9006732	EYELET 8GE 4-7	2
15	1910463	I.C. DEC1074H04	2
14	1909712	I.C. DEC 8242	1
13	1910558	I.C. DEC1074H74	2
12	1909594	I.C. DEC 8251	1
11	1910465	I.C. DEC1074H11	1
10	1301890	RES. 560, 1/4W, 5%	1
9	1300439	R.S. 3.3K, 1/4W, 5%	1
8	1300365	RES. 1K, 1/4W, 5%	1
7	1300295	RES. 330, 1/4W, 5%	1
6	1001610	CAP. .01UF, 100V, 20%	1
5	1000076	CAP. .39UF, 10V, 10% S. TANT	1
4	5009374	ETCHED CIRCUIT BOARD	1
3	B-MH-M7100-0-6	MODULE ECO HISTORY	
2	C-AM-M7100-0-5	ASSY/DRILLING HOLE LAYOUT	
1	K-CG-M7100-0-4	2-Y COORDINATE HOLE LOCATION	
REV. NO.	DEC PART NO.	DESCRIPTION	QTY.

REVISIONS DATE BY CHECKED DATE BY	DATE: 12/19/70 BY: [Signature] CHECKED: [Signature] DATE: 1-10-71 BY: [Signature]	TRANSISTOR & DIODE CONVERSION CHART DEC: [] EIA: [] DEC: [] EIA: []	TITLE: IO DEVICE CONTROL M7100 PART: D CS NUMBER: M7100-0-1 REV: C PRINTED CIRCUIT REV: []
	digital EQUIPMENT CORPORATION 300 MASSACHUSETTS AVENUE, CAMBRIDGE, MASSACHUSETTS 02142		

REV. C M7100-0-1