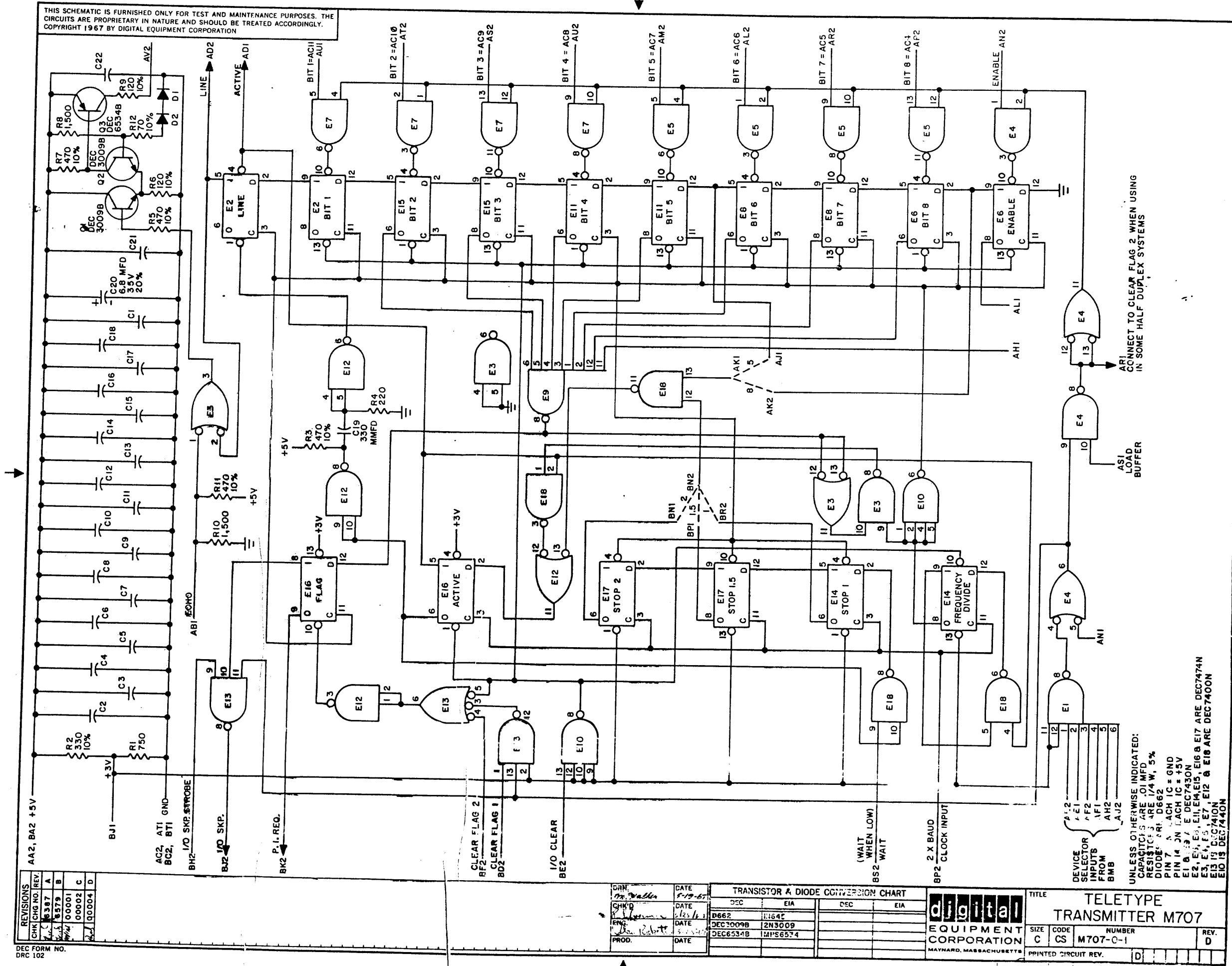


THIS SCHEMATIC IS FURNISHED ONLY FOR TEST AND MAINTENANCE PURPOSES. THE CIRCUITS ARE PROPRIETARY IN NATURE AND SHOULD BE TREATED ACCORDINGLY. COPYRIGHT 1967 BY DIGITAL EQUIPMENT CORPORATION



REV.	CHG NO.	REV.
A	387	
B	379	
C	0000	
D	0000	

DEC FORM NO. DRC 102

DRN	DATE	DEC	EIA
CHK'D	DATE	D662	E1642
ENG	DATE	DEC3009B	2N3009
PROD.	DATE	DEC6534B	MPS6534

TRANSISTOR & DIODE CONVERSION CHART			
DEC	EIA	DEC	EIA

digital
EQUIPMENT CORPORATION
MAYNARD, MASSACHUSETTS

TITLE	TELETYPE TRANSMITTER M707		
SIZE	CODE	NUMBER	REV.
C	CS	M707-C-1	D
PRINTED CIRCUIT REV.			

UNLESS OTHERWISE INDICATED:
CAPACITORS ARE .01MFD
RESISTORS ARE 1/4W, 5%
DIODES ARE D662
PIN 7 ON EACH IC = GND
PIN 14 ON EACH IC = +5V
E1, E2, E3, E4, E5, E6, E7, E8, E9, E10, E11, E12, E13, E14, E15, E16, E17, E18 ARE DEC7400N
E19 IS DEC7410N
E20 IS DEC7440N

SIZE CODE NUMBER REV.
C CS M707-C-1 D