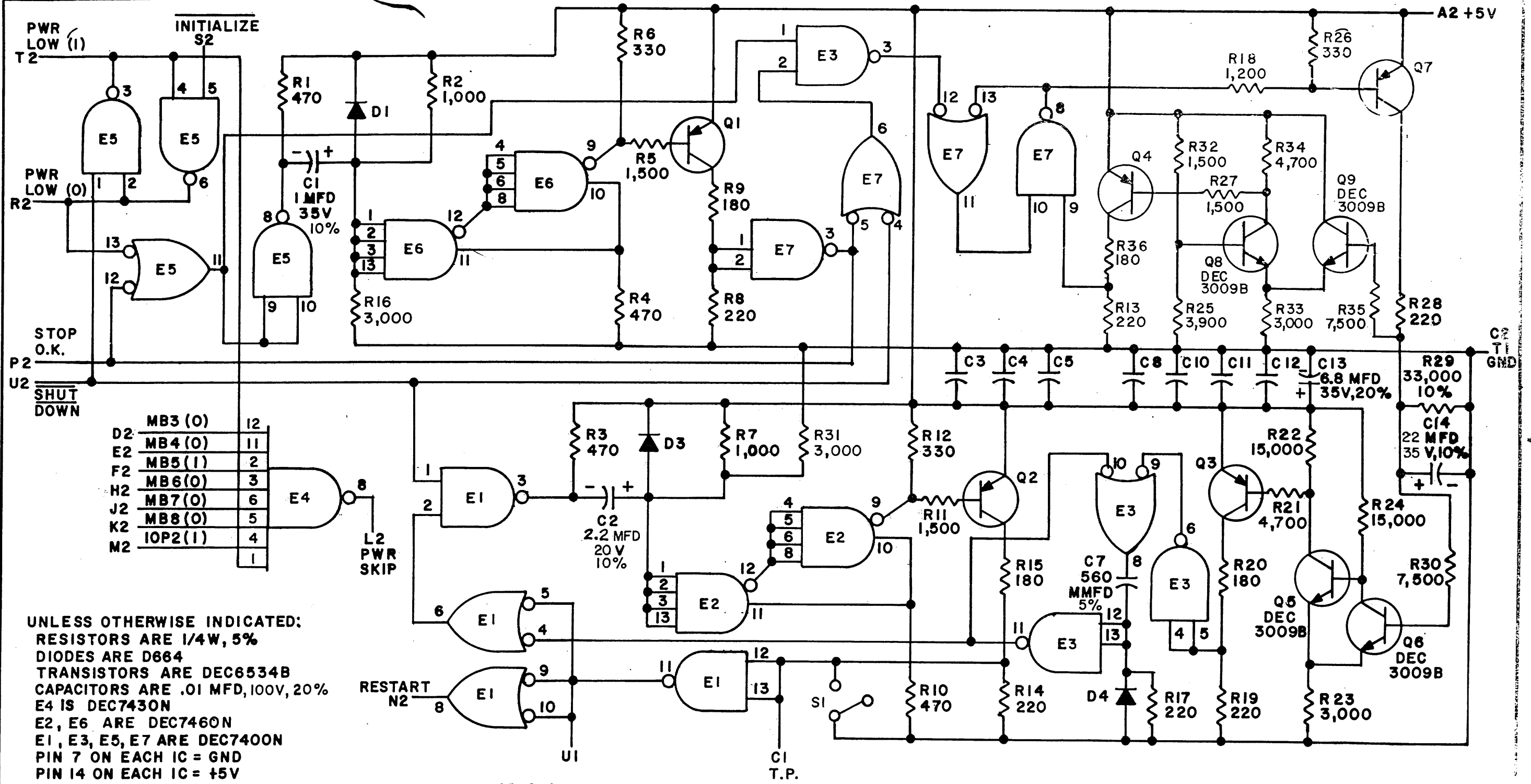


THIS SCHEMATIC IS FURNISHED ONLY FOR TEST AND MAINTENANCE PURPOSES. THE CIRCUITS ARE PROPRIETARY IN NATURE AND SHOULD BE TREATED ACCORDINGLY. COPYRIGHT 1967 BY DIGITAL EQUIPMENT CORPORATION



UNLESS OTHERWISE INDICATED:  
 RESISTORS ARE 1/4W, 5%  
 DIODES ARE D664  
 TRANSISTORS ARE DEC6534B  
 CAPACITORS ARE .01 MFD, 100V, 20%  
 E4 IS DEC7430N  
 E2, E6 ARE DEC7460N  
 E1, E3, E5, E7 ARE DEC7400N  
 PIN 7 ON EACH IC = GND  
 PIN 14 ON EACH IC = +5V  
 S1 IS SWITCH #6ATI-T2

PARTS LIST A-PL-M703-0-0

REVISIONS CHK CHG NO. REV. C 6617 D 7148 E 7125 F 7165 G 00001 H 00004 J F.W.O. 00004	DRN. <i>M. Haller</i>	DATE 9-27-67	TRANSISTOR & DIODE CONVERSION CHART		<b>digital</b> EQUIPMENT CORPORATION MAYNARD, MASSACHUSETTS	TITLE POWER FAIL M703	
	CHK'D <i>[Signature]</i>	DATE <i>[Signature]</i>	DEC	EIA		SIZE B	CODE CS
	ENG <i>[Signature]</i>	DATE 1/18	DEC6534B	MPS6534		NUMBER M703-0-1	REV. J
	PROD. 2	DATE	D664	JN3606		PRINTED CIRCUIT REV. J	