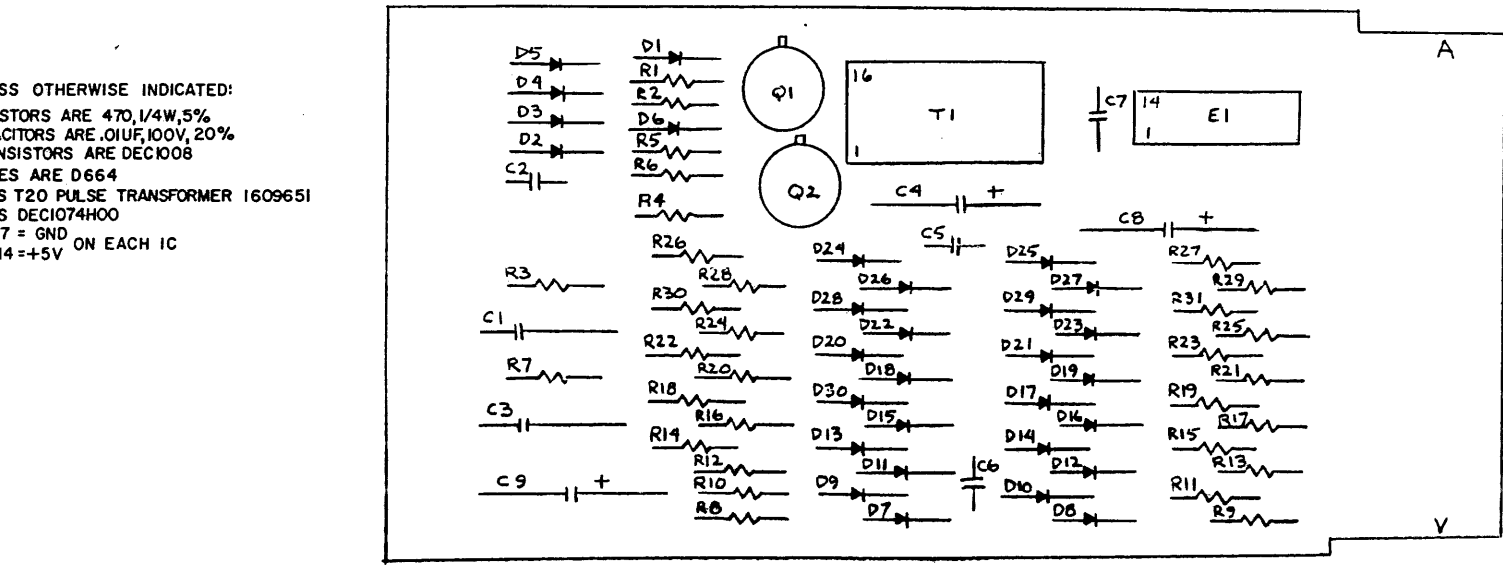
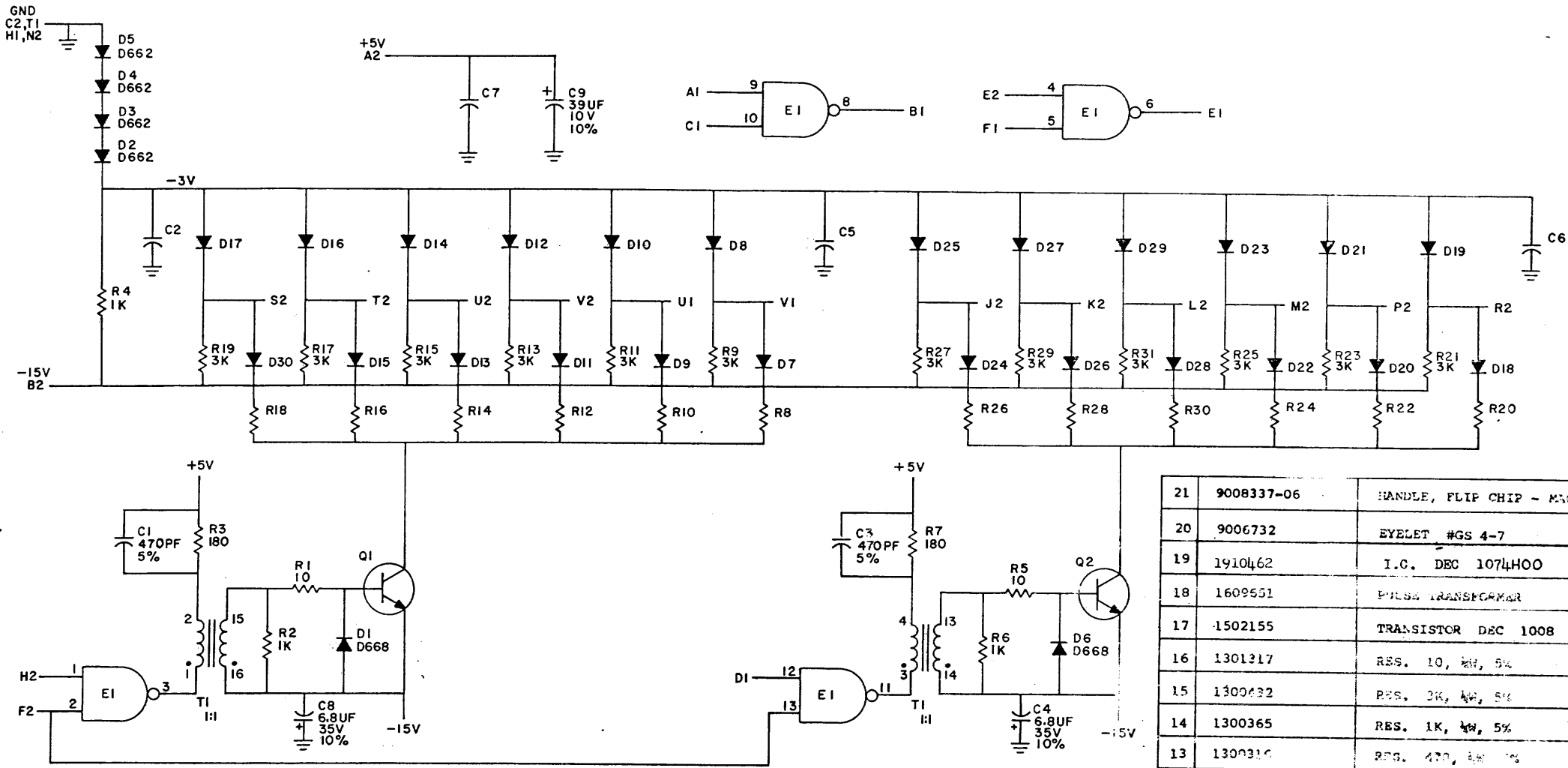


THIS SCHEMATIC IS FURNISHED ONLY FOR TEST AND MAINTENANCE PURPOSES. THE CIRCUITS ARE PROPRIETARY IN NATURE AND SHOULD BE TREATED ACCORDINGLY. COPYRIGHT 1970 BY DIGITAL EQUIPMENT CORPORATION



UNLESS OTHERWISE INDICATED:
 RESISTORS ARE .470, 1/4W, 5%
 CAPACITORS ARE .01UF, 100V, 20%
 TRANSISTORS ARE DEC1008
 DIODES ARE D664
 T1 IS T20 PULSE TRANSFORMER 1609651
 E1 IS DEC1074H00
 PIN 7 = GND
 PIN 14 = +5V

ITEM NO.	DEC PART NO.	DESCRIPTION	QTY
21	9008337-06	HANDLE, FLIP CHIP - MACERRA	1
20	9006732	EYELET #GS 4-7	2
19	1910462	I.C. DEC 1074H00	1
18	1609551	PULSE TRANSFORMER	1
17	1502155	TRANSISTOR DEC 1008	2
16	1301217	RES. 10, 1/4W, 5%	2
15	1300432	RES. 2K, 1/4W, 5%	12
14	1300365	RES. 1K, 1/4W, 5%	3
13	1300310	RES. 470, 1/4W, 5%	10
12	1301322	RES. 180, 1/4W, 5%	2
11	1102161	DIODE D668	2
10	1100114	DIODE D664	2
9	1100113	DIODE D662	2
8	1005306	CAP. 6.8UF, 35V, 10%	2
7	1001610	CAP. .01UF, 100V, 20%	2
6	1000076	CAP. .39UF, 10V, 10% TANT	2
5	1000024	CAP. 470PF, 100V, 5%	2
4	5009288	ETCHED CIRCUIT BOARD	1
3	B-MH-M666-0-6	MODULE ECO HISTORY	
2	C-AH-M666-0-5	ACS/DRIVING HOLE LAYOUT	
1	K-CC-M666-0-4	X-Y COORDINATE HOLE LOCATION	

REVISIONS CHK CHG NO. REV DOO OJD 000002 E	DRN. <i>A. Cooper</i> DATE 11/20/70 CHK'D <i>FA. M.</i> DATE 1-19-71 ENG. <i>B. L.</i> DATE 1/19/71 PROD.	* 2 (TWO) IN 3606 IN SERIES TRANSISTOR & DIODE CONVERSION CHART <table border="1"> <tr><td>DEC</td><td>EIA</td></tr> <tr><td>D664</td><td>IN 3606</td></tr> <tr><td>D662</td><td>IN 645</td></tr> <tr><td>D668</td><td>D668 *</td></tr> </table>	DEC	EIA	D664	IN 3606	D662	IN 645	D668	D668 *	<table border="1"> <tr><td>DEC</td><td>EIA</td></tr> <tr><td>DEC 1008</td><td>MM 1008</td></tr> </table>	DEC	EIA	DEC 1008	MM 1008	digital EQUIPMENT CORPORATION MAYNARD, MASSACHUSETTS	TITLE I.O. BUS RESET MG66 SIZE C CODE M666-0-1 PRINTED CIRCUIT REV
DEC	EIA																
D664	IN 3606																
D662	IN 645																
D668	D668 *																
DEC	EIA																
DEC 1008	MM 1008																