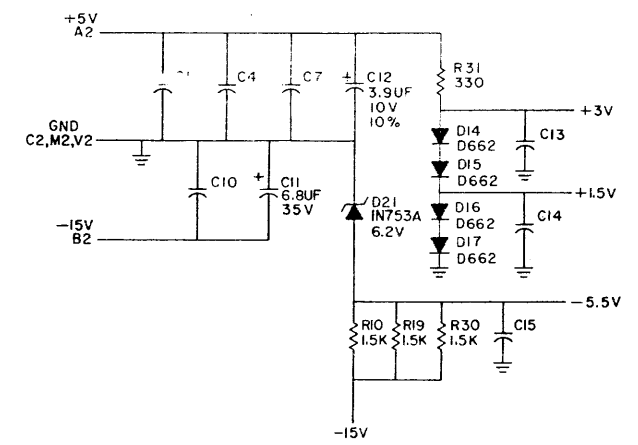
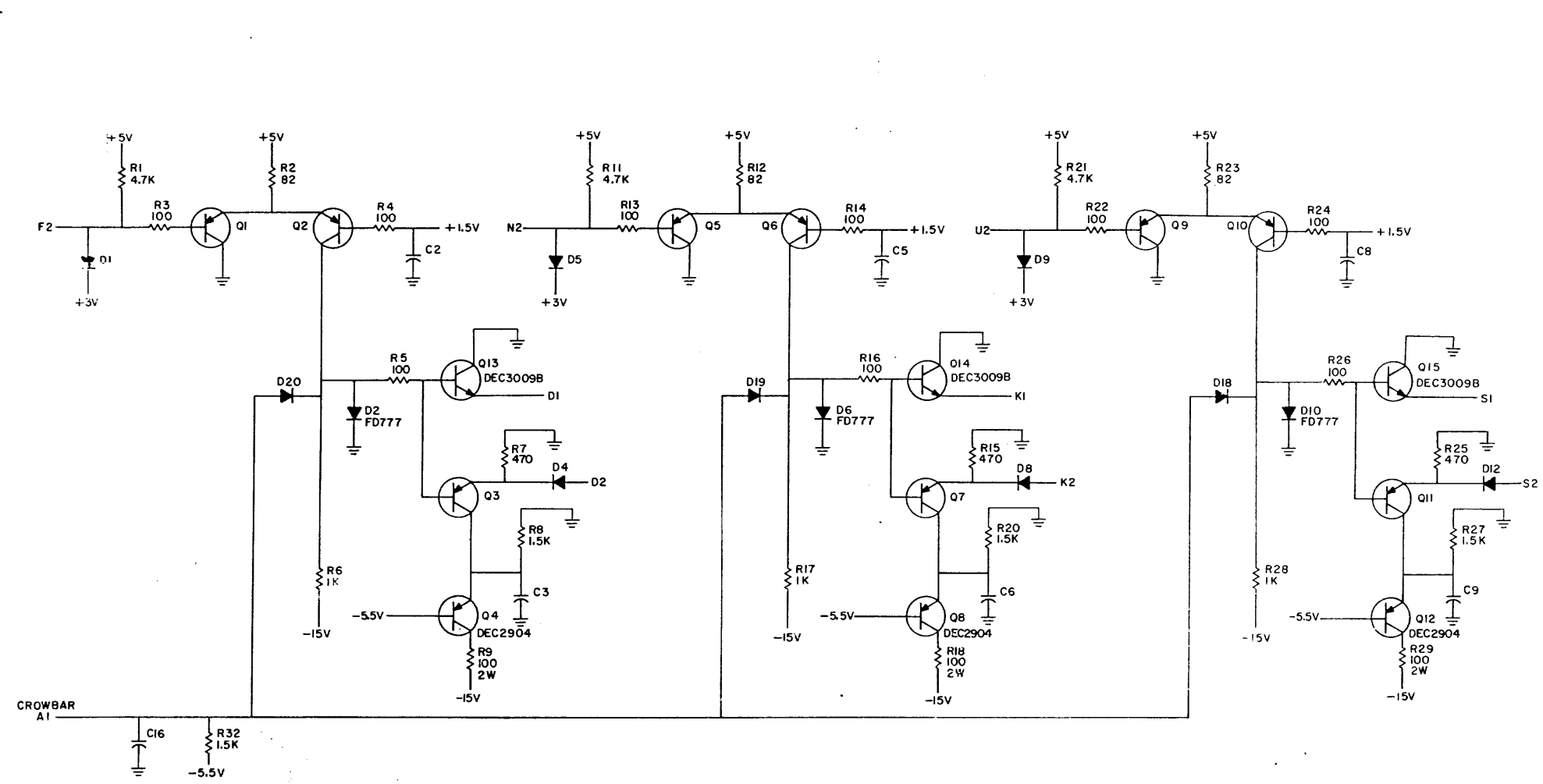
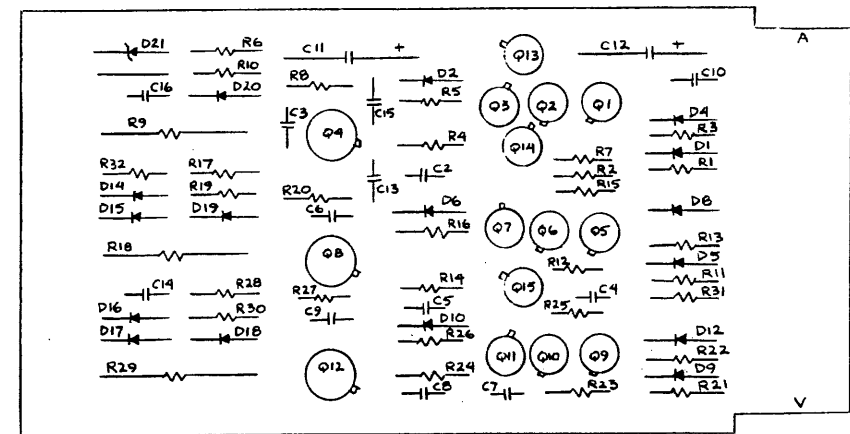


THIS SCHEMATIC IS FURNISHED ONLY FOR TEST AND MAINTENANCE PURPOSES. THE CIRCUITS ARE PROPRIETARY IN NATURE AND SHOULD BE TREATED ACCORDINGLY. COPYRIGHT 1971 BY DIGITAL EQUIPMENT CORPORATION.



UNLESS OTHERWISE INDICATED:
RESISTORS ARE 1/4W, 5%
CAPACITORS ARE .01UF, 100V, 20%
DIODES ARE D664
TRANSISTORS ARE DEC4258



REV	DATE	DESCRIPTION	QTY
24	9008337-06	HANDLE, FLIP CHIP - MAGENTA	1
23	9006732	EYELET #GS 4-7	2
22	1505321	TRANSISTOR DEC 4258	9
21	1503100	TRANSISTOR DEC 3009B	3
20	1501742	TRANSISTOR DEC 2904	3
19	1302380	RES. 100, 2W, 5%	3
18	1301477	RES. 82, 1/4W, 5%	3
17	1300447	RES. 4.7K, 1/4W, 5%	3
16	1300391	RES. 1.5K, 1/4W, 5%	7
15	1300365	RES. 1K, 1/4W, 5%	3
14	1300316	RES. 470, 1/4W, 5%	3
13	1300295	RES. 330, 1/4W, 5%	1
12	1300279	RES. 100, 1/4W, 5%	9
11	1103041	DIODE FD777	3
10	1102421	DIODE 1N753A	1
9	1100114	DIODE D664	9
8	1100113	DIODE D662	4
7	1001611	CAP. .01UF, 100V, 20% DISC	14
6	1000076	CAP. .39UF, 10V, 10% S. TANT	1
5	1000067	CAP. 6.8UF, 35V, 20% S. TANT	1
4	5009391	ETCHED CIRCUIT BOARD	1
3	4000001	MODULE ECO HISTORY	
2	3000001	MODULE ECO HISTORY	
1	2000001	MODULE ECO HISTORY	

REVISIONS CHG NO. REV. DATE BY 1 1 00001 C 2 1 00001 C 3 1 00001 C 4 1 00001 C 5 1 00001 C 6 1 00001 C 7 1 00001 C 8 1 00001 C 9 1 00001 C 10 1 00001 C 11 1 00001 C 12 1 00001 C 13 1 00001 C 14 1 00001 C 15 1 00001 C 16 1 00001 C 17 1 00001 C 18 1 00001 C 19 1 00001 C 20 1 00001 C 21 1 00001 C 22 1 00001 C 23 1 00001 C 24 1 00001 C	TRANSISTOR & DIODE CONVERSION CHART <table border="1"> <tr> <th>DEC</th> <th>EIA</th> <th>DEC</th> <th>EIA</th> </tr> <tr> <td>D664</td> <td>1N3606</td> <td>DEC2904</td> <td>2N2118A</td> </tr> <tr> <td>D662</td> <td>1N3605</td> <td>DEC3009B</td> <td>2N3009</td> </tr> <tr> <td>1N753A & 2V</td> <td>1N753A</td> <td>DEC4258</td> <td>2N4258</td> </tr> </table>	DEC	EIA	DEC	EIA	D664	1N3606	DEC2904	2N2118A	D662	1N3605	DEC3009B	2N3009	1N753A & 2V	1N753A	DEC4258	2N4258	digital EQUIPMENT CORPORATION TITLE: "OR" BUS DRIVER M663 NUMBER: M663-0-1 REV: C
DEC	EIA	DEC	EIA															
D664	1N3606	DEC2904	2N2118A															
D662	1N3605	DEC3009B	2N3009															
1N753A & 2V	1N753A	DEC4258	2N4258															