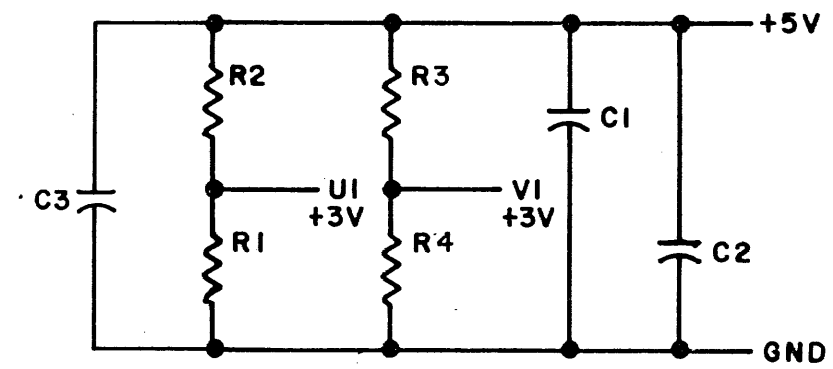
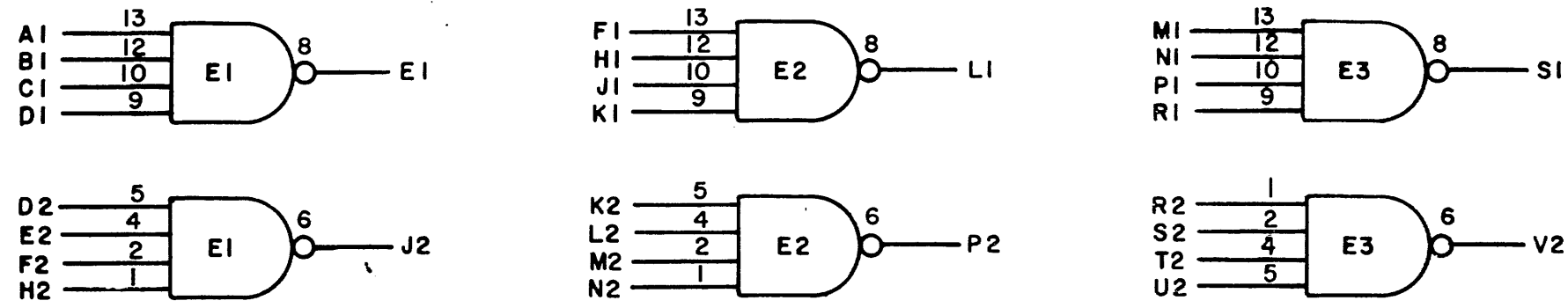


THIS SCHEMATIC IS FURNISHED ONLY FOR TEST AND MAINTENANCE PURPOSES THE CIRCUITS ARE PROPRIETARY IN NATURE AND SHOULD BE TREATED ACCORDINGLY COPYRIGHT 1967 BY DIGITAL EQUIPMENT CORPORATION

+5V ——— A2
 NOT USED -15V ——— B2
 GND ——— C2, T1



NOTES:
 PIN 7 ON EACH IC = GND
 PIN 14 ON EACH IC = +5V

E1 THRU E3	INTEGRATED CKT. DEC74H40	1905586
R2 & R3	RES. 330 1/4W 10% CC	1300293
R1 & R4	RES. 750 1/4W 5% CC	1301401
C1 THRU C3	CAP. .01MFD 100V 20% DISC	1001610
PARTS LIST		A-PL-M627-0-0
REFERENCE DESIGNATION	DESCRIPTION	PART NO.

REVISIONS CHG NO REV 6825 A MM 00001 B 00002 E 00003 F	DRN. <i>M. Haller</i>	DATE 7-18-67	TRANSISTOR & DIODE CONVERSION CHART		TITLE POWER AMPLIFIER MODULE M627 digital EQUIPMENT CORPORATION MAYNARD, MASSACHUSETTS	SIZE B	CODE CS	NUMBER M627-0-1	REV. F
	CHK'D <i>R. Silverman</i>	DATE 7/19/67	DEC	EIA		PRINTED CIRCUIT REV. A			
	ENG. <i>M. J. Goshen</i>	DATE 7/10	DEC	EIA					
	PROD.	DATE							