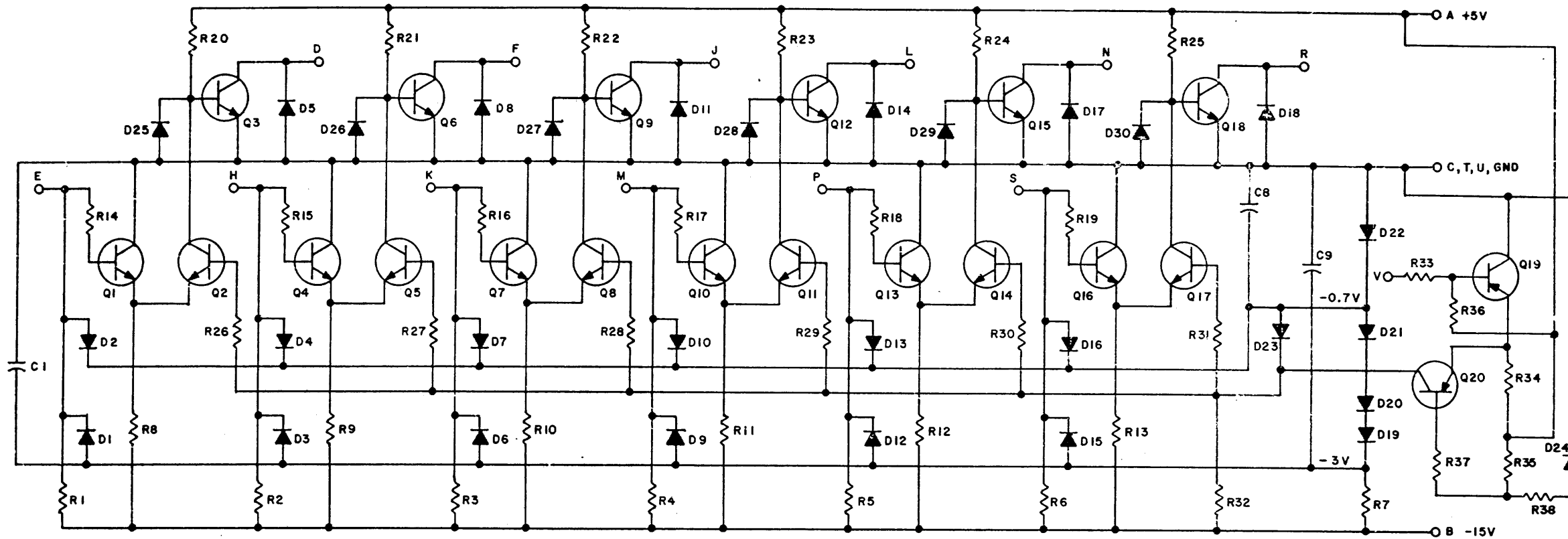


THIS SCHEMATIC IS FURNISHED ONLY FOR TEST AND MAINTENANCE PURPOSES. THE CIRCUITS ARE PROPRIETARY IN NATURE AND SHOULD BE TREATED ACCORDINGLY. COPYRIGHT 1970 BY DIGITAL EQUIPMENT CORPORATION



REV. A  
PART NUMBER  
M517-0-1  
C CS

R34	RES. 100 1/4W 5% CC	1300229
R36	RES. 10K 1/4W 10% CC	1300481
R38	RES. 220 1/4W 10% CC	1300275
Q19 Q20	TRANSISTOR DEC2894-1B	1503097
Q1-Q18	TRANSISTOR DEC3009B-S	1503100
R20-R25, R35, R37	RES. 1K 1/4W 5% CC	1300365
R8-R13	RES. 2.2K 1/4W 5% CC	1300417
R14-R19, R26-R31, R33	RES. 470 1/4W 5% CC	1300316
R1-R7, R32	RES. .5K 1/4W 5% CC	1300391
C1, C8, C9	CAP. .01 MFD 100V 20% DISC	1001610
D19-D22, D24	DIODE D662	1100113
D1-D18, D23, D25-D30	DIODE D664	1100114
	PARTS LIST	A-PL-M517-0-0
REFERENCE DESIGNATION	DESCRIPTION	PART NO.

TRANSISTOR & DIODE CONVERSION CHART				TITLE	
DEC	EIA	DEC	EIA	BUS CONVERTER M517	
DEC3009B	2N3039			SIZE CODE	NUMBER
D662	1N645			C CS	M517-0-1
D664	1N3606			REV.	A
DEC2894-1B	NONE			PRINTED CIRCUIT REV	

REVISIONS  
CHKD NO. REV.  
P-1 00001 A

DRN  
DATE 8/7/70  
CHKD  
DATE 7/7/70  
END  
DATE 8/1/70  
BY  
DATE

DEC FORM NO.

DEC 204 000000