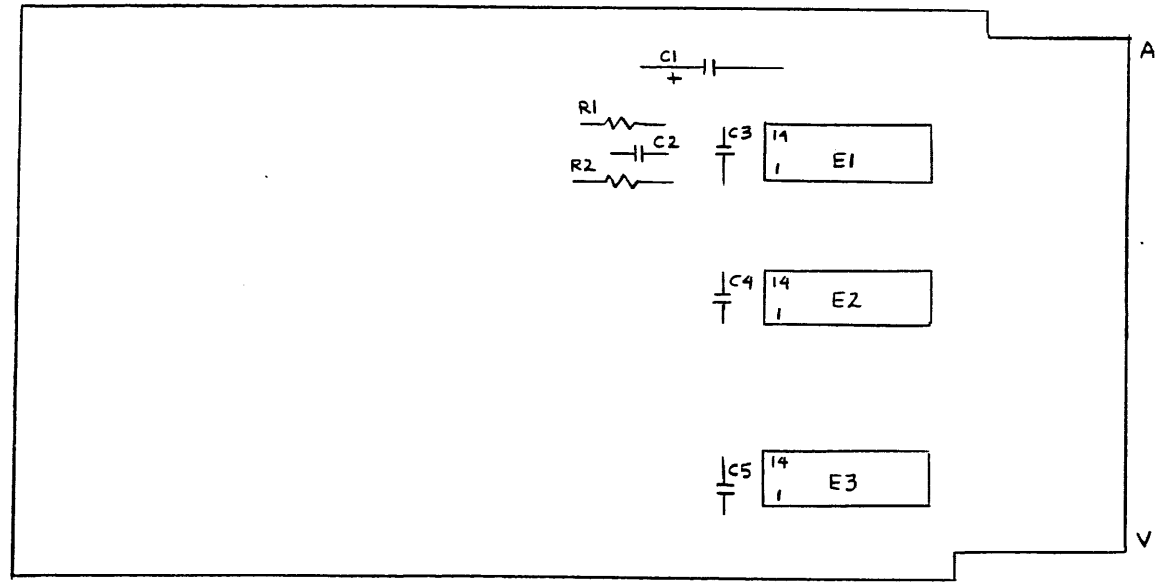
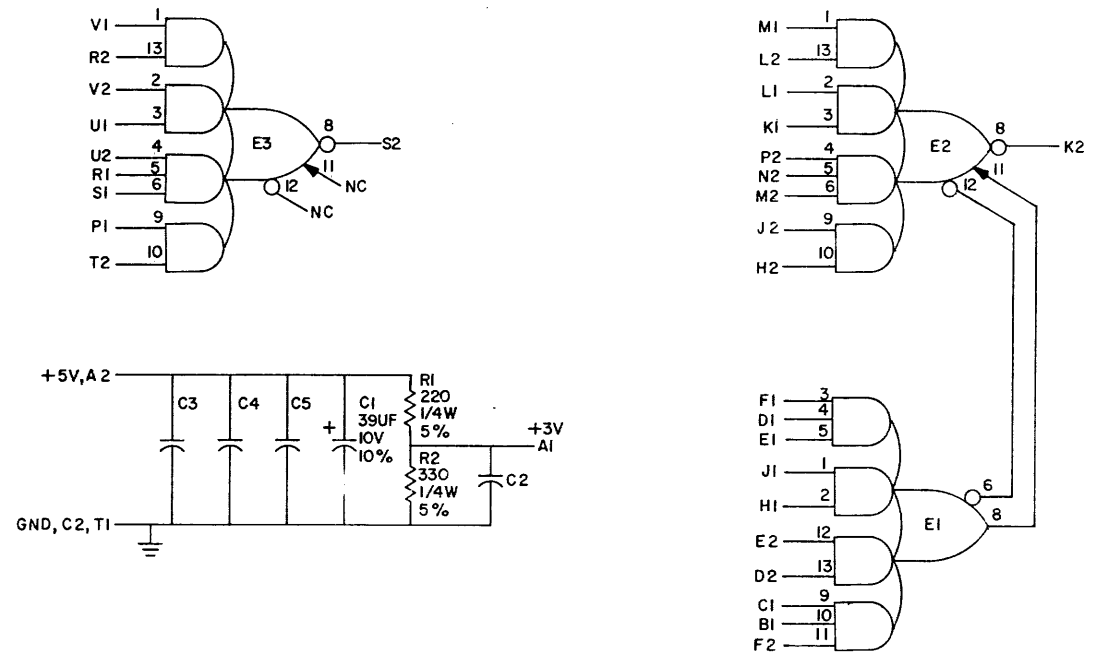


THIS SCHEMATIC IS FURNISHED ONLY FOR TEST AND MAINTENANCE PURPOSES. THE CIRCUITS ARE PROPRIETARY IN NATURE AND SHOULD BE TREATED ACCORDINGLY. COPYRIGHT 1970 BY DIGITAL EQUIPMENT CORPORATION



UNLESS OTHERWISE INDICATED:
 CAPACITORS = .01UF, 100V, 20%
 E1 = DEC1074H62
 E2, E3 = DEC1074H53
 PIN 7 = GND ON ALL IC'S
 PIN 14 = +5V

12	9008337-06	HANDLE, FLIP CHIP - MAGENTA	1
11	9006732	EYELETS #GS 4-7	2
10	1910817	I.C. DEC1074H62	1
9	1910814	I.C. DEC1074H53	2
8	1300295	RES. 330, 1/4W, 5%	1
7	1300271	RES. 220, 1/4W, 5%	1
6	1001610	CAP. .01UF, 100V, 20% DISC	4
5	1000076	CAP. 39UF, 10V, 10%	1
4	5009331	ETCHED CIRCUIT BOARD	1
3	B-MH-M170-0-6	MODULE ECO HISTORY	
2	C-AH-M170-0-5	ASSY/DRILLING HOLE LAYOUT	
1	K-CO-M170-0-4	X-Y COORDINATE HOLE LOCATION	
ITEM NO.	DEC PART NO.	DESCRIPTION	QTY.
		FARTS LIST	

REV. B
 NUMBER M170-0-1
 SIZE CODE C CS

REVISIONS (DATE AND REV) 00001 B	DRN NAMELY MOORE DATE 12/11/70	TRANSISTOR & DIODE CONVERSION CHART				TITLE 8 WIDE AND-NOR M17C
	CDR DATE	DEC	EIA	DEC	EIA	
	ENR DATE					
	PROD DATE					
DEC FORM NO. 102 DEC 1970		digital EQUIPMENT CORPORATION MAYNARD, MASSACHUSETTS		SIZE CODE C CS NUMBER M170-0-1 PRINTED CIRCUIT REV B		