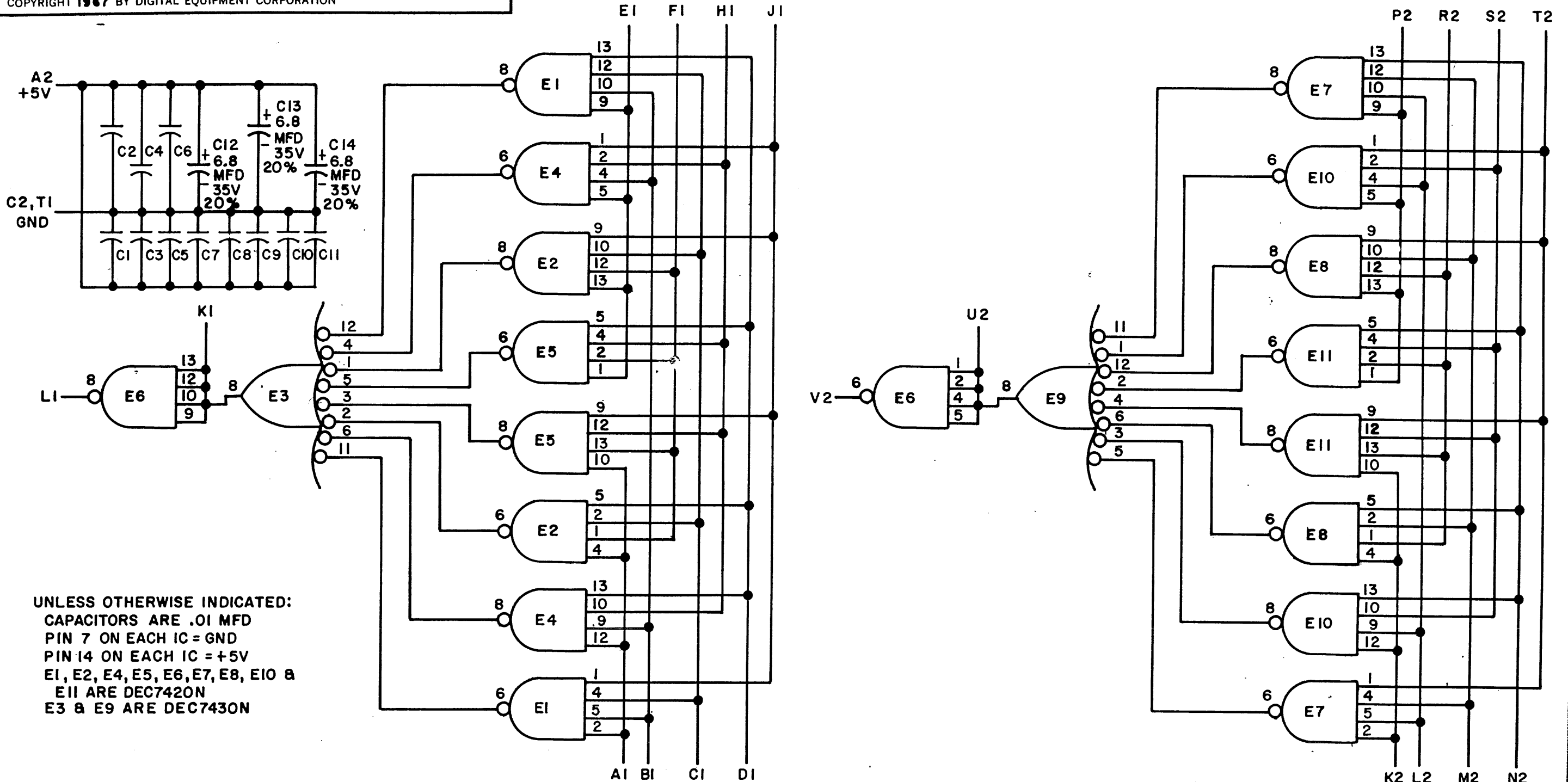


THIS SCHEMATIC IS FURNISHED ONLY FOR TEST AND MAINTENANCE PURPOSES. THE CIRCUITS ARE PROPRIETARY IN NATURE AND SHOULD BE TREATED ACCORDINGLY. COPYRIGHT 1967 BY DIGITAL EQUIPMENT CORPORATION



UNLESS OTHERWISE INDICATED:
 CAPACITORS ARE .01 MFD
 PIN 7 ON EACH IC = GND
 PIN 14 ON EACH IC = +5V
 E1, E2, E4, E5, E6, E7, E8, E10 &
 E11 ARE DEC7420N
 E3 & E9 ARE DEC7430N

PARTS LIST IS A-PL-M162-0-0

REVISIONS CHK CHG NO. REV. MY 00001 A	DRN. <i>M. Haller</i>	DATE 4-18-67	TRANSISTOR & DIODE CONVERSION CHART				TITLE PARITY CIRCUIT M162
	CHK'D <i>[Signature]</i>	DATE	DEC	EIA	DEC	EIA	
	ENG <i>[Signature]</i>	DATE 5/5/67					
	PROD.	DATE					SIZE B CODE CS NUMBER M162-0-1 REV. A
DEC FORM NO. DRB 102			MAYNARD, MASSACHUSETTS				PRINTED CIRCUIT REV. B

DIST. 324 434 435 5 PINK