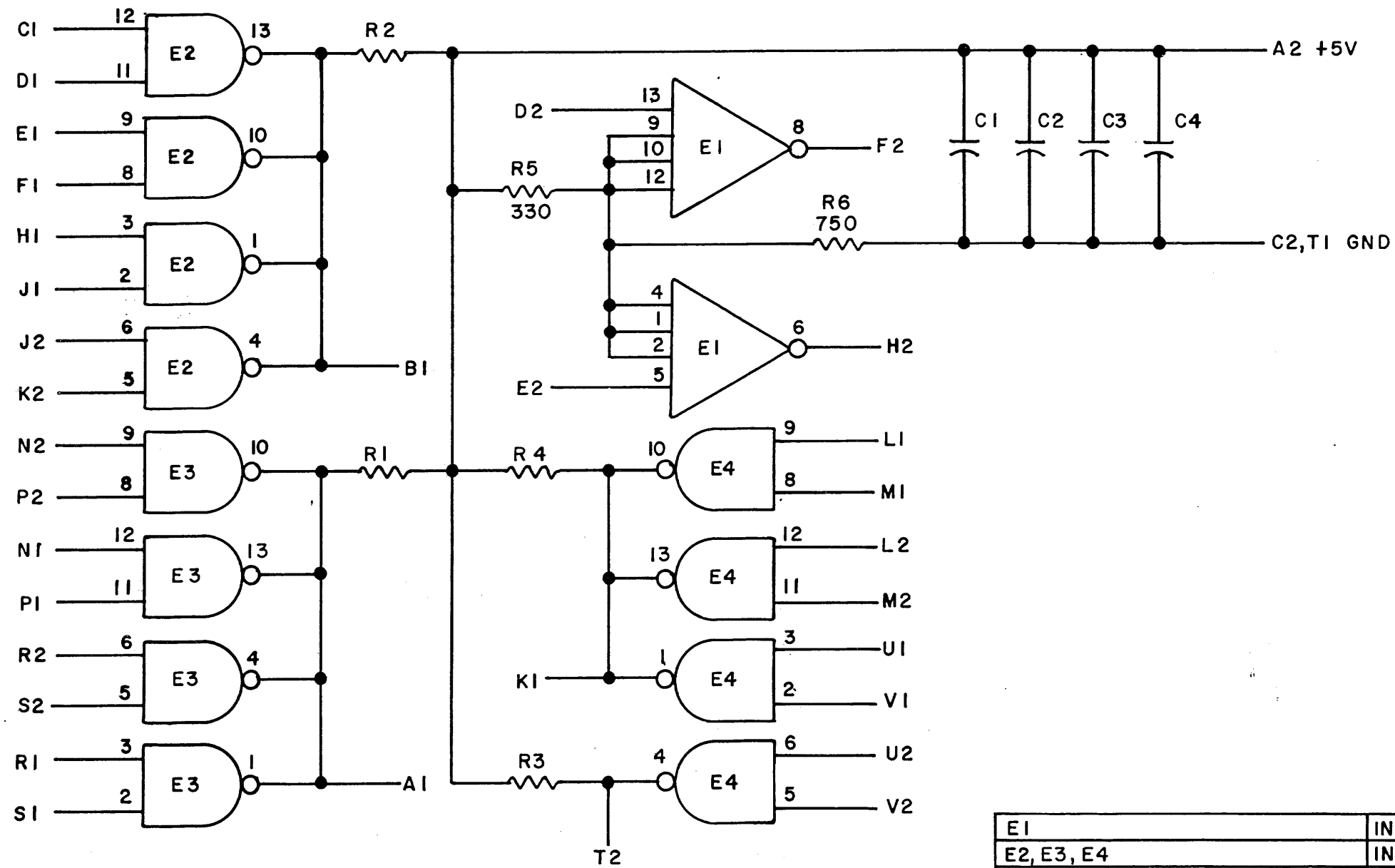


THIS SCHEMATIC IS FURNISHED ONLY FOR TEST AND MAINTENANCE PURPOSES. THE CIRCUITS ARE PROPRIETARY IN NATURE AND SHOULD BE TREATED ACCORDINGLY. COPYRIGHT 1967 BY DIGITAL EQUIPMENT CORPORATION



NOTE:
PIN 7 ON EACH IC = GND
PIN 14 ON EACH IC = +5V

E1	INTEGRATED CKT. DEC7420N	1905577
E2, E3, E4	INTEGRATED CKT. DEC7401N	1905590
R6	RES. 750 1/4W 5% CC	1301401
R5	RES. 330 1/4W 10% CC	1300293
R1 THRU R4	RES. 1.5K 1/4W 5% CC	1300391
C1 THRU C4	CAP. .01MFD 100V 20% DISC	1001610
	PARTS LIST	A-PL-M141-0-0
REFERENCE DESIGNATION	DESCRIPTION	PART NO.

REVISIONS	CHK	CHG NO.	REV.
	REV	6803	A
		00001	B

DRN.	M. HALLER	DATE	10-6-67
CHK'D	R. SILVERMAN	DATE	10-13-67
ENG.	L. WHITE	DATE	10-13-67
PROD.		DATE	

TRANSISTOR & DIODE CONVERSION CHART			
DEC	EIA	DEC	EIA

digital
EQUIPMENT CORPORATION
MAYNARD, MASSACHUSETTS

TITLE			
AND/NOR GATES M141			
SIZE	CODE	NUMBER	REV.
B	CS	M141-0-1	B
PRINTED CIRCUIT REV.			C

↑ PINK

DIST: 324 434 435