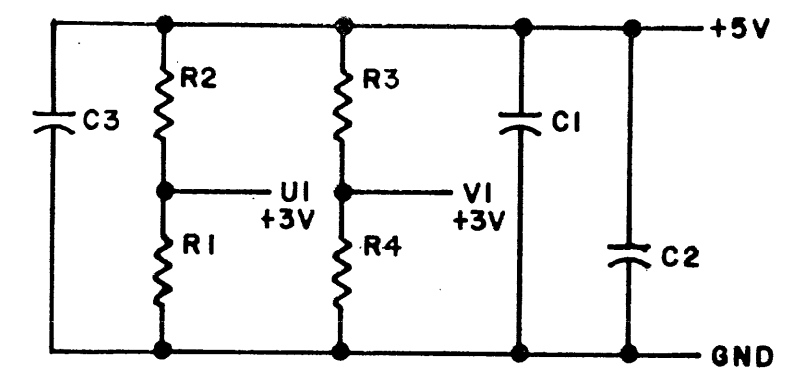
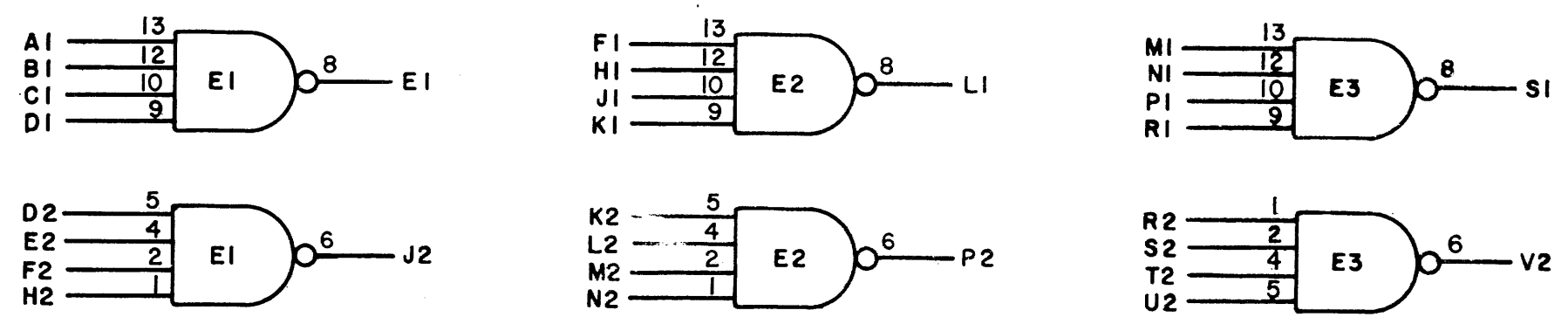




THIS SCHEMATIC IS FURNISHED ONLY FOR TEST AND MAINTENANCE PURPOSES. THE CIRCUITS ARE PROPRIETARY IN NATURE AND SHOULD BE TREATED ACCORDINGLY. COPYRIGHT 1967 BY DIGITAL EQUIPMENT CORPORATION

+5V ——— A2
 NOT USED -15V ——— B2
 GND ——— C2, T1



NOTES:
 PIN 7 ON EACH IC = GND
 PIN 14 ON EACH IC = +5V

E1 THRU E3	INTEGRATED CKT. DEC7420N	1905577
R1 & R4	RES. 750 1/4W 5% CC	1301401
R2 & R3	RES. 330 1/4W 10% CC	1300293
C1 THRU C3	CAP. .01MFD 100V 20% DISC	1001610
	PARTS LIST	A-PL-MI17-0-0
REFERENCE DESIGNATION	DESCRIPTION	PART NO.

REVISIONS	CHK	CHG NO.	REV.
		6424	A
		6799	B
		00001	C
		00002	E

DRN.	M. Haller	DATE	3-15-67
CHK'D.	M. Wynn	DATE	4-21-67
ENG.	L. White	DATE	4-21-67
PROD.		DATE	

TRANSISTOR & DIODE CONVERSION CHART			
DEC	EIA	DEC	EIA

digital
 EQUIPMENT CORPORATION
 MAYNARD, MASSACHUSETTS

TITLE				6-4 INPUT NAND GATES MI17			
SIZE	CODE	NUMBER		REV.			
B	CS	MI17-0-1		E			
PRINTED CIRCUIT REV.				E			
DIST.	324	434	435	3			



P. 2 K

5