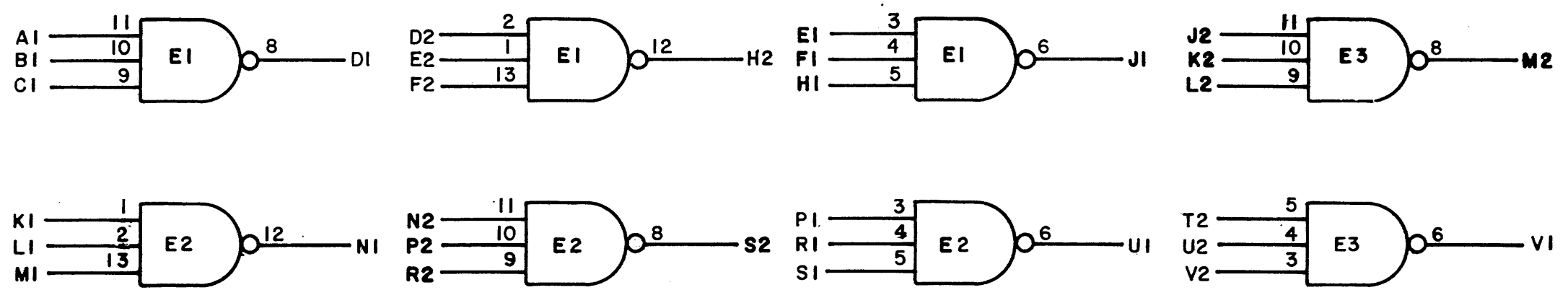
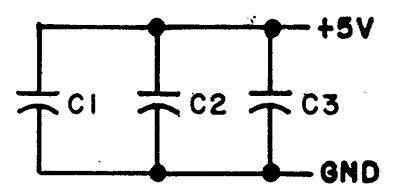


THIS SCHEMATIC IS FURNISHED ONLY FOR TEST AND MAINTENANCE PURPOSES. THE CIRCUITS ARE PROPRIETARY IN NATURE AND SHOULD BE TREATED ACCORDINGLY. COPYRIGHT 1967 BY DIGITAL EQUIPMENT CORPORATION

+5V ——— A2  
NOT USED -15V ——— B2  
GND ——— C2, T1



NOTES:  
PIN 7 ON EACH IC = GND  
PIN 14 ON EACH IC = +5V

E1 THRU E3	INTEGRATED CKT. DEC7410N	1905576
C1 THRU C3	CAP. .01MFD 100V 20% DISC	1001610
	PARTS LIST	A-PL-M115-0-0
REFERENCE DESIGNATION	DESCRIPTION	PART NO.
PARTS LIST		

REVISIONS CHG NO. REV. 6423 A 6800 B 00001 C	DRN. <i>M. Waller</i>	DATE 4-20-67	TRANSISTOR & DIODE CONVERSION CHART				digital EQUIPMENT CORPORATION MAYNARD, MASSACHUSETTS	TITLE 8-3 INPUT NAND GATES M115			
	CHK'D <i>M. Waller</i>	DATE 4-21-67	DEC	EIA	DEC	EIA		SIZE B	CODE CS	NUMBER M115-0-1	REV. C
	ENG. <i>Z. White</i>	DATE 4/21/67						PRINTED CIRCUIT REV. D			
	PROD.	DATE									

↑ PINK

DIST. 324/4/4/35