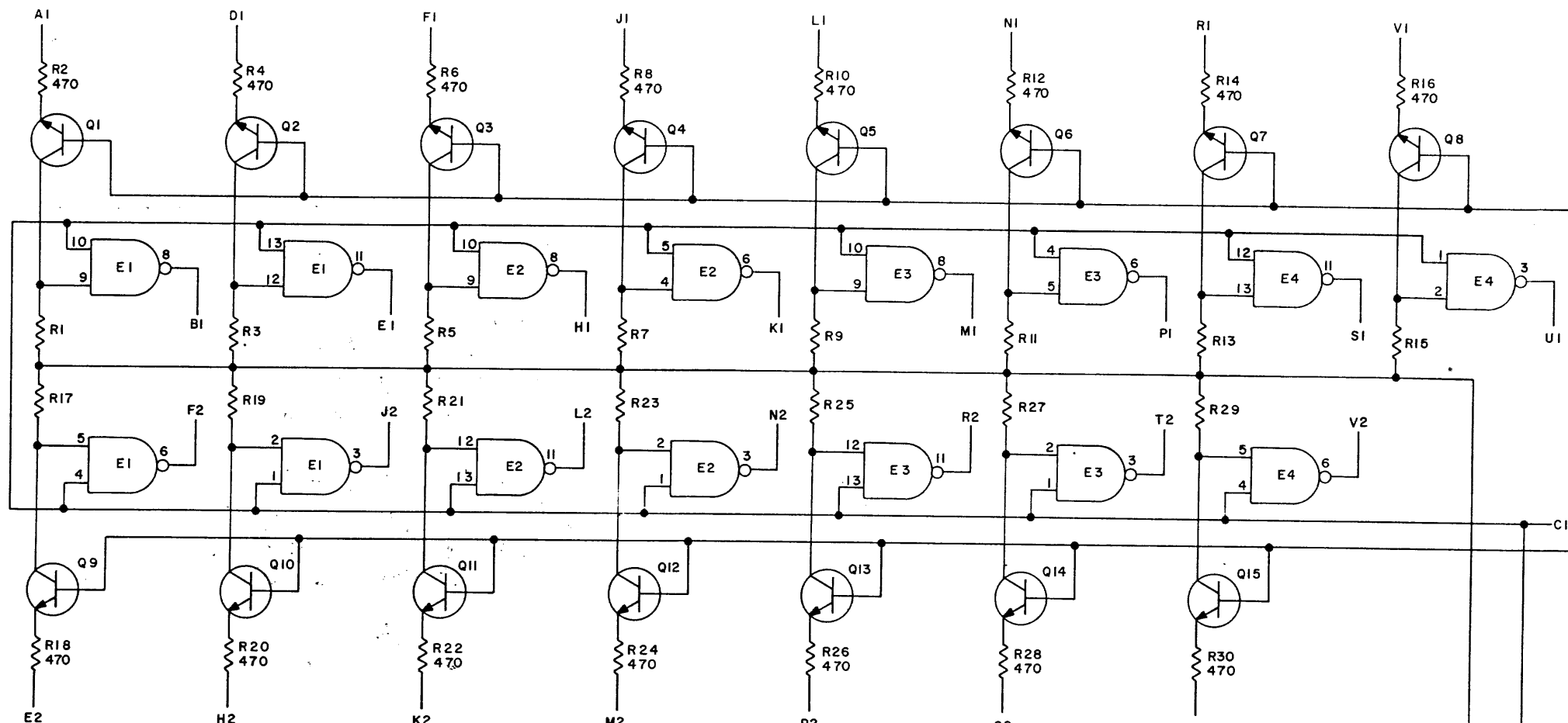
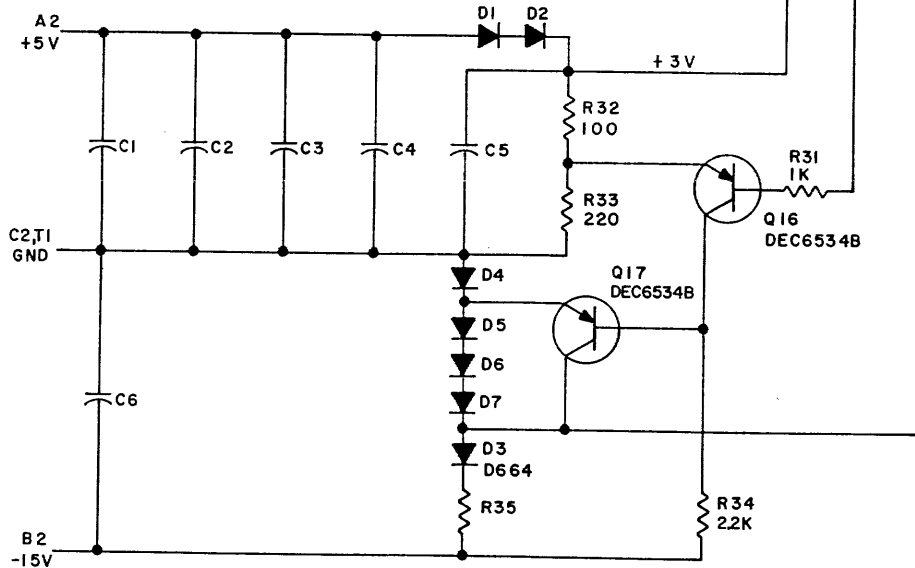


THIS SCHEMATIC IS FURNISHED ONLY FOR TEST AND MAINTENANCE PURPOSES. THE CIRCUITS ARE PROPRIETARY IN NATURE AND SHOULD BE TREATED ACCORDINGLY. COPYRIGHT 1969 BY DIGITAL EQUIPMENT CORPORATION



UNLESS OTHERWISE INDICATED:  
 PIN 7 ON EACH IC = GND  
 PIN 14 ON EACH IC = +5V  
 IC'S ARE DEC 7400N  
 CAPACITORS ARE .01MFD  
 DIODES ARE D662  
 RESISTORS ARE 1/4W 5%  
 RESISTORS ARE 4.7K  
 TRANSISTORS ARE DEC3009B



REV.	NO.	REV.
1	00001	B

DEC FORM NO. DRC 102

DRN	DATE
CHK'D	DATE
ENG.	DATE
PROD.	DATE

TRANSISTOR & DIODE CONVERSION CHART			
DEC	EIA	DEC	EIA
D662	1N645		
D664	1N3606		
DEC3009B	2N3009		
DEC6534B	MPS6534		

**digital**  
 EQUIPMENT CORPORATION  
 MAYNARD, MASSACHUSETTS

TITLE BUS DATA INTERFACE  
 M100  
 SIZE C CODE CS NUMBER M100-0-1  
 PRINTED CIRCUIT REV. A

REV. B  
 NUMBER M100-0-1  
 SIZE CODE C CS

DIST 324.9.7.435 5 P111