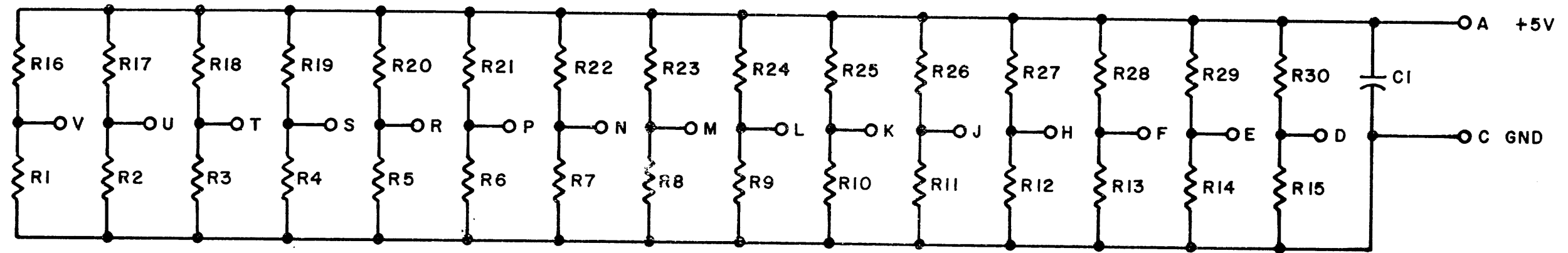


THIS SCHEMATIC IS FURNISHED ONLY FOR TEST AND MAINTENANCE PURPOSES. THE CIRCUITS ARE PROPRIETARY IN NATURE AND SHOULD BE TREATED ACCORDINGLY. COPYRIGHT 1968 BY DIGITAL EQUIPMENT CORPORATION



-----  
A B C D E F G H I J K L M N O P Q R S T U V W X Y Z

R16 - R30	RES. 1.8K 1/4W 10% CC	1301428
R1 - R15	RES. 3.3K 1/4W 5% CC	1300439
C1	CAP. .01MFD 100V 20% DISC	1001610
	PARTS LIST	A-PL-M002-0-0
REFERENCE DESIGNATION	DESCRIPTION	PART NO.

REVISIONS	DRN.	DATE
CHK CHG NO.   REV.	<i>m. Walker</i>	6-21-68
	CHK'D	DATE
	<i>m. Mullen</i>	6/21/68
	ENG.	DATE
	<i>White</i>	7/8/68
	PROD.	DATE

TRANSISTOR & DIODE CONVERSION CHART			
DEC	EIA	DEC	EIA

**digital**  
EQUIPMENT CORPORATION  
MAYNARD, MASSACHUSETTS

TITLE			
15 LOADS M002			
SIZE	CODE	NUMBER	REV.
B	CS	M002-0-1	
PRINTED CIRCUIT REV.			A