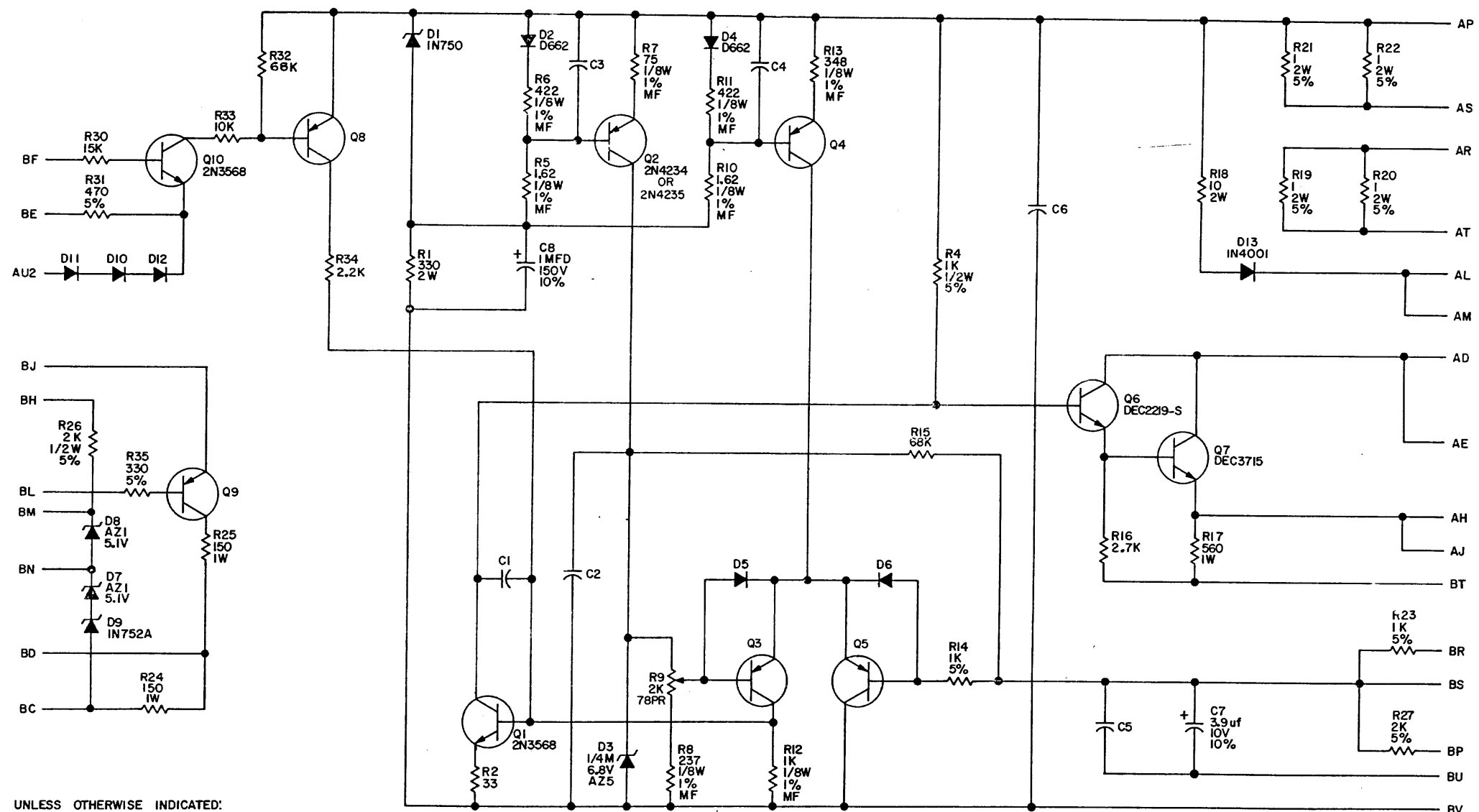


THIS SCHEMATIC IS FURNISHED ONLY FOR TEST AND MAINTENANCE PURPOSES. THE CIRCUITS ARE PROPRIETARY IN NATURE AND SHOULD BE TREATED ACCORDINGLY. COPYRIGHT 1970 BY DIGITAL EQUIPMENT CORPORATION



UNLESS OTHERWISE INDICATED:
 RESISTORS ARE 1/4W, 10%
 CAPACITORS ARE .01MFD, 100V, 20%
 DIODES ARE D664
 TRANSISTORS ARE DEC6534D

REV. A
 NUMBER G828-0-1
 SIZE CODE C CS

REV.	CHK'G NO.	REV.
1	10001	A
2	10001	A

DRN. ALLAN RITCEY	DATE 1-30-70
CHK'D J. L. L...	DATE 3-18-70
ENG. P. Sullivan	DATE 3-11-70
PROD. Y. Sullivan	DATE 5/27/70

TRANSISTOR & DIODE CONVERSION CHART			
	DEC	EIA	
D662	1N645	2N3568	SAME
D664	1N3606	DEC3715	2N3715
1/4M 6.8A25	1N4099	DEC2219-S	NONE
5.1 AZ1	NONE	DEC6534D	MPS6534
IN752A	NONE	2N4441	2N4441

digital		TITLE 6V REGULATOR CONTROL G828	
SIZE C	CODE CS	NUMBER G828-0-1	REV. A
EQUIPMENT CORPORATION		MAYNARD, MASSACHUSETTS	
PRINTED CIRCUIT REV. A			

DEC FORM NO. DRC 102

MS 549-P

5 DIST. 324.434.435 PINK 351