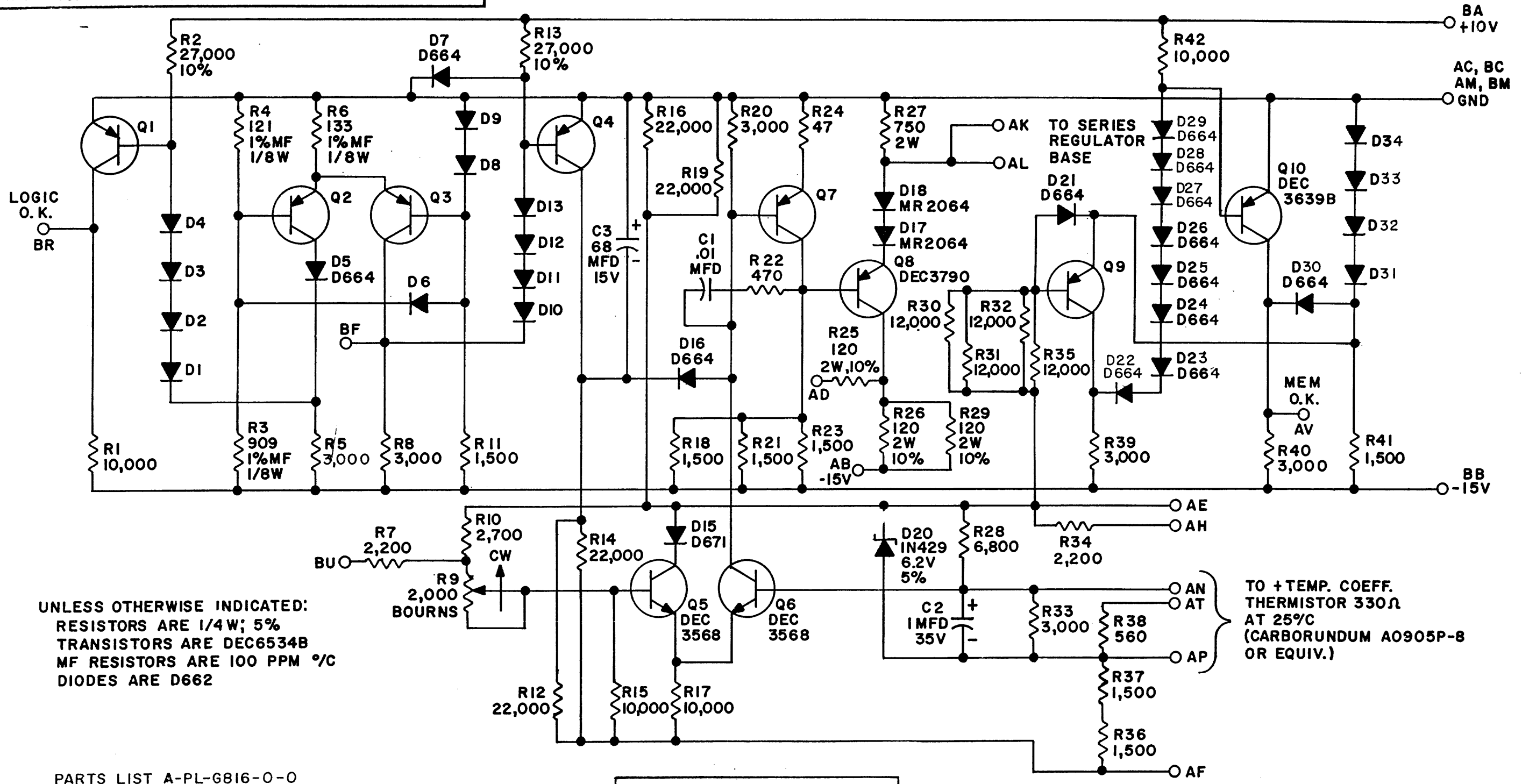


THIS SCHEMATIC IS FURNISHED ONLY FOR TEST AND MAINTENANCE PURPOSES. THE CIRCUITS ARE PROPRIETARY IN NATURE AND SHOULD BE TREATED ACCORDINGLY. COPYRIGHT 1967 BY DIGITAL EQUIPMENT CORPORATION



UNLESS OTHERWISE INDICATED:
 RESISTORS ARE 1/4W; 5%
 TRANSISTORS ARE DEC6534B
 MF RESISTORS ARE 100 PPM %C
 DIODES ARE D662

TO +TEMP. COEFF.
 THERMISTOR 330Ω
 AT 25°C
 (CARBORUNDUM A0905P-8
 OR EQUIV.)

PARTS LIST A-PL-G816-0-0

REVISIONS CHG NO. REV. 6941 A 00001 B	DRN <i>m. Valler</i>	DATE 9-5-67	TRANSISTOR & DIODE CONVERSION CHART				digital EQUIPMENT CORPORATION MAYNARD, MASSACHUSETTS	TITLE REGULATOR CONTROL G816			
	CHK'D <i>[Signature]</i>	DATE 9/7/67	DEC	EIA	DEC	EIA		SIZE B	CODE CS	NUMBER G816-0-1	REV. B
	ENG <i>P. Sullivan</i>	DATE 9/7/67	DEC3568	2N3568	D662	IN645		PRINTED CIRCUIT REV. B			
PROD.	DATE	DEC3639B	2N3639	D664	IN3606	DIST: 324 434 435 357					
		DEC3790	2N3790	D671	IN3653						
		DEC6534B	MPS6534	IN429	SAME						
		MR2064	IN4001								

