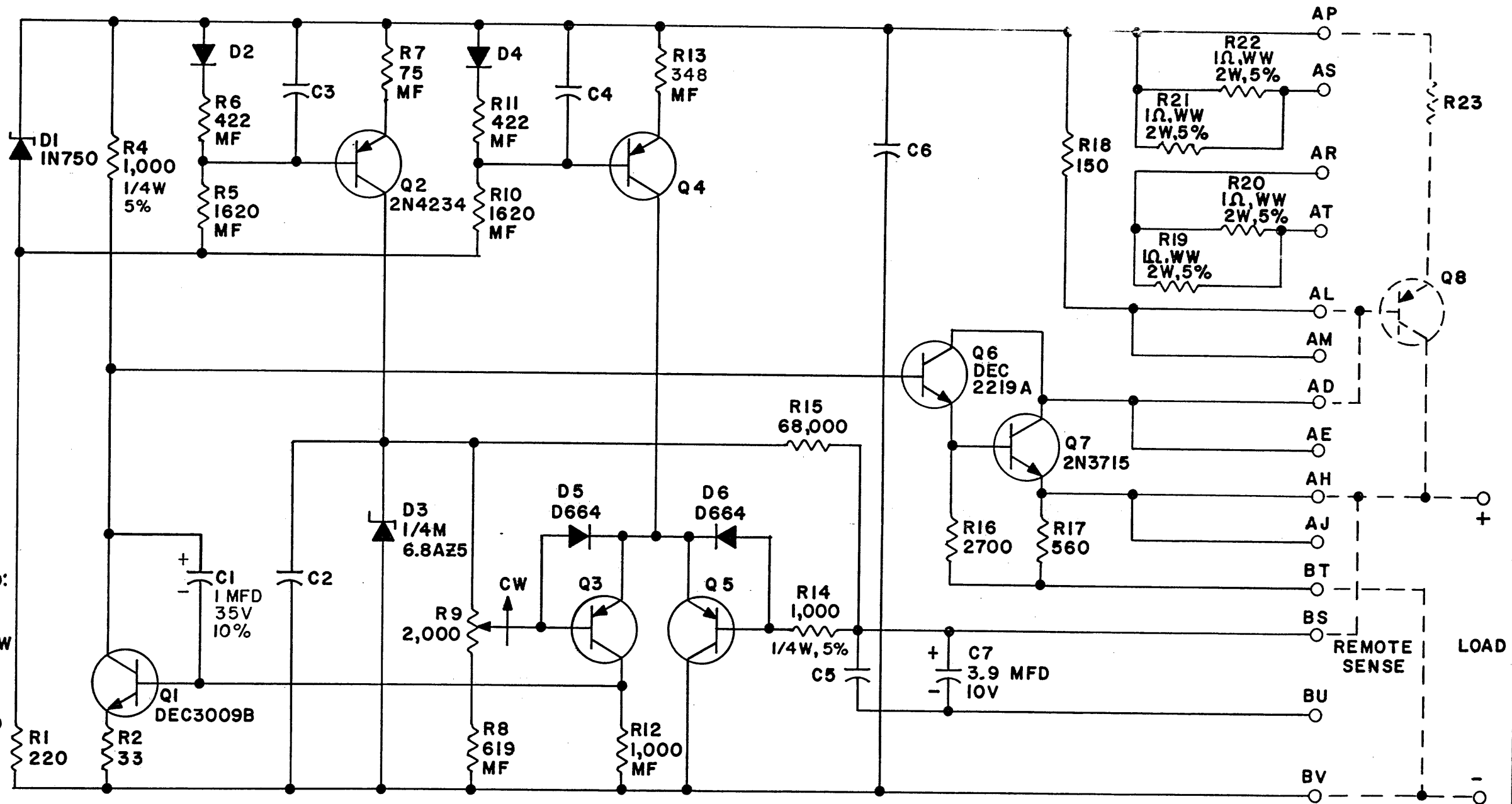


THIS SCHEMATIC IS FURNISHED ONLY FOR TEST AND MAINTENANCE PURPOSES. THE CIRCUITS ARE PROPRIETARY IN NATURE AND SHOULD BE TREATED ACCORDINGLY. COPYRIGHT 1967 BY DIGITAL EQUIPMENT CORPORATION



UNLESS OTHERWISE INDICATED:
 DIODES ARE D662
 RESISTORS ARE 1/4W, 10%
 MF RESISTORS ARE 1%, T₀, 1/8W
 CAPACITORS ARE .01 MFD,
 -0 +20%
 R9 IS A #275P
 TRANSISTORS ARE DEC6534D

PARTS LIST A-PL-G810-0-0

REVISIONS	CHK	CHG NO.	REV.
		6862	B
		7120	C

DRN. <i>M. Waller</i>	DATE 10-3-67
CHK'D <i>L.</i>	DATE 11/1/67
ENG. <i>D. J. Chen</i>	DATE
PROD. 1	DATE

TRANSISTOR & DIODE CONVERSION CHART			
DEC		EIA	
DEC3009B	2N3009	IN750	SAME
DEC6534D	NONE	1/4M 6.8AZ5	IN4099
2N4234	SAME	DEC2219A	2N2219
D662	IN645	2N3715	SAME
D664	IN3606		

digital
 EQUIPMENT CORPORATION
 MAYNARD, MASSACHUSETTS

TITLE		6V REGULATOR CONTROL G810	
SIZE	CODE	NUMBER	REV.
B	CS	G810-0-1	C
PRINTED CIRCUIT REV.			C