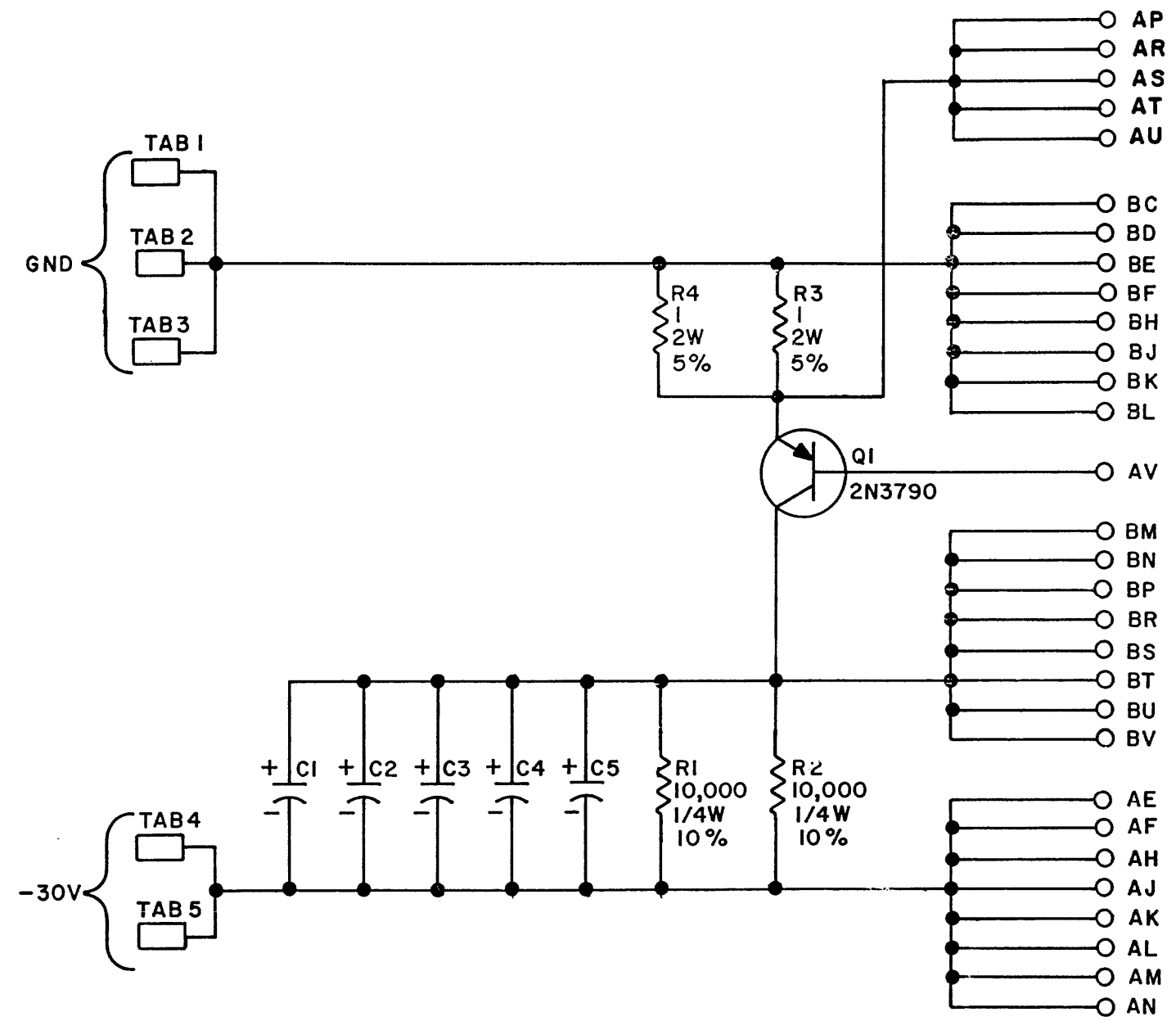


THIS SCHEMATIC IS FURNISHED ONLY FOR TEST AND MAINTENANCE PURPOSES. THE CIRCUITS ARE PROPRIETARY IN NATURE AND SHOULD BE TREATED ACCORDINGLY. COPYRIGHT 1966 BY DIGITAL EQUIPMENT CORPORATION



UNLESS OTHERWISE INDICATED:

- CAPACITORS ARE 20MFD 50V, -10+75%
- TABS ARE 250 SERIES FASTON TABS TYPE 60465-2 (AMP INC)
- Q1 IS MOUNTED ON HEAT SINK, WAKEFIELD TYPE NC-623-A USING AN ANODIZED ALUMINUM INSULATING WASHER & WAKEFIELD TYPE 120 THERMAL JOINT COMPOUND

PARTS LIST A-PL-G805-0-0

REV. NO.	CHK	CHG	NO.	REV.
B	5902	C	6468	
D		E		
F	7072	H	00002	

DRN. <i>[Signature]</i>	DATE <i>8/15/66</i>
CHK'D <i>[Signature]</i>	DATE <i>8/15/66</i>
ENG. <i>[Signature]</i>	DATE <i>8/15/66</i>
PROD. <i>[Signature]</i>	DATE

TRANSISTOR & DIODE CONVERSION CHART			
DEC	EIA	DEC	EIA
2N3790	SAME		

digital
EQUIPMENT CORPORATION
MAYNARD, MASSACHUSETTS

TITLE				NEGATIVE REGULATOR G805			
SIZE	CODE	NUMBER		REV.			
B	CS	G805-0-1		H			
PRINTED CIRCUIT REV.				E	F		