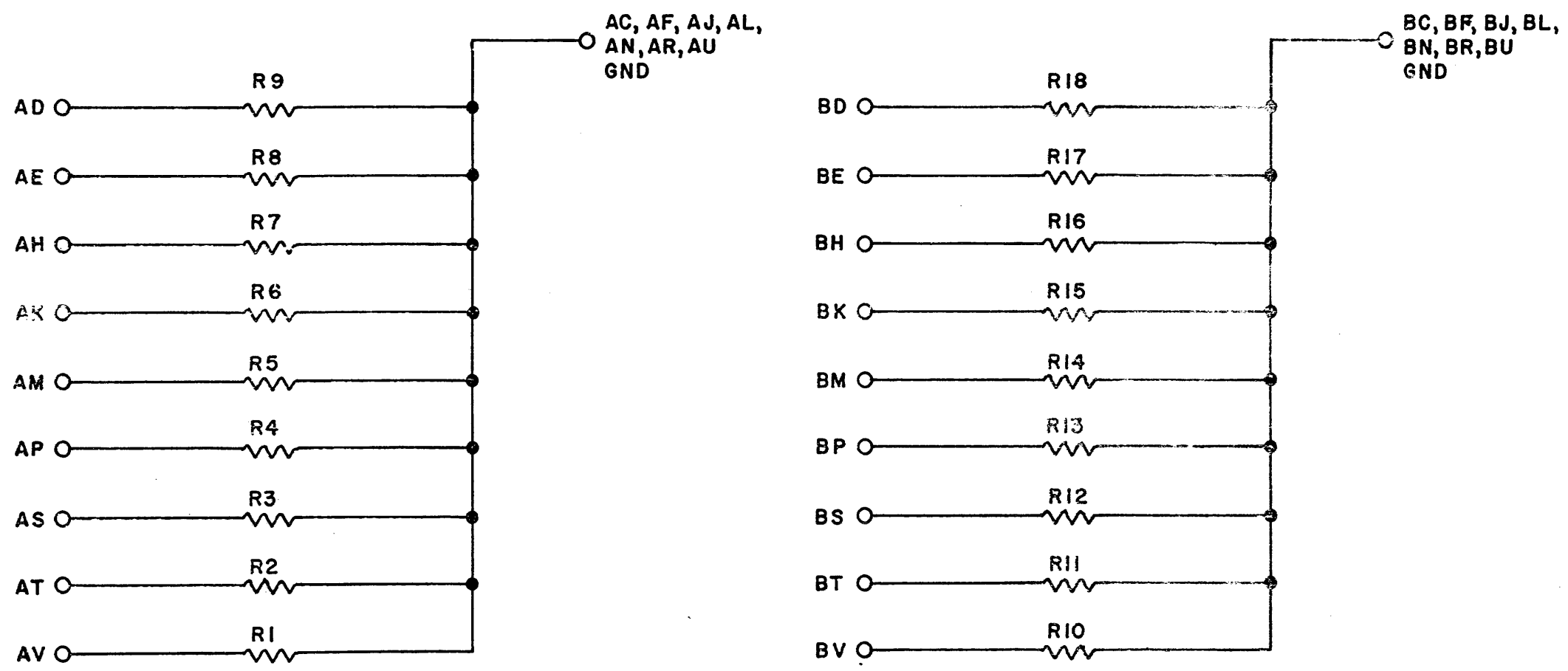


THIS SCHEMATIC IS FURNISHED ONLY FOR TEST AND MAINTENANCE PURPOSES. THE CIRCUITS ARE PROPRIETARY IN NATURE AND SHOULD BE TREATED ACCORDINGLY. COPYRIGHT 1967 BY DIGITAL EQUIPMENT CORPORATION



UNLESS OTHERWISE INDICATED:  
 RESISTORS ARE 100, 1/4 W, 5%



REVISIONS	CHK	CHG NO.	REV.		DRN.	DATE	TRANSISTOR & DIODE CONVERSION CHART				<b>digital</b> EQUIPMENT CORPORATION MAYNARD, MASSACHUSETTS	TITLE			
		00001	A		<i>M. Waller</i>	7-25-67	DEC	EIA	DEC	EIA		100Ω TERMINATOR G703			
					CHK'D	DATE						SIZE	CODE	NUMBER	REV.
					<i>allan kent</i>	25 Jul 67						B	CS	G703-0-1	A
				PROD.	DATE					PRINTED CIRCUIT REV. A B					