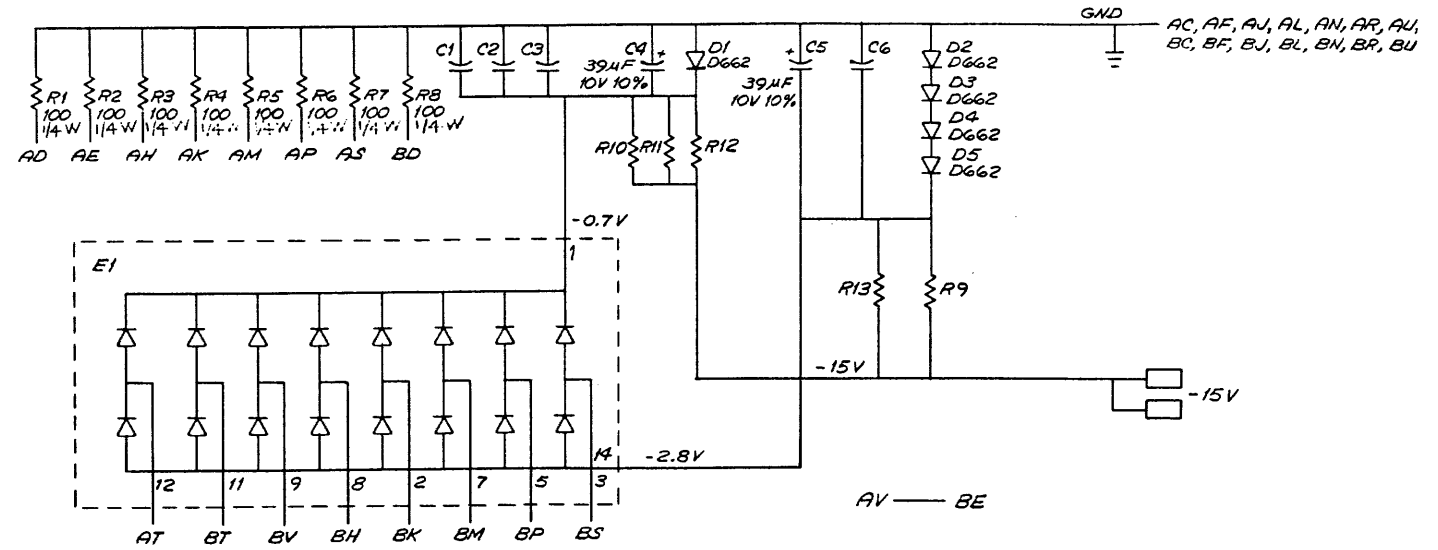
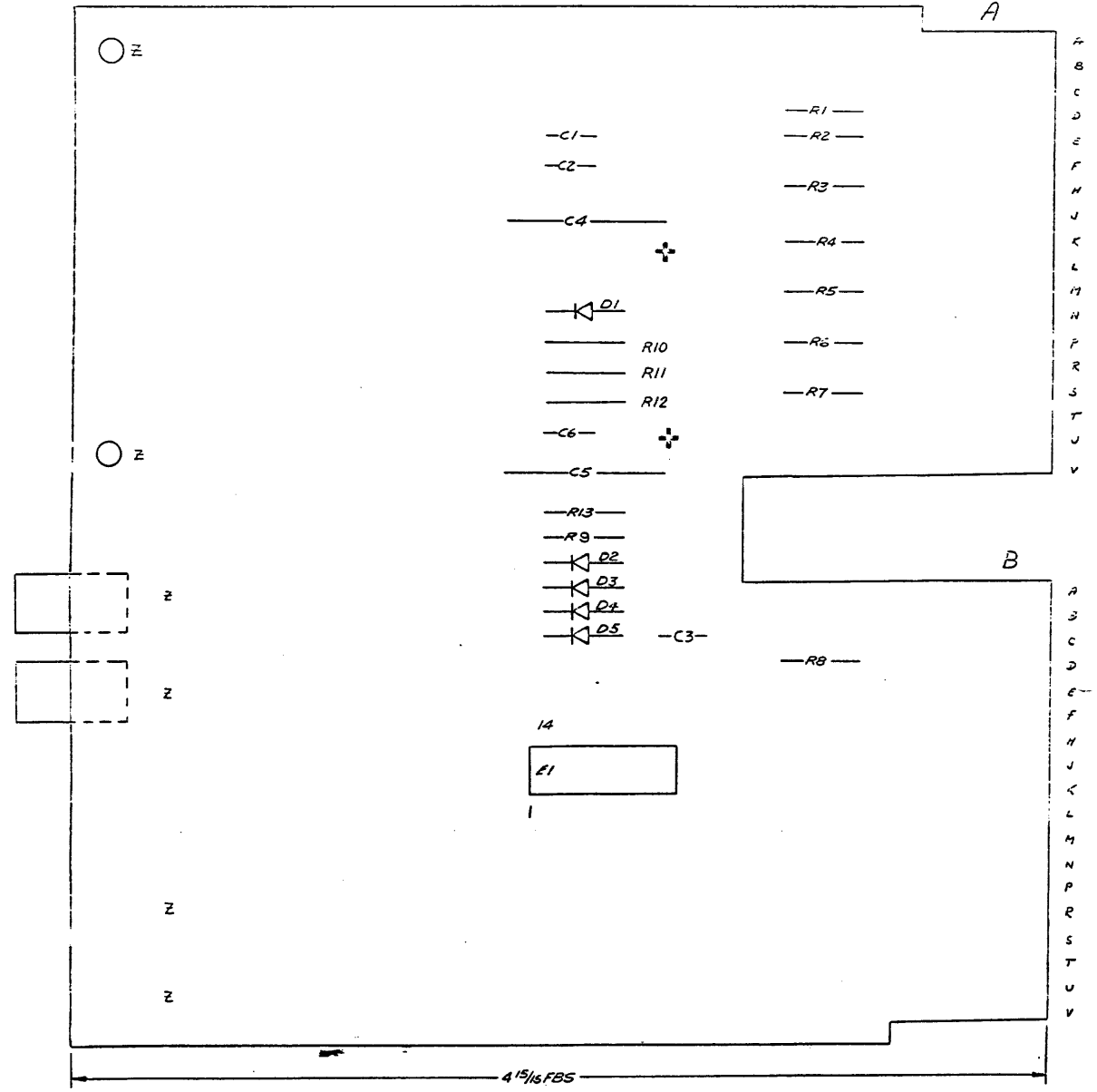


This drawing and specifications, herein, are the property of Digital Equipment Corporation and shall not be reproduced or copied or used in whole or in part as the basis for the manufacture or sale of items without written permission.

E 1-0-20029 2



UNLESS OTHERWISE NOTED:
 ALL RESISTORS ARE 1.5K ± 5% 1/4W 5%
 ALL CAPACITORS ARE .01uF ± 20% 100V DISC CERAMIC
 E1 IS A DEC 2501



QTY	REF DESIGNATION	DESCRIPTION	PART NO.	ITEM NO.
1	E1	IC DEC 2501	1910010	14
5	D1 THRU D5	DIODE D662	1100113	13
2	C4, C5	CAP 39uF 10V 10% TANT	1000076	12
4	C1, C2, C3, C6	CAP .01uF 100V 20% DISC	1001610	11
5	R9 THRU R13	RES 1.5K 1/4W 5%	1300391	10
8	R1 THRU R8	RES 100 1/4W 5%	1300229	9
2		EYELET G34-5 E.B. STIMPSON	9009000	8
1		HANDLE, FLIP-CHIP, GREEN	9003337-01	7
2		FASTON TAB 60145-1 AMP INC	9007112	6
2		EYELET G34-7 E.B. STIMPSON	9006732	5
		ETCHED CIRCUIT BOARD	5010043	4
1		MODULE ECO HISTORY	B-MH-G7002-0-6	3
		ASSY/DRILLING HOLE LAYOUT	D-AH-G7002-0-5	2
		X-Y COORDINATE HOLE LOCATION	K-CO-G7002-0-4	1

PARTS LIST

DRN	DATE	DATE	DATE	DATE	DATE	DATE	DATE	DATE	DATE		
DESIGNED	10/15/72	10/15/72	10/15/72	10/15/72	10/15/72	10/15/72	10/15/72	10/15/72	10/15/72		
CHKD	10/15/72	10/15/72	10/15/72	10/15/72	10/15/72	10/15/72	10/15/72	10/15/72	10/15/72		
ORIGINATED	A										
REVISIONS											
DEC NO.	EIA NO.	DEC NO.	EIA NO.	DEC NO.	EIA NO.	DEC NO.	EIA NO.	DEC NO.	EIA NO.		
SEMICONDUCTOR CONVERSION CHART				PDP-10				SCALE		NOVE	
SHEET				1 OF 1				DIST.			

digital EQUIPMENT CORPORATION
 MAYNARD, MASSACHUSETTS

TITLE
 I/O BUS TERMINATOR #3

SIZE CODE NUMBER REV.
 DCS G7002-0-1 B

REV. B
 NUMBER G7002-0-1
 SIZE CODE DCS