



RK05J
Engineering Drawings
Digital Equipment Corporation

The material herein is for information purposes only and is subject to change without notice. Digital Equipment Corporation assumes no responsibility for any errors which may appear herein.

These drawings and specifications herein are the property of Digital Equipment Corporation and shall not be reproduced or copied or used in whole or in part as the basis for the manufacture or sale of items without written permission.
Copyright © 1975, Digital Equipment Corporation



EQUIPMENT CORPORATION
DIGITAL

DRAWING DIRECTORY

"THIS DRAWING AND SPECIFICATIONS, HEREIN, ARE THE PROPERTY OF DIGITAL EQUIPMENT CORPORATION AND SHALL NOT BE REPRODUCED OR COPIED OR USED IN WHOLE OR IN PART AS THE BASIS FOR THE MANUFACTURE OR SALE OF ITEMS WITHOUT WRITTEN PERMISSION. COPYRIGHT © DIGITAL EQUIPMENT CORPORATION"

CUSTOMER PRINT SET INDEX

THIS IS PRINT SET

DRAWING DIRECTORY

SEQUENCE

SEQUENCE

77

77

77

MFG. PRINT SET

MODULE UTILIZATION LIST
READ/WRITE

INDEX & SECTOR
CYLINDER ADDRESS & DIFFERENCE
CONTROL & INTERLOCK

POSITION SERVO PREAMP
SERVO POWER AMP CIRCUIT
SERVO POWER AMP
CONTROL PANEL CIRCUIT
CONTROL PANEL

RELAY BOARD CIRCUIT
DECAPACK MOTOR RELAYS

CHASSIS WIRING
ACCESSORY LIST

POWER SUPPLY (H743)
WIRE LIST

B-DD-RK05J-0

SHEET #1 ONLY

C-MU-RK05-0-2

D-CS-G180-0-1

D-CS-M7680-0-1

D-CS-M7681-0-1

D-CS-M7701-0-1

D-CS-G938-0-1

D-CS-H634-0-1

E-UA-H604-0-0

D-CS-5409698-0-1

E-IA-5409574-0-1

D-CS-5409574-0-1

E-IA-5409574-0-0

D-RD-RK05-0-1

A-AL-RK05-0-17

B-DD-H743-0

K-WL-RK05-0-3

A-PL-RK05-0-2

B-DD-RK05J-T

D-UA-RK05J-0-0

A-PL-RK05J-0-0

D-AD-7008696-0-0

D-AD-7008702-0-0

A-PL-7008702-0-0

B-DD-H743-0

A-WT-7008696-0

B-MD-7419064-0-0

MODULE UTILIZATION (PL)

RK05J TESTER

DECAPACK ASSY

DECAPACK ASSY (PL)

WIRED ASSY

LINEAR POSITIONER ASSY

LINEAR POSITIONER ASSY (PL)

H743 POWER SUPPLY

REVISION STATUS

SPACER

PRINT SET

0

1

2

3

4

5

6

7

8

9

0

1

2

3

4

5

6

7

8

9

0

1

2

3

4

5

6

7

8

9

0

UNIT VARIATIONS

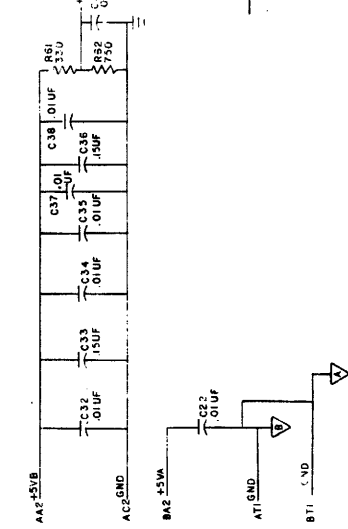
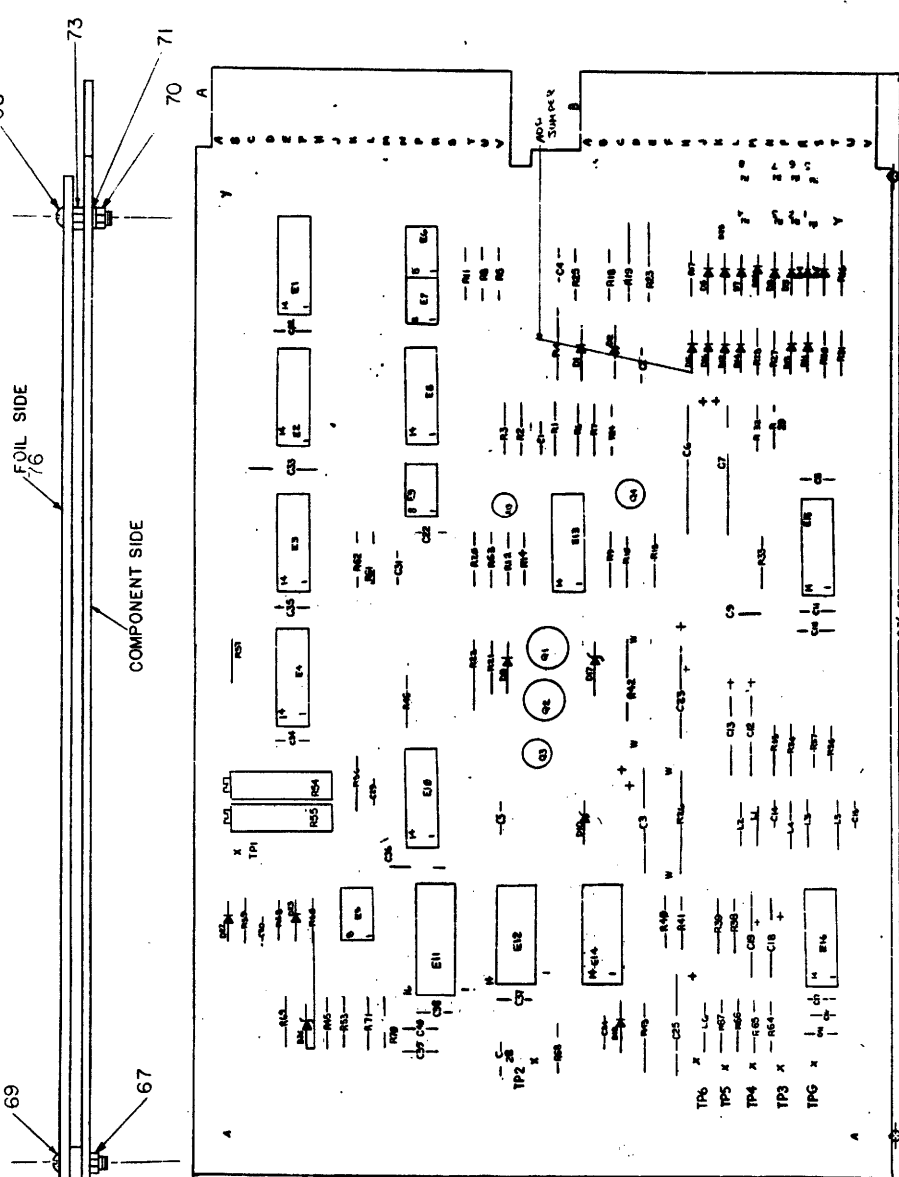
VAR	TITLE	PRINT SET
RK05J-AA	DECAPACK 115V 60HZ	X
RK05J-AB	DECAPACK 230V 60HZ	X
RK05J-BA	DECAPACK 115V 50HZ	X
RK05J-BB	DECAPACK 230V 50HZ	X
RK05J-CA	RK05J-AA W. BEZEL FOR H9500	X
RK05J-CB	CAB 115V 60HZ	X
RK05J-CC	RK05J-AB W. BEZEL FOR H9500	X
RK05J-CD	CAB 230V 60HZ	X
RK05J-DE	RK05J-BA W. BEZEL FOR H9500	X
RK05J-DF	CAB 115V 50HZ	X
RK05J-DH	RK05J-BB W. BEZEL FOR H9500	X
RK05J-DJ	CAB 230V 50HZ	X
	RK05J-AA H960 861 PWR CONTROL	
	RK05J-AB H960 861	
	RK05J-BA H960 861	
	RK05J-BB H960 861	

REV	CHG. NO.	DATE	DESCRIPTION	DATE	TITLE	REV
1	0	5/72	J. WALSH	5/72	DECAPACK ASSY	AZ
2	0	5/72	A. KARLSBERG	5/72		
3	0	5/72	PROJ ENG.	5/72		
4	0	5/72	J. FLEMING	5/72		
5	0	5/72	J. FLEMING	5/72		
6	0	5/72	DRIN.	5/72		

1. DIMENSIONS AND SPECIFICATIONS SHOWN ARE THE
 2. LIST OF PARTS AND COMPONENTS CONTAINED HEREIN SHALL
 3. BE THE BASIS FOR THE MANUFACTURE AND SALE OF
 4. THIS PRODUCT BY THE MANUFACTURER OR HIS
 5. AUTHORIZED REPRESENTATIVE.
 6. DATE: 10/19/74

NOTES:

NOTE:
 DO NOT INSERT
 HANDLE HOLE EYELETS
 ON OUTSIDE HANDLE
 HOLES: (2 PLCS)



QTY	REF. DESIGNATION	DESCRIPTION	PART NO.	ITEM NO.
60	RES 330 1/4W 5%	RES 330 1/4W 5%	150123	3
70	RES 150 1/4W 5%	RES 150 1/4W 5%	150229	4
71	RES 100 1/4W 5%	RES 100 1/4W 5%	150229	5
72	NOISE SHIELD	NOISE SHIELD	300893-01	6
73	HANDLE FLIP CHIP-GREEN	HANDLE FLIP CHIP-GREEN	300779	7
74	SWAGE LUG	SWAGE LUG	300725	8
75	HEX NUT NYLON-2-56	HEX NUT NYLON-2-56	300678	9
76	EYELET #684-7	EYELET #684-7	300678	10
77	INTERNAL LOCK WASHER #2-56	INTERNAL LOCK WASHER #2-56	300663	11
78	HEX NUT #2-56	HEX NUT #2-56	300663	12
79	SCREW #2/0X3/8	SCREW #2/0X3/8	300601-4	13
80	SCREW #2/0X3/8	SCREW #2/0X3/8	300601-1	14
81	KEP NUT 4-7/0	KEP NUT 4-7/0	300657	15

QTY	REF. DESIGNATION	DESCRIPTION	PART NO.	ITEM NO.
1	DIODE IN 753A (V ZENER)	DIODE IN 753A (V ZENER)	102421	16
1	CAP 15UF 50V 10% CAP	CAP 15UF 50V 10% CAP	102031	17
1	CAP 10UF 50V 10% CAP	CAP 10UF 50V 10% CAP	102031	18
1	CAP 10UF 100V 5% DM	CAP 10UF 100V 5% DM	100004	19
1	CAP 470PF 100V 5% DM	CAP 470PF 100V 5% DM	100004	20
1	CAP 150PF 100V 5% DM	CAP 150PF 100V 5% DM	100004	21
1	CAP 10UF 100V 5% DM	CAP 10UF 100V 5% DM	100004	22
1	CAP 47PF 100V 5% DM	CAP 47PF 100V 5% DM	100004	23
1	CAP 15PF 100V 5% DM	CAP 15PF 100V 5% DM	100004	24
1	ETCHED CIRCUIT BOARD	ETCHED CIRCUIT BOARD	300413	25
1	MODULE FOR HISTORY	MODULE FOR HISTORY	8-WK-0100-0-3	26
1	ASSY DRILLING HOLE LAYOUT	ASSY DRILLING HOLE LAYOUT	8-WK-0100-0-3	27
1	R-T COORDINATE HOLE LOCATION	R-T COORDINATE HOLE LOCATION	8-WK-0100-0-3	28

DEC. PACK READ/
 WRITE

ETCH BOARD REV. 1
 1 2

SEMICONDUCTOR CONVERSION CHART
 DEC. NO. 1N3653
 BIN NO. IN3653
 DEC. NO. D672
 BIN NO. MP96534

DEC B4C
 DEC 7.5-52
 IC TYPE GND
 GND AND SV ARE USUALLY PIN 7 AND 14
 RESPECTIVELY EXCEPTIONS ARE STATED ABOVE
 IC PIN LOCATIONS