

digital

PT08-B

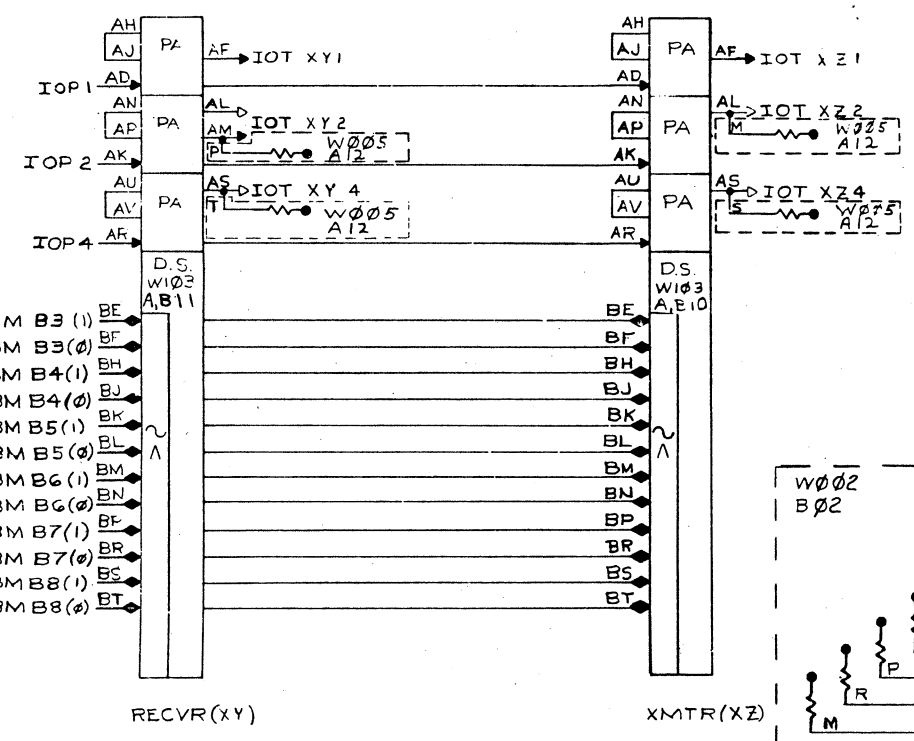
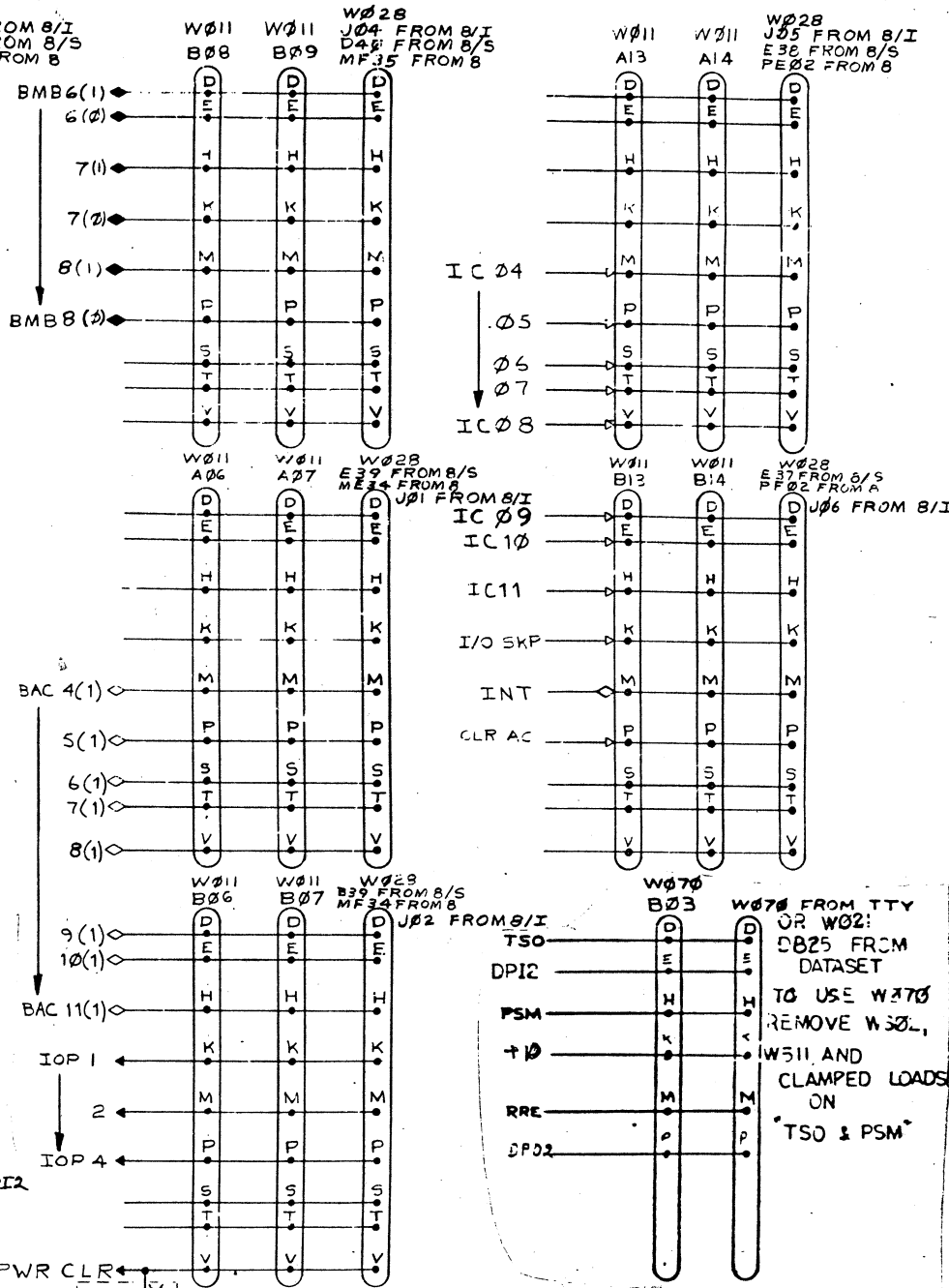
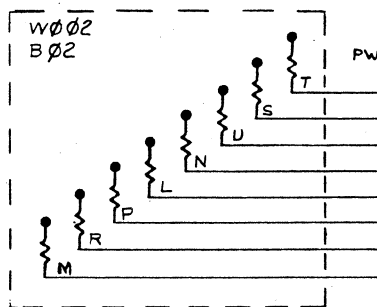
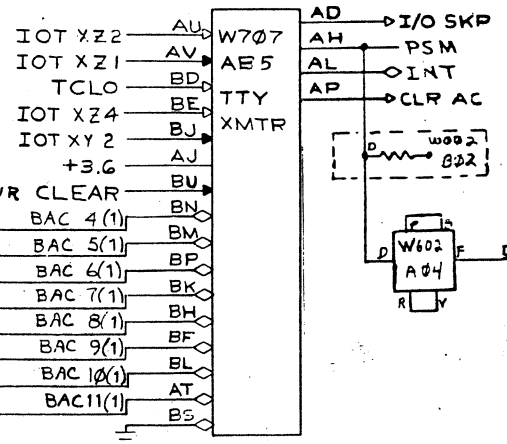
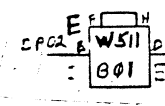
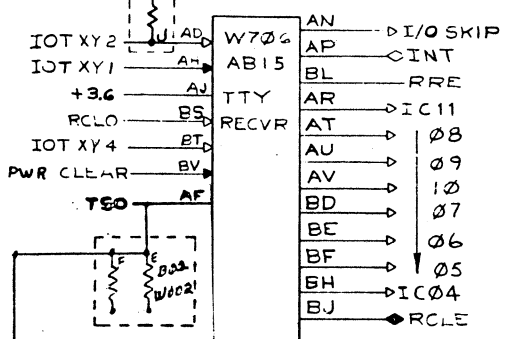
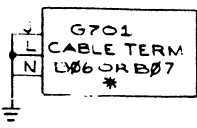
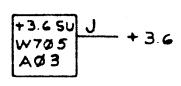
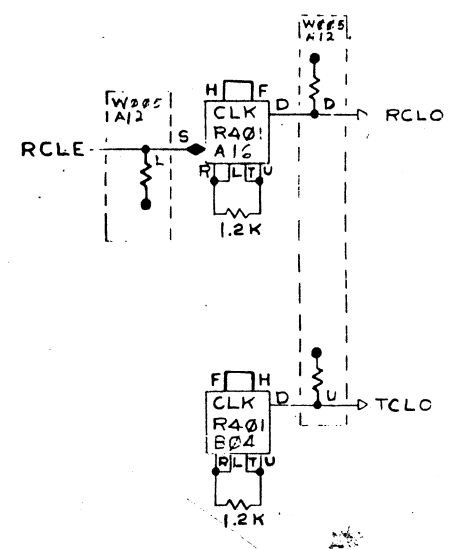
Engineering Drawings

Digital Equipment Corporation

The material herein is for information purposes only and is subject to change without notice. Digital Equipment Corporation assumes no responsibility for any errors which may appear herein.

These drawings and specifications herein are the property of Digital Equipment Corporation and shall not be reproduced or copied or used in whole or in part as the basis for the manufacture or sale of items without written permission.
Copyright © 1975, Digital Equipment Corporation

This drawing and specifications, herein, are the property of Digital Equipment Corporation and shall not be reproduced or copied or used in whole or in part as the basis for the manufacture or sale of items without written permission.



** NOTE 3
DEVICE SELECTOR CODE CAN BE SELECTED BY THE PURCHASER FROM THE FOLLOWING POSSIBILITIES

* NOTE 2
THIS MODULE CAN HAVE EITHER LOCATION DEPENDING ON WHICH OF THESE TWO SLOTS THE I/O CABLE HAS BEEN INSERTED. ON PDP-8 OR 8/S COMPUTERS WITH OPTIONS OTHER THAN THE PT08, THE G701 MUST BE INSERTED IN THE I/O DEVICE AT THE END OF THE I/O CABLES IN THE CABLE SLOT THAT PROVIDES I/O BUS EXTENSION FOR IOP'S 1,2,4

NOTE 4:
TO ALLOW IOP4 TO CLEAR THE KEYBOARD FLAG, REFER TO ECO# PT08A-00001

	RECVR	XMTR	LINE
XY	XZ		
40	41		1
42	43		2
44	45		3
46	47		4
11	12		5
PDP 8/S ONLY	03	04	1

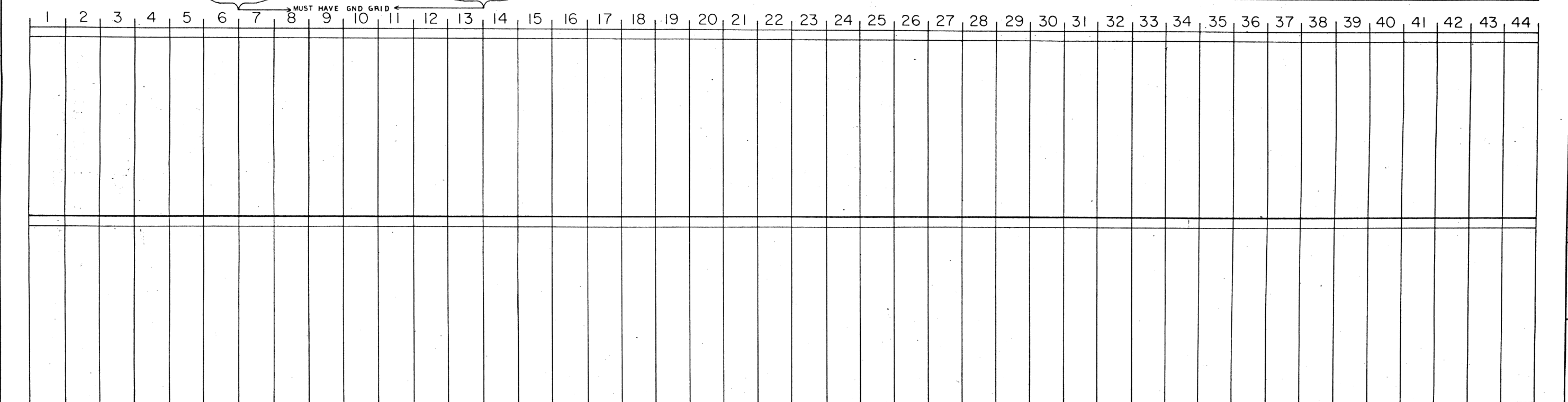
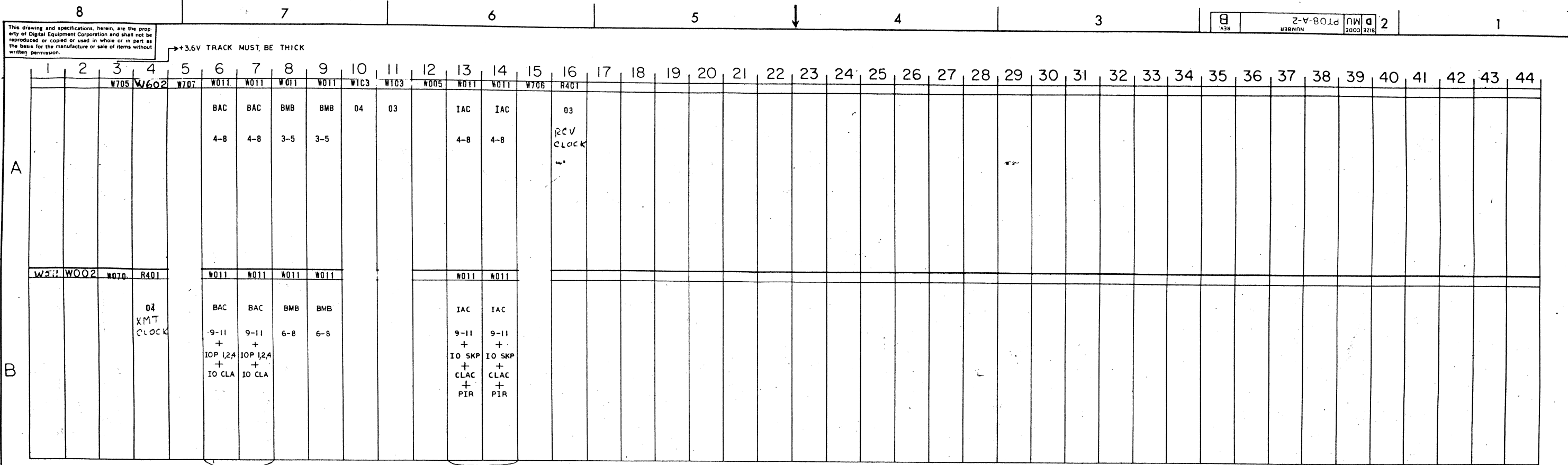
NOTE 1. ALL CABLE PINS C, F, J, L, N, R, U ARE GROUNDED

REV.	CHG.	NO.	DATE	BY
A	ECO # 3	1-3-67		
B	ECO # 4	1-10-67		
C	ECO # 15	4-26-67		
D	ECO # 164	8-3-67		

QTY.	DESCRIPTION	PART NO.	ITEM NO.
PARTS LIST			
UNLESS OTHERWISE SPECIFIED			
DIMENSION IN INCHES			
TOLERANCES			
DECIMALS	FRACTIONS	ANGLES	
± .005	± 1/64	± 0°30'	
FINAL SURFACE QUALITY REMOVE BURRS AND BREAK SHARP CORNERS			
MATERIAL			
FINISH			
DRN. DATE			
CHK'D. DATE			
ENG. DATE			
PROJ. ENG. DATE			
DATE			
FIRST USED ON			
D-UA-PT08-A-0			
SCALE			
SHEET 1 OF 1			

digital EQUIPMENT CORPORATION
TELETYPE CONT
PT08 LOGIC

PASTE-ONS SHOW "F" OPTION



REV.	CHG. NO.	CHK.	DESCRIPTION
A	ECO #4	Review	EXTENSIVE CHANGES
B	ECO #15	Review	ECO #15

UNLESS OTHERWISE SPECIFIED	DRN. <i>R. Kicketts</i>	DATE 11/11/66
UNLESS OTHERWISE SPECIFIED	CHKD. <i>R. Kicketts</i>	DATE 12/2/66
DIMENSION IN INCHES	ENG. <i>R. Kicketts</i>	DATE 12/5/66
TOLERANCES	PROJ. ENG. <i>R. Kicketts</i>	DATE 12/5/66
DECIMALS ± .005	PROD. <i>R. Kicketts</i>	DATE 12/5/66
FRACTIONS ± 1/64		
ANGLES ± 0'30"		
FINAL SURFACE QUALITY		
REMOVE BURRS AND BREAK SHARP CORNERS		
MATERIAL	FIRST USED ON	D-UA-PT08-A-0
FINISH	SCALE	
	SHEET	1 OF 1

digital EQUIPMENT CORPORATION
MAYNARD, MASSACHUSETTS

TITLE: **MODULE LOCATION TYPE PT08**

SIZE CODE: **DMU PT08-A-2** NUMBER: **B**

DIST.:

