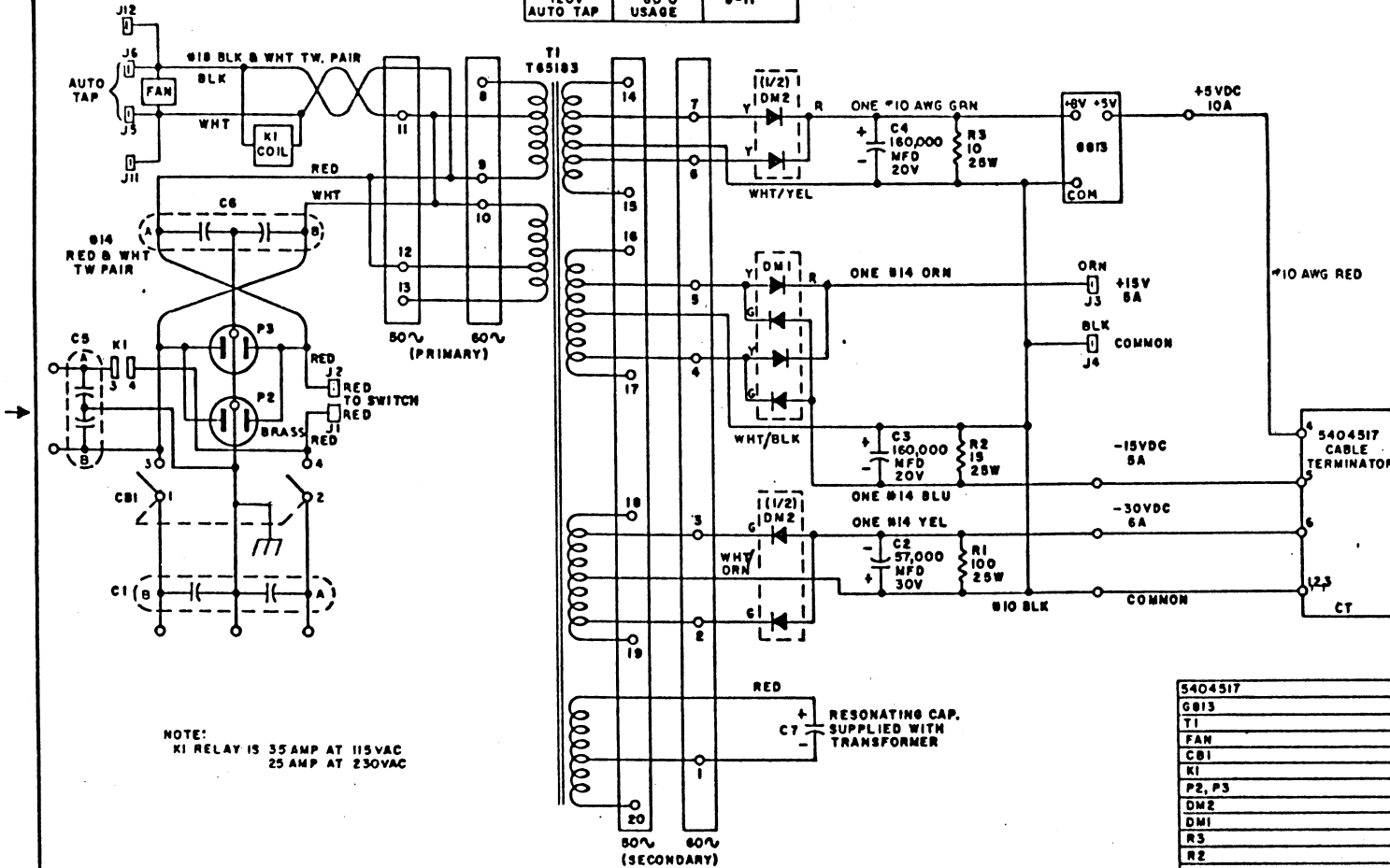


THIS SCHEMATIC IS UNFINISHED ONLY FOR TEST AND MAINTENANCE PURPOSES. THE CIRCUITS ARE PROVISIONAL IN NATURE AND SHOULD BE TREATED ACCORDINGLY. COPYRIGHT 1967 BY DIGITAL EQUIPMENT CORPORATION

| INPUT VOLTAGE  | JUMPERS         | LINE CONNECTIONS |
|----------------|-----------------|------------------|
| 100V 50 $\sim$ | 12-9, 10-11     | 9-10             |
| 115V 50 $\sim$ | 9-13, 8-10      | 9-10             |
| 200V 50 $\sim$ | 11-12           | 9-10             |
| 215V 50 $\sim$ | 8-12            | 9-10             |
| 230V 50 $\sim$ | 8-13            | 9-10             |
| 120V 60 $\sim$ | 9-12, 10-11     | 9-10             |
| 240V 60 $\sim$ | 11-12           | 9-10             |
| 115V AUTO TAP  | 80 $\sim$ USAGE | 8-9              |
| 120V AUTO TAP  | 80 $\sim$ USAGE | 9-11             |



| REFERENCE DESIGNATION | DESCRIPTION                 | PART NO.     |
|-----------------------|-----------------------------|--------------|
| 5404517               | CABLE TERMINATOR            | 5004516      |
| G813                  | REGULATOR CONTROL           | 5004433      |
| T1                    | TRANSFORMER T-65183         | 1605651      |
| FAN                   | FAN-BOXER 50/60 CYCLE       | 1205761      |
| CB1                   | CKT. BREAKER 250VAC 60CYCLE | 1201218      |
| K1                    | RELAY EM-1                  | 1202200      |
| P2, P3                | PLUG #160-5 AMPHENOL        | 1201252      |
| DM2                   | RECTIFIER DM2 50A10102      | 1103397      |
| DM1                   | RECTIFIER DM1               | 1102933      |
| R3                    | RES. 10 25W 10% WW          | 1300173      |
| R2                    | RES. 15 25W 5% WW           | 1300181      |
| R1                    | RES. 100 25W 5% WW          | 1302888      |
| C3, C4                | CAP. 160,000 MFD 20V        | 1004874      |
| C2                    | CAP. 57,000 MFD 50V         | 1004875      |
| C1, C3, C6            | CAP. 1MFD 600VDC WCAF-001   | 1002153      |
| PARTS LIST            |                             | A-PL-704-O-O |

| REVISIONS | DATE    | BY       | CHKD | APP'D |
|-----------|---------|----------|------|-------|
| 1         | 7/20/67 | W. B. B. |      |       |
| 2         | 7/20/67 | W. B. B. |      |       |
| 3         | 7/20/67 | W. B. B. |      |       |
| 4         | 7/20/67 | W. B. B. |      |       |

| DATE    | BY       | CHKD | APP'D |
|---------|----------|------|-------|
| 7/20/67 | W. B. B. |      |       |
| 7/20/67 | W. B. B. |      |       |
| 7/20/67 | W. B. B. |      |       |

| TRANSISTOR & DIODE CONVERSION CHART |     |     |     |
|-------------------------------------|-----|-----|-----|
| DEC                                 | EMA | DEC | EMA |
|                                     |     |     |     |
|                                     |     |     |     |



| TITLE                    |      |         |      |
|--------------------------|------|---------|------|
| PDP-8 I POWER SUPPLY 704 |      |         |      |
| SIZE                     | CODE | NUMBER  | REV. |
| C                        | CS   | 704-0-1 | 1    |

PINK

REV. CODE NUMBER  
C CS 704-0-1