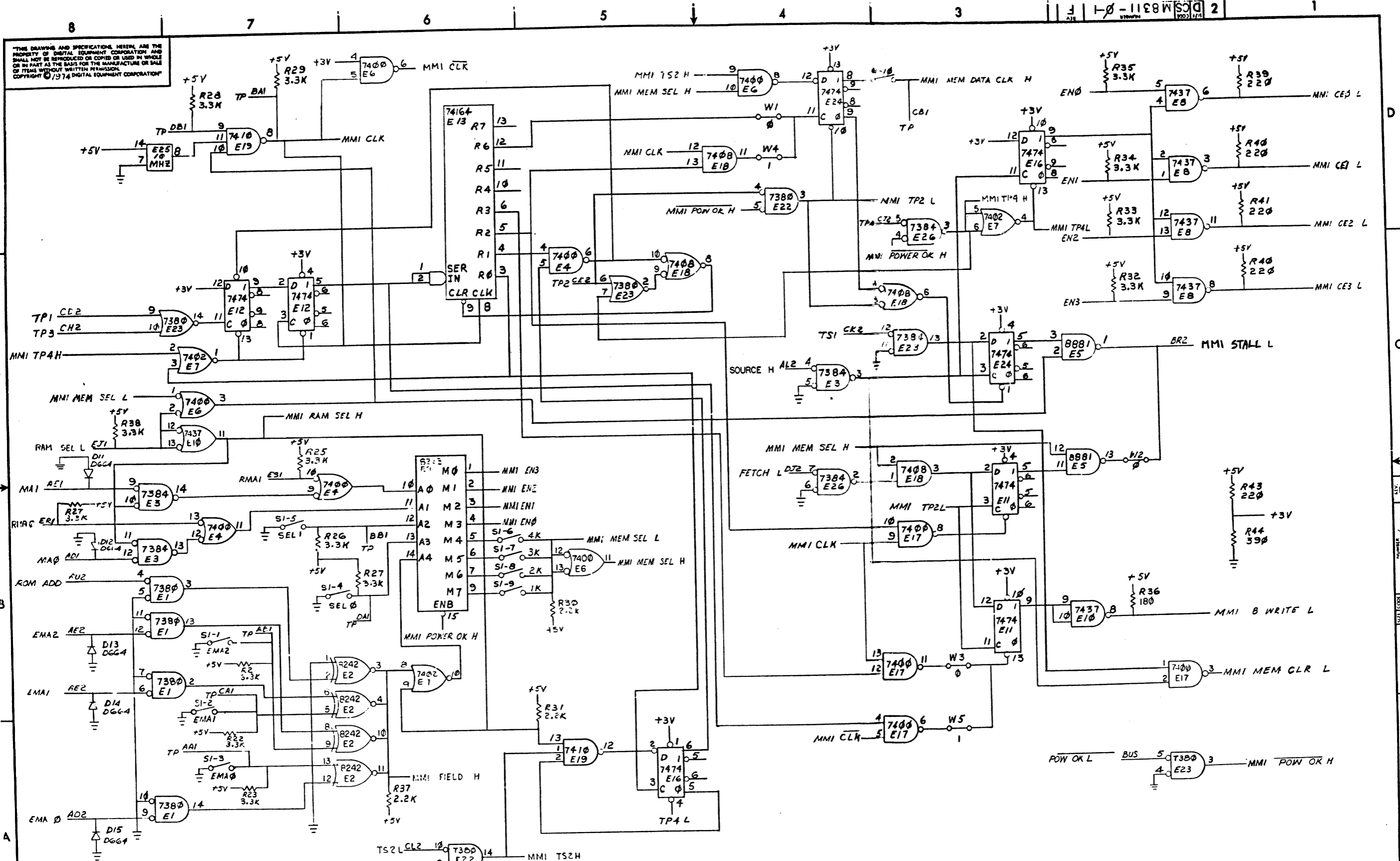


DIGITAL EQUIPMENT CORPORATION MAYNARD, MASSACHUSETTS		DATE 11/19/74			
ENGINEERING SPECIFICATION					
TITLE MS8-A FIELD INSTALLATION & ACCEPTANCE PROCEDURE					
REVISIONS					
REV	DESCRIPTION	CHG NO	ORIG DATE	APPD BY	DATE

ENG *John Hill* 20 Dec 74 APPD *J.C.H.*
 DEC FORM NO. DRA 107

ENGINEERING SPECIFICATION		CONTINUATION SHEET	
TITLE MS8-A FIELD INSTALLATION & ACCEPTANCE PROCEDURE			
I GENERAL			
This procedure defines the performance standards required of an MS8A* RAM memory.			
NOTE: If MS8A was shipped as part of a PDP-8A system, proceed to installation procedure.			
*MS8AA (M8311YA) 1K Semiconductor Random Access Memory MS8AB (M8311YB) 2K Semiconductor Random Access Memory MS8AD (M8311YD) 4K Semiconductor Random Access Memory			
II INSPECTION			
After removing the MS8A from packing material, inspect the module for the following:			
1. Check for loose or broken components.			
2. Inventory software against software list, if ordered.			
3. Inventory prints against shipping list, if ordered.			
4. Inventory hardware against shipping list.			
III INSTALLATION PROCEDURE			
Install the equipment using the following procedure:			
1. Set up switches as indicated below for the particular variation being accepted.			
M8311YA 1K	M8311YA	M8311YB	M8311YD
M8311YB 2K	ON	ON	ON
M8311YD 4K	ON	ON	ON
SI-1	ON	ON	ON
SI-2	ON	ON	ON
SI-3	ON	ON	ON
SI-4	ON	ON	ON
SI-5	ON	ON	ON
SI-6	OFF	OFF	ON
SI-7	OFF	OFF	OFF
SI-8	OFF	ON	OFF
SI-9	ON	OFF	OFF
SI-10	ON	ON	ON
SI-11	ON	ON	ST Add
SI-12	ON	ON	ST Add
SI-13	ON	ON	ON
SI-14	ON	ON	ON
SI-15	ON	ON	ON
SI-16	OFF	OFF	ON
SI-17	OFF	OFF	OFF
SI-18	OFF	ON	OFF
SI-19	ON	OFF	OFF
SI-20	ON	ON	ON
SI-21	ON	ON	Normally On
SI-22	ON	ON	Normally On
SI-23	ON	ON	Normally On
SI-24	ON	ON	Normally On
SI-25	ON	ON	Normally On
SI-26	ON	ON	Normally On
SI-27	ON	ON	Normally On
SI-28	ON	ON	Normally On
SI-29	ON	ON	Normally On
SI-30	ON	ON	Normally On
SI-31	ON	ON	Normally On
SI-32	ON	ON	Normally On
SI-33	ON	ON	Normally On
SI-34	ON	ON	Normally On
SI-35	ON	ON	Normally On
SI-36	ON	ON	Normally On
SI-37	ON	ON	Normally On
SI-38	ON	ON	Normally On
SI-39	ON	ON	Normally On
SI-40	ON	ON	Normally On
SI-41	ON	ON	Normally On
SI-42	ON	ON	Normally On
SI-43	ON	ON	Normally On
SI-44	ON	ON	Normally On
SI-45	ON	ON	Normally On
SI-46	ON	ON	Normally On
SI-47	ON	ON	Normally On
SI-48	ON	ON	Normally On
SI-49	ON	ON	Normally On
SI-50	ON	ON	Normally On
SI-51	ON	ON	Normally On
SI-52	ON	ON	Normally On
SI-53	ON	ON	Normally On
SI-54	ON	ON	Normally On
SI-55	ON	ON	Normally On
SI-56	ON	ON	Normally On
SI-57	ON	ON	Normally On
SI-58	ON	ON	Normally On
SI-59	ON	ON	Normally On
SI-60	ON	ON	Normally On
SI-61	ON	ON	Normally On
SI-62	ON	ON	Normally On
SI-63	ON	ON	Normally On
SI-64	ON	ON	Normally On
SI-65	ON	ON	Normally On
SI-66	ON	ON	Normally On
SI-67	ON	ON	Normally On
SI-68	ON	ON	Normally On
SI-69	ON	ON	Normally On
SI-70	ON	ON	Normally On
SI-71	ON	ON	Normally On
SI-72	ON	ON	Normally On
SI-73	ON	ON	Normally On
SI-74	ON	ON	Normally On
SI-75	ON	ON	Normally On
SI-76	ON	ON	Normally On
SI-77	ON	ON	Normally On
SI-78	ON	ON	Normally On
SI-79	ON	ON	Normally On
SI-80	ON	ON	Normally On
SI-81	ON	ON	Normally On
SI-82	ON	ON	Normally On
SI-83	ON	ON	Normally On
SI-84	ON	ON	Normally On
SI-85	ON	ON	Normally On
SI-86	ON	ON	Normally On
SI-87	ON	ON	Normally On
SI-88	ON	ON	Normally On
SI-89	ON	ON	Normally On
SI-90	ON	ON	Normally On
SI-91	ON	ON	Normally On
SI-92	ON	ON	Normally On
SI-93	ON	ON	Normally On
SI-94	ON	ON	Normally On
SI-95	ON	ON	Normally On
SI-96	ON	ON	Normally On
SI-97	ON	ON	Normally On
SI-98	ON	ON	Normally On
SI-99	ON	ON	Normally On
SI-100	ON	ON	Normally On
SI-101	ON	ON	Normally On
SI-102	ON	ON	Normally On
SI-103	ON	ON	Normally On
SI-104	ON	ON	Normally On
SI-105	ON	ON	Normally On
SI-106	ON	ON	Normally On
SI-107	ON	ON	Normally On
SI-108	ON	ON	Normally On
SI-109	ON	ON	Normally On
SI-110	ON	ON	Normally On
SI-111	ON	ON	Normally On
SI-112	ON	ON	Normally On
SI-113	ON	ON	Normally On
SI-114	ON	ON	Normally On
SI-115	ON	ON	Normally On
SI-116	ON	ON	Normally On
SI-117	ON	ON	Normally On
SI-118	ON	ON	Normally On
SI-119	ON	ON	Normally On
SI-120	ON	ON	Normally On
SI-121	ON	ON	Normally On
SI-122	ON	ON	Normally On
SI-123	ON	ON	Normally On
SI-124	ON	ON	Normally On
SI-125	ON	ON	Normally On
SI-126	ON	ON	Normally On
SI-127	ON	ON	Normally On
SI-128	ON	ON	Normally On
SI-129	ON	ON	Normally On
SI-130	ON	ON	Normally On
SI-131	ON	ON	Normally On
SI-132	ON	ON	Normally On
SI-133	ON	ON	Normally On
SI-134	ON	ON	Normally On
SI-135	ON	ON	Normally On
SI-136	ON	ON	Normally On
SI-137	ON	ON	Normally On
SI-138	ON	ON	Normally On
SI-139	ON	ON	Normally On
SI-140	ON	ON	Normally On
SI-141	ON	ON	Normally On
SI-142	ON	ON	Normally On
SI-143	ON	ON	Normally On
SI-144	ON	ON	Normally On
SI-145	ON	ON	Normally On
SI-146	ON	ON	Normally On
SI-147	ON	ON	Normally On
SI-148	ON	ON	Normally On
SI-149	ON	ON	Normally On
SI-150	ON	ON	Normally On
SI-151	ON	ON	Normally On
SI-152	ON	ON	Normally On
SI-153	ON	ON	Normally On
SI-154	ON	ON	Normally On
SI-155	ON	ON	Normally On
SI-156	ON	ON	Normally On
SI-157	ON	ON	Normally On
SI-158	ON	ON	Normally On
SI-159	ON	ON	Normally On
SI-160	ON	ON	Normally On
SI-161	ON	ON	Normally On
SI-162	ON	ON	Normally On
SI-163	ON	ON	Normally On
SI-164	ON	ON	Normally On
SI-165	ON	ON	Normally On
SI-166	ON	ON	Normally On
SI-167	ON	ON	Normally On
SI-168	ON	ON	Normally On
SI-169	ON	ON	Normally On
SI-170	ON	ON	Normally On
SI-171	ON	ON	Normally On
SI-172	ON	ON	Normally On
SI-173	ON	ON	Normally On
SI-174	ON	ON	Normally On
SI-175	ON	ON	Normally On
SI-176	ON	ON	Normally On
SI-177	ON	ON	Normally On
SI-178	ON	ON	Normally On
SI-179	ON	ON	Normally On
SI-180	ON	ON	Normally On
SI-181	ON	ON	Normally On
SI-182	ON	ON	Normally On
SI-183	ON	ON	Normally On
SI-184	ON	ON	Normally On
SI-185	ON	ON	Normally On
SI-186	ON	ON	Normally On
SI-187	ON	ON	Normally On
SI-188	ON	ON	Normally On
SI-189	ON	ON	Normally On
SI-190	ON	ON	Normally On
SI-191	ON	ON	Normally On
SI-192	ON	ON	Normally On
SI-193	ON	ON	Normally On
SI-194	ON	ON	Normally On
SI-195	ON	ON	Normally On
SI-196	ON	ON	Normally On
SI-197	ON	ON	Normally On
SI-198	ON	ON	Normally On
SI-199	ON	ON	Normally On
SI-200	ON	ON	Normally On
SI-201	ON	ON	Normally On
SI-202	ON	ON	Normally On
SI-203	ON	ON	Normally On
SI-204	ON	ON	Normally On
SI-205	ON	ON	Normally On
SI-206	ON	ON	Normally On
SI-207	ON	ON	Normally On
SI-208	ON	ON	Normally On
SI-209	ON	ON	Normally On
SI-210	ON	ON	Normally On
SI-211	ON	ON	Normally On
SI-212	ON	ON	Normally On
SI-213	ON	ON	Normally On
SI-214	ON	ON	Normally On
SI-215	ON	ON	Normally On
SI-216	ON	ON	Normally On
SI-217	ON	ON	Normally On
SI-218	ON	ON	Normally On
SI-219	ON	ON	Normally On
SI-220	ON	ON	Normally On
SI-221	ON	ON	Normally On
SI-222	ON	ON	Normally On
SI-223	ON	ON	Normally On
SI-224	ON	ON	Normally On
SI-225	ON	ON	Normally On
SI-226	ON	ON	Normally On
SI-227	ON	ON	Normally On
SI-228	ON	ON	Normally On
SI-229	ON	ON	Normally On
SI-230	ON	ON	Normally On
SI-231	ON	ON	Normally On
SI-232	ON	ON	Normally On
SI-233	ON	ON	Normally On
SI-234	ON	ON	Normally On
SI-235	ON	ON	Normally On
SI-236	ON	ON	Normally On
SI-237	ON	ON	Normally On
SI-238	ON	ON	Normally On
SI-239	ON	ON	Normally On
SI-240	ON	ON	Normally On
SI-241	ON	ON	Normally On
SI-242	ON	ON	Normally On
SI-243	ON	ON	Normally On
SI-244	ON	ON	Normally On
SI-245	ON	ON	Normally On
SI-246	ON	ON	Normally On
SI-247	ON	ON	Normally On
SI-248	ON	ON	Normally On
SI-249	ON	ON	Normally On
SI-250	ON	ON	Normally On
SI-251	ON	ON	Normally On
SI-252	ON	ON	Normally On
SI-253	ON	ON	Normally On
SI-254	ON	ON	Normally On
SI-255	ON	ON	Normally On
SI-256	ON	ON	Normally On
SI-257	ON	ON	Normally On
SI-258	ON	ON	Normally On
SI-259	ON	ON	Normally On
SI-260	ON	ON	Normally On
SI-261	ON	ON	Normally On
SI-262	ON	ON	Normally On
SI-263	ON	ON	Normally On
SI-264	ON	ON	Normally On
SI-265	ON	ON	Normally On
SI-266	ON	ON	Normally On
SI-267	ON	ON	Normally On
SI-268	ON	ON	Normally On
SI-269	ON	ON	Normally On
SI-270	ON	ON	Normally On
SI-271	ON	ON	Normally On
SI-272	ON	ON	Normally On
SI-273	ON	ON	Normally On
SI-274	ON	ON	Normally On
SI-275	ON	ON	Normally On
SI-276	ON	ON	Normally On
SI-277	ON	ON	Normally On
SI-278	ON	ON	Normally On
SI-279	ON	ON	Normally On
SI-280	ON	ON	Normally On
SI-281	ON	ON	Normally On
SI-282	ON	ON	Normally On
SI-283	ON	ON	Normally On
SI-284	ON	ON	Normally On
SI-285	ON	ON	Normally On
SI-286	ON	ON	Normally On
SI-287	ON	ON	Normally On
SI-288	ON	ON	Normally On
SI-289	ON</		

THIS DRAWING AND SPECIFICATIONS HEREIN ARE THE PROPERTY OF DIGITAL EQUIPMENT CORPORATION AND SHALL NOT BE REPRODUCED OR COPIED OR USED IN WHOLE OR IN PART AS THE BASIS FOR THE MANUFACTURE OR SALE OF ITEMS WITHOUT WRITTEN PERMISSION. COPYRIGHT © 1974 DIGITAL EQUIPMENT CORPORATION.



REVISIONS		
CHK	CHANGE NO.	REV.

TITLE		SIZE CODE		NUMBER		REV.	
4K X 12 MOS MEMORY (MMI)		DCS		MR311-0-1		F	
SCALE		SHEET 3 OF 6		DIST.		1	

REV. F
NUMBER MR311-0-1
DCS

