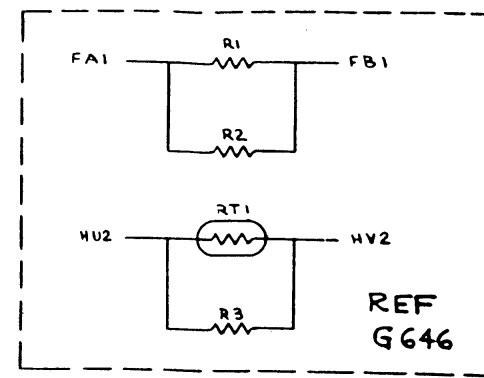


This drawing and specifications, herein, are the property of Digital Equipment Corporation and shall not be reproduced or copied or used in whole or in part as the basis for the manufacture of any of their without written permission.

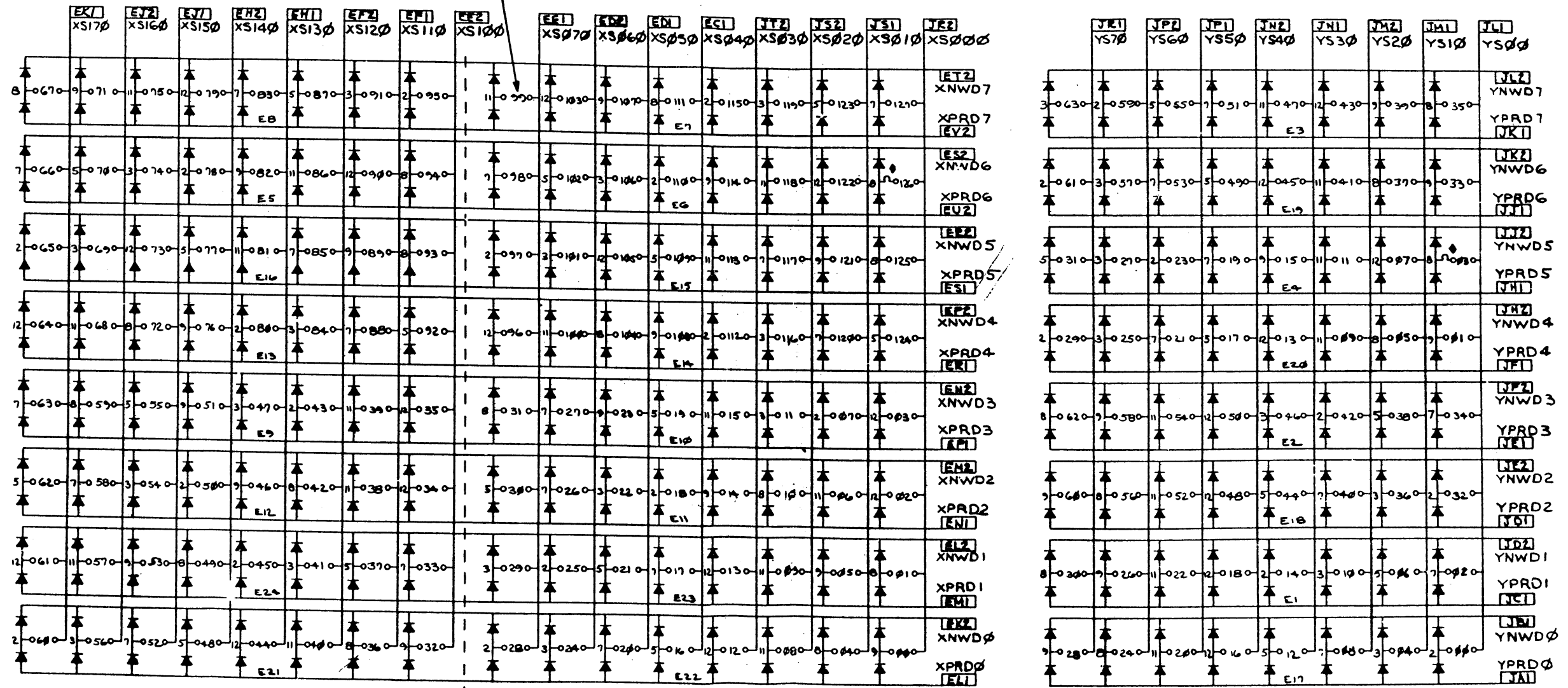


ETCH JUMPERS
 JV2 - HB1
 JU2 - HA1
 EB1 - EV2
 EA1 - EU2

- NOTES:
 1. UNLESS OTHERWISE SPECIFIED:
 IC'S E1-E24 ARE TO BE DEC STOCK # 2501.
 2. INDICATES STACK LINE NUMBER. (TVP)
 3. INDICATES CURRENT LOOP.
 4. INDICATES MAGNET WIRE TERMINATION (SOLDERED TO PC PAD).
 5. 2501-1 (DEC. PT. NO. 1910010-01)
 MAY BE USED INTERCHANGEABLY WITH ITEM #2

SEE NOTE 4

- ES2 - OINH
- ET2 - OINH
- ET1 - OSB
- ET1 - OSA
- FN2 - OINH
- FP2 - OINH
- FP1 - OSB
- FN1 - OSA
- FL2 - OINH
- FM2 - OINH
- FM1 - OSB
- FL1 - OSA
- FX2 - OINH
- EK2 - OINH
- EK1 - OSB
- FX1 - OSA
- FF2 - OINH
- FK2 - OINH
- FK1 - OSB
- FF1 - OSA
- FC2 - OINH
- ED2 - OINH
- ED1 - OSB
- FC1 - OSA
- HS2 - OINH
- HT2 - OINH
- HT1 - OSB
- HS1 - OSA
- HN2 - OINH
- HP2 - OINH
- HP1 - OSB
- HN1 - OSA
- HL2 - OINH
- HM2 - OINH
- HM1 - OSB
- HL1 - OSA
- HY2 - OINH
- HK2 - OINH
- HK1 - OSB
- HY1 - OSA
- HF2 - OINH
- HM2 - OINH
- HM1 - OSB
- HF1 - OSA
- HC2 - OINH
- HD2 - OINH
- HD1 - OSB
- HC1 - OSA

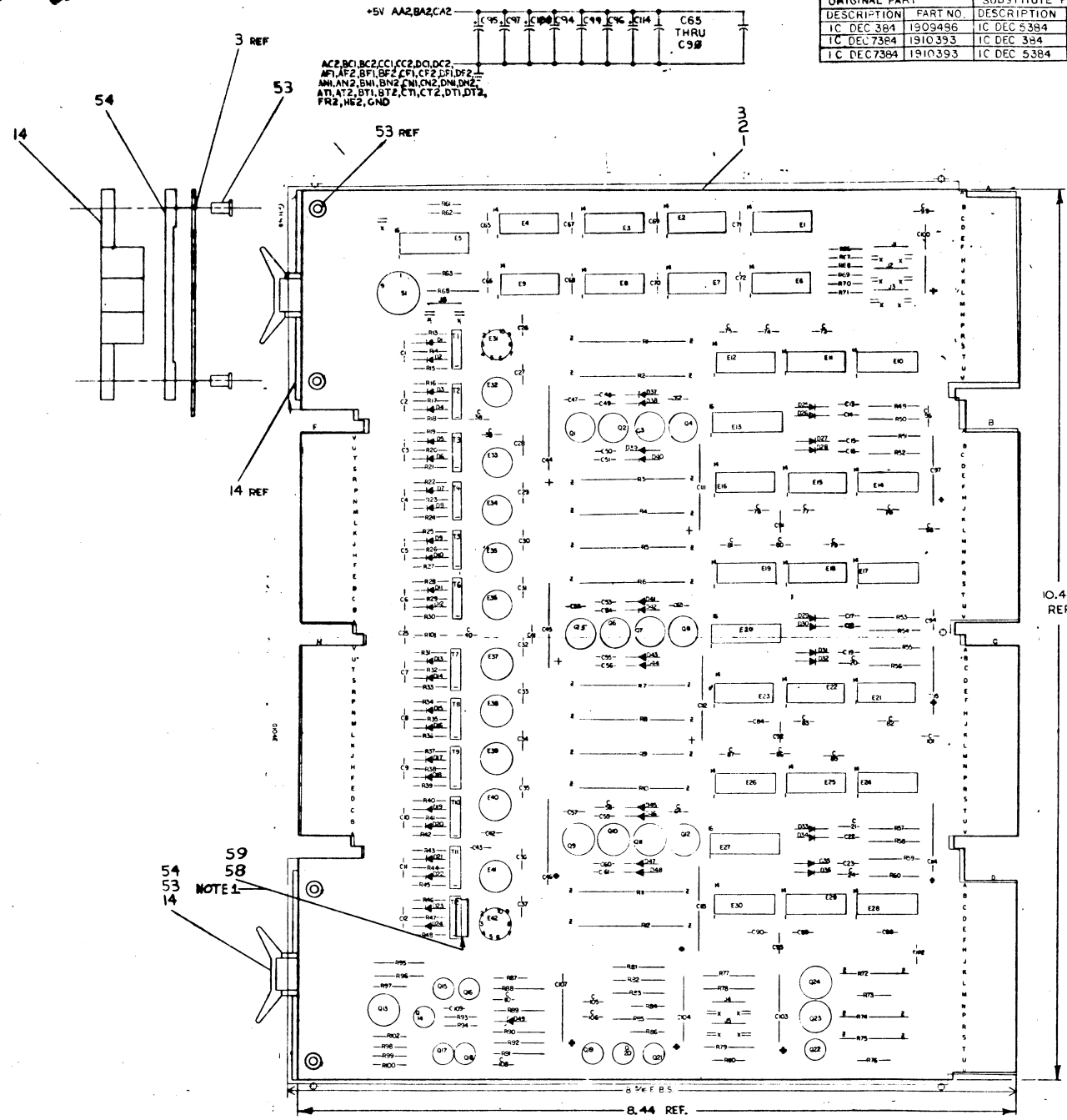


FIRST USED ON Q/TION MODEL	QTY.	DESCRIPTION	PART NO.	ITEM NO.
MM8-EJ				
UNLESS OTHERWISE SPECIFIED TOLERANCES		DATE 12/1/71	PARTS LIST	
DECIMALS	ANGLES	DATE 3-25-72	EQUIPMENT CORPORATION	
1000 - .005	16° 30'	DATE 10/2/72	TITLE	
REMOVE BURRS AND BREAK SHARP CORNERS SURFACE QUALITY		DATE 10/2/72	STACK SCHEMATIC	
MATERIAL	NEXT MFG. OR ASBY.	DATE 11/2/72	8K X 12BIT	
	B-DD-MM8-EJ	DATE 11/2/72	REV. CODE	NUMBER
FROM	SCALE	DATE	DCS	H212-01
	SHEET 2 OF 2	DATE		E

COMPONENT SUBSTITUTION LIST				
ORIGINAL PART	SUBSTITUTE PART		ITEM NO.	
DESCRIPTION	PART NO.	DESCRIPTION	PART NO.	
IC DEC 384	1909486	IC DEC 5384	1910394	50
IC DEC 7384	1910393	IC DEC 384	1909486	65
IC DEC 7384	1910393	IC DEC 5384	1910394	65



AC2,BC1,BC2,CC1,CC2,DC1,DC2,
AF1,AF2,BF1,BF2,CF1,CF2,DF1,DF2,
AH1,AH2,BH1,BH2,CH1,CH2,DH1,DH2,
AT1,AT2,BT1,BT2,CT1,CT2,DT1,DT2,
FR2,HE2,GND



- NOTES:
- CUT CATERPILLAR GROMMET (DEC 9007622) 7/8" LONG, ON ONE SIDE CUT TOOTH OUT 3/8" FROM ONE END, ON EACH END SPRAY WITH SCOTCH-Grip ADHESIVE NO. 77 (DEC 9008907) FOLLOW DIRECTIONS FOR NON-PERMANENT BONDS ON BACK OF CAN. PLACE THE GROMMET OVER 1725 TRANSFORMERS WITH CUTOUT TOOTH OVER CAPACITOR C40.
 - IN PLACE OF DEC 6380 (ITEM #49), DEC 380 (1909485) MAY BE USED.
 - R65 IS DETERMINED BY THE VOLTAGE AT PIN HA1 WITH RESPECT TO +5V.
 - ALLOWABLE MEMORY SYSTEM CONFIGURATIONS:
MMB-EJ
H212 OR H212A STACK
G111 OR G115 S/I
G233 OR G234 X-Y

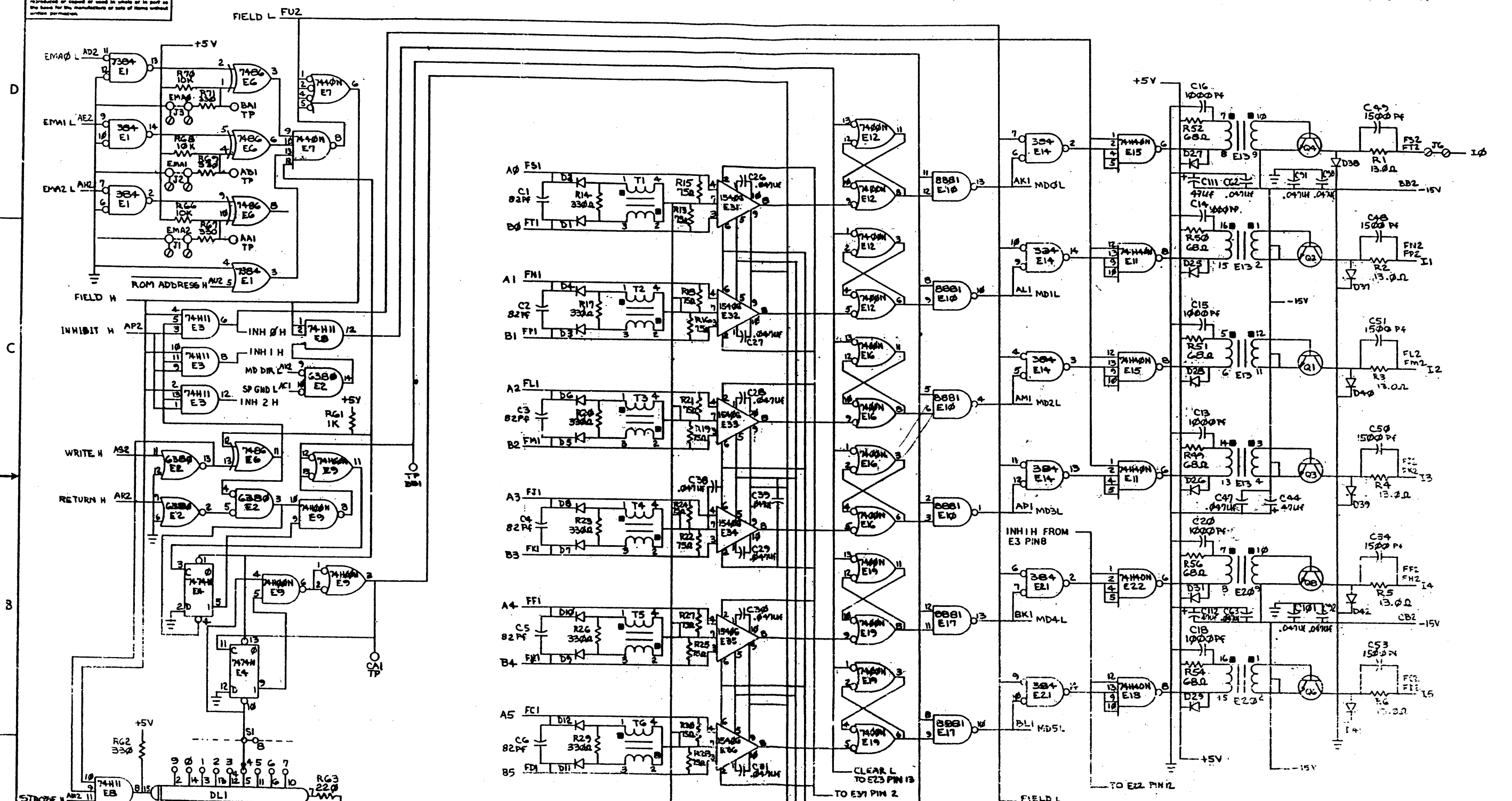
QTY	REF DESIGNATION	DESCRIPTION	PART NO.	ITEM NO.
1	R91	RES. 125, 1/4W, 1%	1302356	65
1	E1	IC DEC 7394	1910393	65
A/4	R65	BLK & WHT #30 TWP	9107720-09	64
1	R102	RES. 10, 1/4W, 10%	1300170	62
13		SPLIT LUGS	9006735	61
1	R81	RES. 274, 1/8W, 1% 100 MFP	1304866	60
WE		SCOTCH GRIP ADHESIVE	9008907	59
A/4		CATERPILLAR GROMMET	9007622	58
REF		ASSY DRILLING HOLE LAYOUT	AH-G111-0-57	57
2	R50, R101	RES. 100, 1/8W, 1% 100 MFP	1302858	56
NR	2	WIRE #22 AWG SOLID BUS	9107560-01	55
2		SPACER (CABLE CLAMP)	120704	54
4		EYELET #654-111 E.B. STIMPSON	9006750	53
1	E6	IC DEC 7486	1910011	52
3	E10, E17, E24	IC DEC 8881	1909706	51
3	E14, E21, E28	IC DEC 384	1909486	50
1	E2	IC DEC 8280	1909477	49
2	E3, E8	IC DEC 744H	1909267	48
1	E9	IC DEC 74400N	1909056	47
6	E11, E15, E18, E22, E25, E29	IC DEC 74440N	1905586	46
1	E7	IC DEC 7440N	1905579	45
6	E12, E16, E19, E23, E26, E30	IC DEC 7400N	1905575	44
1	E4	IC DEC 7474N	1905547	43
12	E31-E42	IC MC 1540G	1905521	42
1	D11	LOONS DELAY LINE	1610033-0	41
3	E13, E20, E27	PULSE TRANSFORMER	1609996	40
12	T1-T12	TRANSFORMER 17#-5	1609478	39
2	Q1-Q12	TRANSISTOR DEC 3734	1500062	38
6	Q23, Q24	TRANSISTOR DEC 3762	1506446	37
9	Q14-Q22	TRANSISTOR DEC 6334-B	1503409-01	36
1	Q13	TRANSISTOR DEC 2219-S	1501881	35
12	R1-R12	RES. 130K, 6W, 1%	130032-01	34
12	R13-R60	RES. 68, 1/2W, 5% CC	1309405	33
1	R89	RES. 68K, 1/8W, 1%	1305225	32
1	R88	RES. 5.62K, 1/8W, 1%	1305128	31
2	R74, R95	RES. 4.64K, 1/8W, 1%	1304856	29
1	R77	RES. 1.02K, 1/8W, 1%	1304855	28
2	R92, R85	RES. 1.96K, 1/8W, 1%	1304833	27
3	R82, R83, R96	RES. 1K, 1/8W, 1%	1303114	26
1	R78	RES. 1.21K, 1/8W, 1%	1302871	25
24	R13, R15, R16, R18, R19, R21, R22, R24, R25, R27, R28, R30, R31, R33, R34, R36, R37, R39, R40, R42, R43, R45, R46, R48	RES. 75, 1/8W, 1%	1303064	24
1	R86	RES. 680, 1/4W, 5% CC	1301424	23
6	R66, R68, R70, R80, R94, R99	RES. 10K, 1/4W, 5% CC	1300479	22
3	R73, R76, R97	RES. 4.7K, 1/4W, 5% CC	1300447	21
2	R61, R87	RES. 1K, 1/4W, 5% CC	1300365	20
19	R14, R17, R20, R23, R26, R29, R32, R35, R38, R41, R44, R47, R62, R67, R69, R71, R84, R93, R98	RES. 330, 1/4W, 5% CC	1300295	19
1	R63	RES. 220, 1/4W, 5% CC	1300271	18
1	R100	RES. 100, 1/4W, 5% CC	1300229	17
3	R72, R74, R75	RES. 68, 1/4W, 10% CC	1300222	16
1	S1	ROTARY SWITCH	1200043-0	15
1	D4	HANDLE FLIP CHIP - GREEN	9008337-01	14
1	D49	DIODE .4M 6.8A21	1109991-1	13
36	D1-D24, D37-D48	DIODE D672	1105275	12
12	D25-D36	DIODE D664	1100114	11
32	C62-C64, C91-C93, C98, C101, C102, C110	CAP. .047 UF 16V 20% DISC	1009678	10
33	C88, C65-C90, C94, C96, C103	CAP. .01 UF 100V 20% DISC	100160	9
6	C44-C46, C111-C113	CAP. 47 UF 20V 20% S. TANT	1000079	8
7	C95, C97, C100, C103, C104, C107, C114	CAP. 6.8 UF 35V 20% S. TANT	1000067	7
12	C48-C51, C53-C56, C58-C61	CAP. 1500 PF 200V 10% DISC	1000054	6
12	C13-C24	CAP. 1000PF 100V 5% MICA	1000042	5
12	C1-C12	CAP. 100V 5% D. MICA	1000045	4
1	REF	ETCHED CIRCUIT BOARD	5002344	3
1	REF	MODULE ECO HISTORY	B-MH-G111-0-6	2
1	REF	X-Y COORDINATE HOLE LOCATION	X-CO-G111-0-4	1

REV	NO	DATE	BY	CHKD	DESCRIPTION
55	22	J6-A	J6-B		
		J5-A	J5-B		
		J4-A	J4-B		
		J3-A	J3-B		
		J2-A	J2-B		
		J1-A	J1-B		

REV	NO	DATE	BY	CHKD	DESCRIPTION
DEC 3734	SAME				
DEC 3762	SAME				
DEC 6534-B	MPS4534				
DEC 2219-S	2N 2219				
A M 68A21	IN4099				
D672	IN3653				
D664	IN3006				
DEC NO	EIA NO				

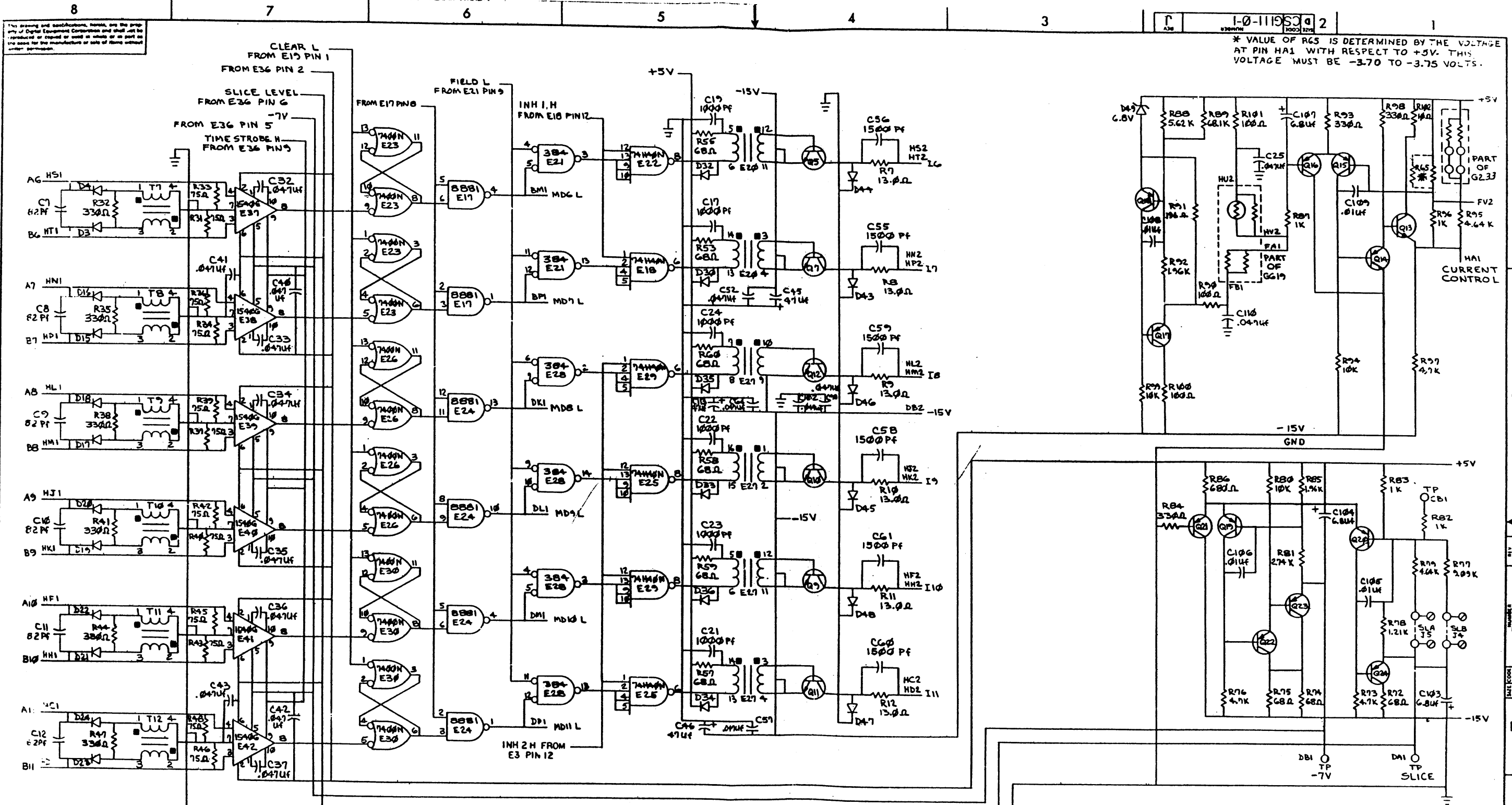
REV COLUMN	C	DATE	BY	CHKD	DESCRIPTION
PRINTED CIRCUIT BOARD REVISION					
CIRCUIT SCH REVISION					
EQUIPMENT CORPORATION					
SENSE INHIBIT					
REVISIONS					
DATE					
BY					
CHKD					
DESCRIPTION					
DATE					
BY					
CHKD					
DESCRIPTION					
DATE					
BY					
CHKD					
DESCRIPTION					
DATE					
BY					
CHKD					
DESCRIPTION					
DATE					
BY					
CHKD					
DESCRIPTION					
DATE					
BY					
CHKD					
DESCRIPTION					
DATE					
BY					
CHKD					
DESCRIPTION					
DATE					
BY					
CHKD					
DESCRIPTION					
DATE					
BY					
CHKD					
DESCRIPTION					
DATE					
BY					
CHKD					
DESCRIPTION					
DATE					
BY					
CHKD					
DESCRIPTION					
DATE					
BY					
CHKD					
DESCRIPTION					
DATE					
BY					
CHKD					
DESCRIPTION					
DATE					
BY					
CHKD					
DESCRIPTION					
DATE					
BY					
CHKD					
DESCRIPTION					
DATE					
BY					
CHKD					
DESCRIPTION					
DATE					
BY					
CHKD					
DESCRIPTION					
DATE					
BY					
CHKD					
DESCRIPTION					
DATE					
BY					
CHKD					
DESCRIPTION					
DATE					
BY					
CHKD					
DESCRIPTION					
DATE					
BY					
CHKD					
DESCRIPTION					
DATE					
BY					
CHKD					
DESCRIPTION					
DATE					
BY					
CHKD					
DESCRIPTION					
DATE					
BY					
CHKD					
DESCRIPTION					
DATE					
BY					
CHKD					
DESCRIPTION					
DATE					
BY					
CHKD					
DESCRIPTION					
DATE					
BY					
CHKD					
DESCRIPTION					
DATE					
BY					
CHKD					
DESCRIPTION					
DATE					
BY					
CHKD					
DESCRIPTION					
DATE					
BY					
CHKD					
DESCRIPTION					
DATE					
BY					
CHKD					
DESCRIPTION					
DATE					
BY					
CHKD					
DESCRIPTION					
DATE					
BY					
CHKD					
DESCRIPTION					
DATE					
BY					
CHKD					
DESCRIPTION					
DATE					
BY					
CHKD					
DESCRIPTION					
DATE					
BY					
CHKD					
DESCRIPTION					
DATE					
BY					
CHKD					
DESCRIPTION					
DATE					
BY					
CHKD					
DESCRIPTION					
DATE					
BY					
CHKD					
DESCRIPTION					
DATE					
BY					
CHKD					
DESCRIPTION					
DATE					
BY					
CHKD					
DESCRIPTION					
DATE					
BY					
CHKD					
DESCRIPTION					
DATE					
BY					
CHKD					
DESCRIPTION					
DATE					
BY					
CHKD					
DESCRIPTION					
DATE					
BY					
CHKD					
DESCRIPTION					
DATE					
BY					
CHKD					
DESCRIPTION					
DATE					
BY					
CHKD					
DESCRIPTION					
DATE					
BY					
CHKD					
DESCRIPTION					
DATE					
BY					
CHKD					
DESCRIPTION					
DATE					
BY					
CHKD					
DESCRIPTION					
DATE					
BY					
CHKD					
DESCRIPTION					
DATE		</			

This drawing and specifications, herein, are the property of Digital Equipment Corporation and shall not be reproduced or copied or used in whole or in part as the basis for the manufacture or sale of items without written permission.



REVISIONS
 CHANGE NO.
 DATE

FIRST USED ON OPTION/MODEL	QTY.	DESCRIPTION	PART NO.	ITEM NO.
MM8-E				
PARTS LIST				
UNLESS OTHERWISE SPECIFIED DIMENSION IN INCHES TOLERANCES		DRN <i>E. Carberry</i> DATE 3/8/72	EQUIPMENT CORPORATION	
DECIMALS	ANGLES	CHK'D. <i>E. Carberry</i> DATE 7-23-72	TITLE	
.XXX - .008	±0° 30'	ENG. <i>W. Carter</i> DATE 12/7/72	4K OR 8K SENSE INHIBIT BOARD	
REMOVE BURRS AND BREAK SHARP CORNERS SURFACE QUALITY		PROD. ENG. <i>W. Carter</i> DATE 2/17/72		
MATERIAL		PROD. <i>R.K. Jones</i> DATE 2-2-72		
FINISH		NEXT HIGHER ASSY.	SIZE CODE	NUMBER
		A-PL-MM3-E-0	DCC	G111-0-1
		SHEET - 2 OF 3	SCALE	REV
			DIST	J



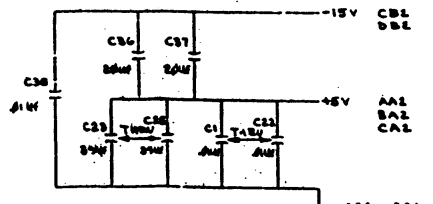
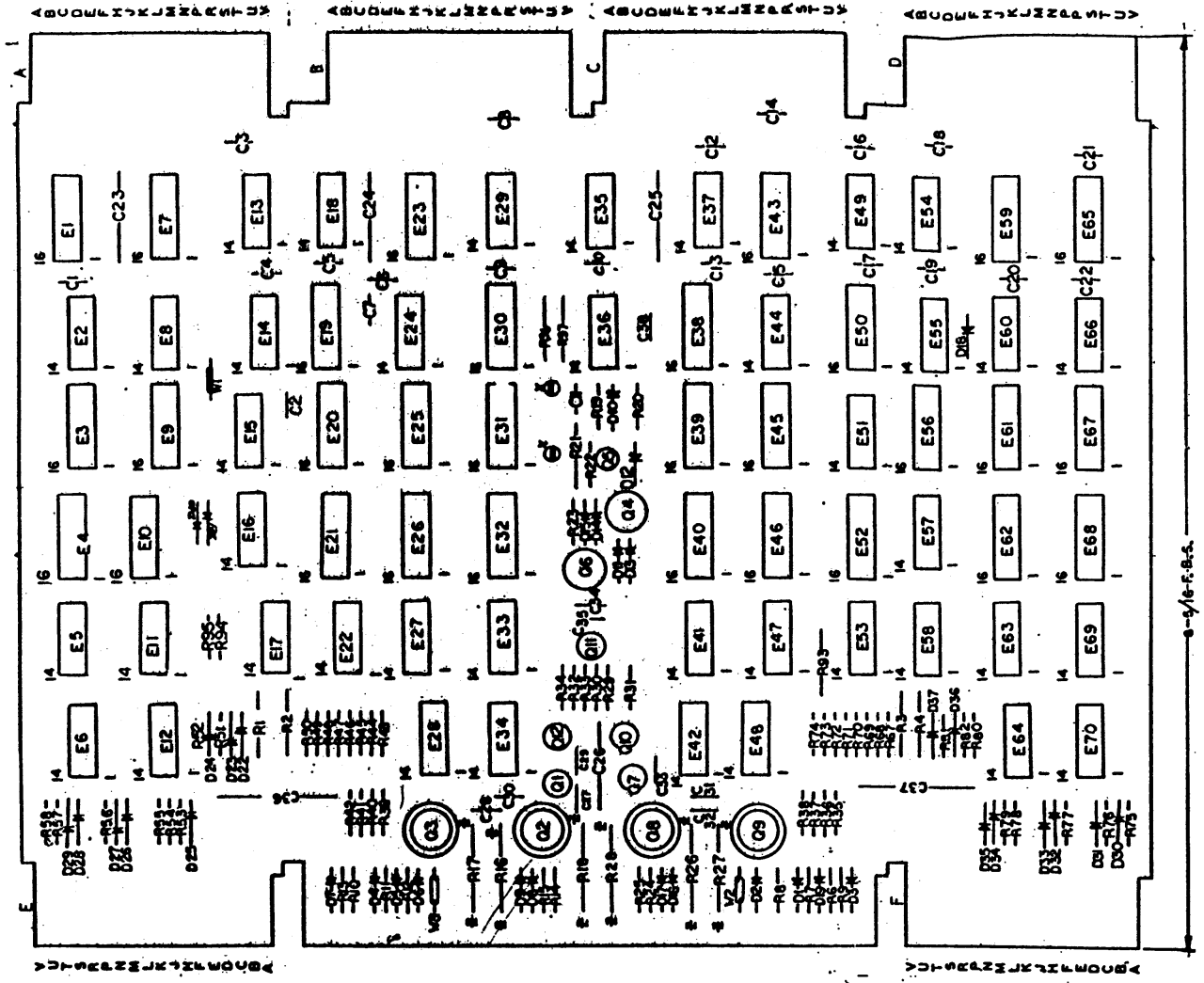
1-0-1119SC 2
 * VALUE OF R65 IS DETERMINED BY THE VOLTAGE AT PIN HA1 WITH RESPECT TO +5V. THIS VOLTAGE MUST BE -3.70 TO -3.75 VOLTS.

FIRST USED ON OPTION/MODEL	QTY.	DESCRIPTION	PART NO.	ITEM NO.
PARTS LIST				
UNLESS OTHERWISE SPECIFIED DIMENSION IN INCHES TOLERANCES	DRN CHKD	DATE 3/19/72	digital CORPORATION	
DECIMALS ANGLES	ENG. PROJ. ENG. PROD.	DATE 3-27-72 3/25/72 3/27/72		
JACK - .005 JIC - .02 J - .1	20° 30'	DATE 3/27/72	TITLE 4K OR 8K SENSE INHIBIT BOARD	
REMOVE BURRS AND BREAK SHARP CORNERS SURFACE QUALITY	DATE 3-27-72	DATE 3-27-72		
MATERIAL	NEXT HIGHER ASSY.	SIZE CODE	NUMBER	REV
FINISH	SCALE	DCS	G111-0-1	J
	SHEET 3 OF 3	DIST.		

REV	
CHG	
REVISIONS	
CHANGE NO	
DATE	

NOTES:
 1. UNLESS OTHERWISE SPECIFIED, ALL RESISTORS TO BE 150Ω.
 2. 4008-X (P.N. 15-10015-01) MAY BE USED IN CASE OF A SHORTAGE OF 4011 ITEM # 34.
 3. ALLOWABLE MEMORY SYSTEM

MMB-EJ	MMB-EH
H212 OR H212A STACK	H211 OR H211A STACK
G111 OR G115 S/I	G115 S/I
G233 OR G234 X-Y	G234 X-Y



- AC1, AC1
- AP1, AP1
- AP2, AP1
- AP3, AP1
- AP4, AP1
- AP5, AP1
- AP6, AP1
- AP7, AP1
- AP8, AP1
- AP9, AP1
- AP10, AP1
- AP11, AP1
- AP12, AP1
- AP13, AP1
- AP14, AP1
- AP15, AP1
- AP16, AP1
- AP17, AP1
- AP18, AP1
- AP19, AP1
- AP20, AP1
- AP21, AP1
- AP22, AP1
- AP23, AP1
- AP24, AP1
- AP25, AP1
- AP26, AP1
- AP27, AP1
- AP28, AP1
- AP29, AP1
- AP30, AP1
- AP31, AP1
- AP32, AP1
- AP33, AP1
- AP34, AP1
- AP35, AP1
- AP36, AP1
- AP37, AP1
- AP38, AP1
- AP39, AP1
- AP40, AP1
- AP41, AP1
- AP42, AP1
- AP43, AP1
- AP44, AP1
- AP45, AP1
- AP46, AP1
- AP47, AP1
- AP48, AP1
- AP49, AP1
- AP50, AP1
- AP51, AP1
- AP52, AP1
- AP53, AP1
- AP54, AP1
- AP55, AP1
- AP56, AP1
- AP57, AP1
- AP58, AP1
- AP59, AP1
- AP60, AP1
- AP61, AP1
- AP62, AP1
- AP63, AP1
- AP64, AP1
- AP65, AP1
- AP66, AP1
- AP67, AP1
- AP68, AP1
- AP69, AP1
- AP70, AP1
- AP71, AP1
- AP72, AP1
- AP73, AP1
- AP74, AP1
- AP75, AP1
- AP76, AP1
- AP77, AP1
- AP78, AP1
- AP79, AP1
- AP80, AP1
- AP81, AP1
- AP82, AP1
- AP83, AP1
- AP84, AP1
- AP85, AP1
- AP86, AP1
- AP87, AP1
- AP88, AP1
- AP89, AP1
- AP90, AP1
- AP91, AP1
- AP92, AP1
- AP93, AP1
- AP94, AP1
- AP95, AP1
- AP96, AP1
- AP97, AP1
- AP98, AP1
- AP99, AP1
- AP100, AP1

QTY	REF DESIGNATION	DESCRIPTION	PART NO.	ITEM NO.
1	W1, W2, W3	MACH. INSER. JUMPER	9009185	46
1	C26	CAP. 390 PF 50V 5%	1001641	48
1	C26	CAP. 150PF 35V, 20% STANT	1002180	14
1	R25	RES 56K, 1/4W, 5%	130874	43
1	R27	RES 34.8K, 1/4W, 1%	1309156	42
1		SPLIT LUG	1000125	41
1				40
1				39
1				38
1				37
1				36
1				35
1				34
1				33
1				32
1				31
1				30
1				29
1				28
1				27
1				26
1				25
1				24
1				23
1				22
1				21
1				20
1				19
1				18
1				17
1				16
1				15
1				14
1				13
1				12
1				11
1				10
1				9
1				8
1				7
1				6
1				5
1				4
1				3
1				2
1				1

IC PIN LOCATIONS	JUMPER LIST
IC DEC 6980	
IC DEC 7442	
IC TYPE	
IC NO.	
IC PIN	
IC VALUE	
IC PART NO.	
IC MANUFACTURER	
IC DATE	
IC LOT NO.	
IC TEST NO.	
IC REVISION	
IC COMMENTS	

SEMICONDUCTOR CONVERSION CHART

REF. NO.	DESCRIPTION	REF. NO.	DESCRIPTION
1	74181	1	74181
2	74182	2	74182
3	74183	3	74183
4	74184	4	74184
5	74185	5	74185
6	74186	6	74186
7	74187	7	74187
8	74188	8	74188
9	74189	9	74189
10	74190	10	74190
11	74191	11	74191
12	74192	12	74192
13	74193	13	74193
14	74194	14	74194
15	74195	15	74195
16	74196	16	74196
17	74197	17	74197
18	74198	18	74198
19	74199	19	74199
20	74200	20	74200
21	74201	21	74201
22	74202	22	74202
23	74203	23	74203
24	74204	24	74204
25	74205	25	74205
26	74206	26	74206
27	74207	27	74207
28	74208	28	74208
29	74209	29	74209
30	74210	30	74210
31	74211	31	74211
32	74212	32	74212
33	74213	33	74213
34	74214	34	74214
35	74215	35	74215
36	74216	36	74216
37	74217	37	74217
38	74218	38	74218
39	74219	39	74219
40	74220	40	74220
41	74221	41	74221
42	74222	42	74222
43	74223	43	74223
44	74224	44	74224
45	74225	45	74225
46	74226	46	74226
47	74227	47	74227
48	74228	48	74228
49	74229	49	74229
50	74230	50	74230
51	74231	51	74231
52	74232	52	74232
53	74233	53	74233
54	74234	54	74234
55	74235	55	74235
56	74236	56	74236
57	74237	57	74237
58	74238	58	74238
59	74239	59	74239
60	74240	60	74240
61	74241	61	74241
62	74242	62	74242
63	74243	63	74243
64	74244	64	74244
65	74245	65	74245
66	74246	66	74246
67	74247	67	74247
68	74248	68	74248
69	74249	69	74249
70	74250	70	74250
71	74251	71	74251
72	74252	72	74252
73	74253	73	74253
74	74254	74	74254
75	74255	75	74255
76	74256	76	74256
77	74257	77	74257
78	74258	78	74258
79	74259	79	74259
80	74260	80	74260
81	74261	81	74261
82	74262	82	74262
83	74263	83	74263
84	74264	84	74264
85	74265	85	74265
86	74266	86	74266
87	74267	87	74267
88	74268	88	74268
89	74269	89	74269
90	74270	90	74270
91	74271	91	74271
92	74272	92	74272
93	74273	93	74273
94	74274	94	74274
95	74275	95	74275
96	74276	96	74276
97	74277	97	74277
98	74278	98	74278
99	74279	99	74279
100	74280	100	74280

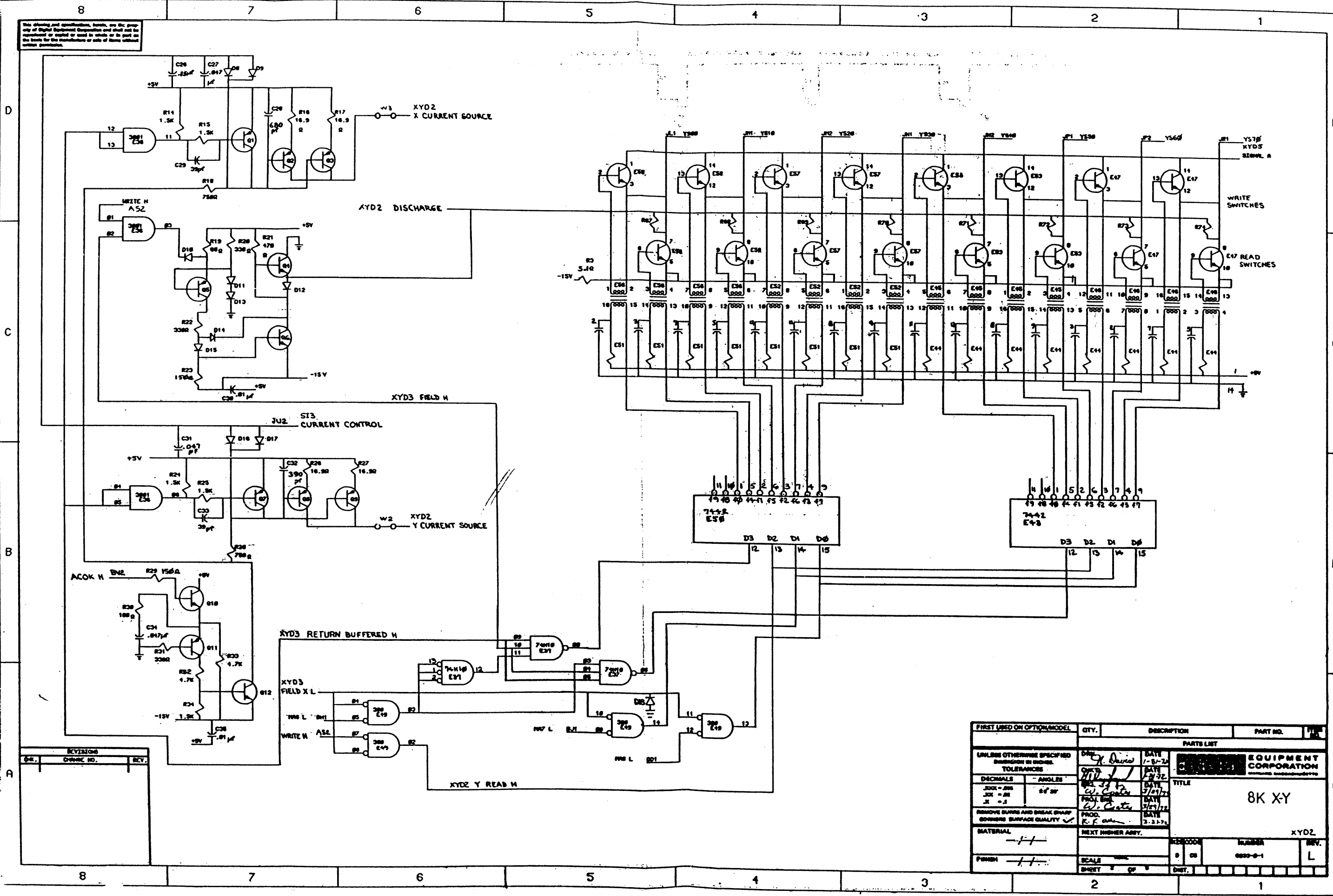
EQUIPMENT CORPORATION

8K X-Y

CS6233-01

REV. 1 OF 5

This drawing and specifications, herein, are the property of Digital Equipment Corporation and shall not be reproduced or used in whole or in part on the basis for the manufacture or sale of items without written permission.

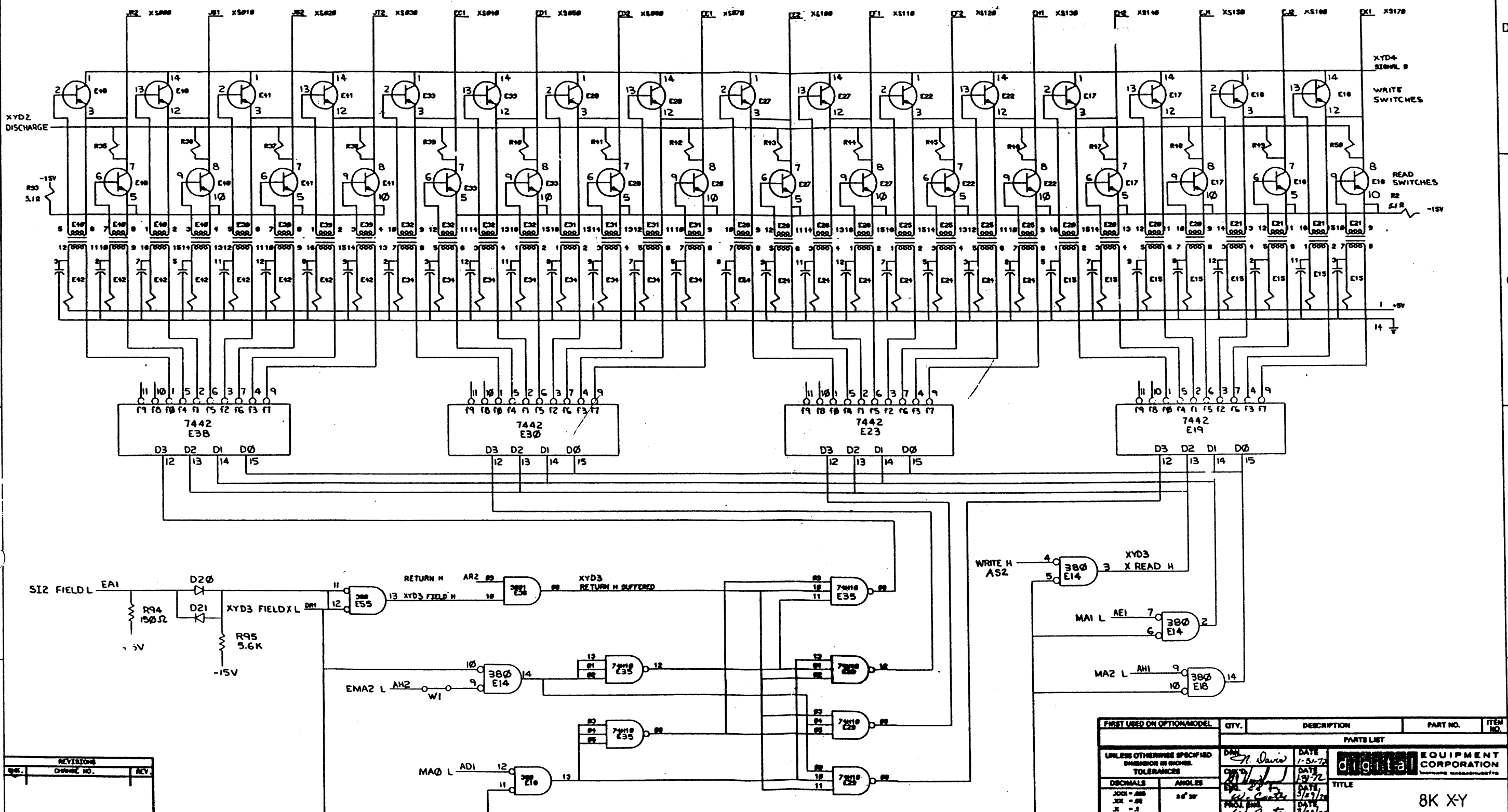


REV.	CHANGE NO.	REV.

FIRST USED ON OPTION/MODEL	QTY.	DESCRIPTION	PART NO.
UNLESS OTHERWISE SPECIFIED DIMENSIONS IN INCHES.			
TOLERANCES			
DECIMALS			
ANGLES			
JXX - .005			
JXX - .01			
JXX - .02			
REMOVE BURRS AND BREAK SHARP EDGES TO SURFACE QUALITY			
MATERIAL			
FINISH			

PARTS LIST		EQUIPMENT CORPORATION	
DATE	1-31-72	TITLE	8K XY
BY	J. Davis	REV.	
CHKD			
DATE	2/3/72		
BY			
CHKD			
DATE	3/17/72		
BY			
CHKD			
DATE	3-21-72		
BY			
CHKD			

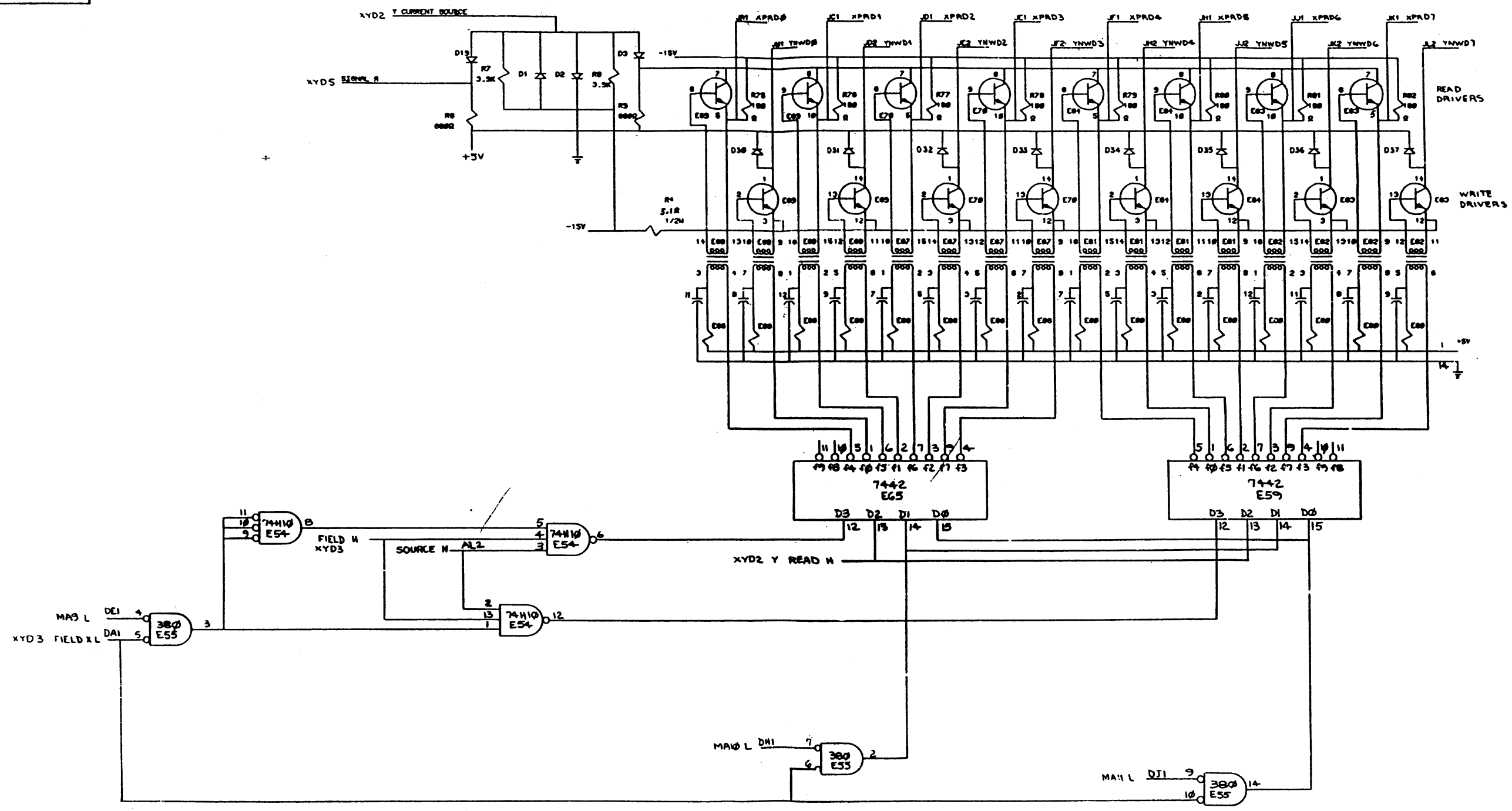
This drawing and specifications, herein, are the property of Digital Equipment Corporation and shall not be reproduced or copied or used in whole or in part as the basis for the manufacture of any of their products without written permission.



REVISIONS		
REV.	CHANGE NO.	REV.

FIRST USED ON OPTION/MODEL	QTY.	DESCRIPTION	PART NO.	ITEM NO.
PARTS LIST				
UNLESS OTHERWISE SPECIFIED DIMENSIONS IN INCHES TOLERANCES	DATE 1-31-72	BY M. Davis	DIGITAL EQUIPMENT CORPORATION	
DECIMALS	DATE 1/31/72	CHKD E. J. G. / J. C. G.		
ANGLES XXX - .001 XX - .002 X - .005	DATE 3/27/72	DATE 3/27/72	8K XY	
RECEIVE BURRS AND BREAK SHARP CORROSE SURFACE QUALITY	DATE 3/27/72	DATE 3-27-72		
MATERIAL ++	NEXT HIGHER ASSY.	SIZE CODE	XYD3	
FINISH ++	SCALE NONE	DIST.		
SHEET 3 OF 8			NUMBER 0230-9-1	REV. L

The drawing and specifications herein are the property of Digital Equipment Corporation and shall not be reproduced or stored in whole or in part on any form for the manufacture of sets of parts without written permission.



REVISIONS		
CHK	CHANGE NO.	REV

FIRST USED ON OPTION/MODEL	QTY.	DESCRIPTION	PART NO.	ITEM NO.
PARTS LIST				
UNLESS OTHERWISE SPECIFIED DIMENSION IN INCHES TOLERANCES	DWG 7/20/72	DATE 1-21-72	digital EQUIPMENT CORPORATION CORPORATION 02000000000000000000	
DECIMALS ANGLES	DATE 1/21/72	DATE 1/21/72		
JOCK - .008 JOK - .001 X - .1	DATE 3/2/72	DATE 3/2/72	TITLE 8K X-Y	
REMOVE BURRS AND BREAK SHARP CORNERS SURFACE QUALITY ✓	DATE 3/2/72	DATE 3-3-72		
MATERIAL	NEXT HIGHER ASSY.		REV. CODE	NUMBER
FINISH	SCALE	NO.	D	CS
SHEET 5 OF 8		DST.		REV. L