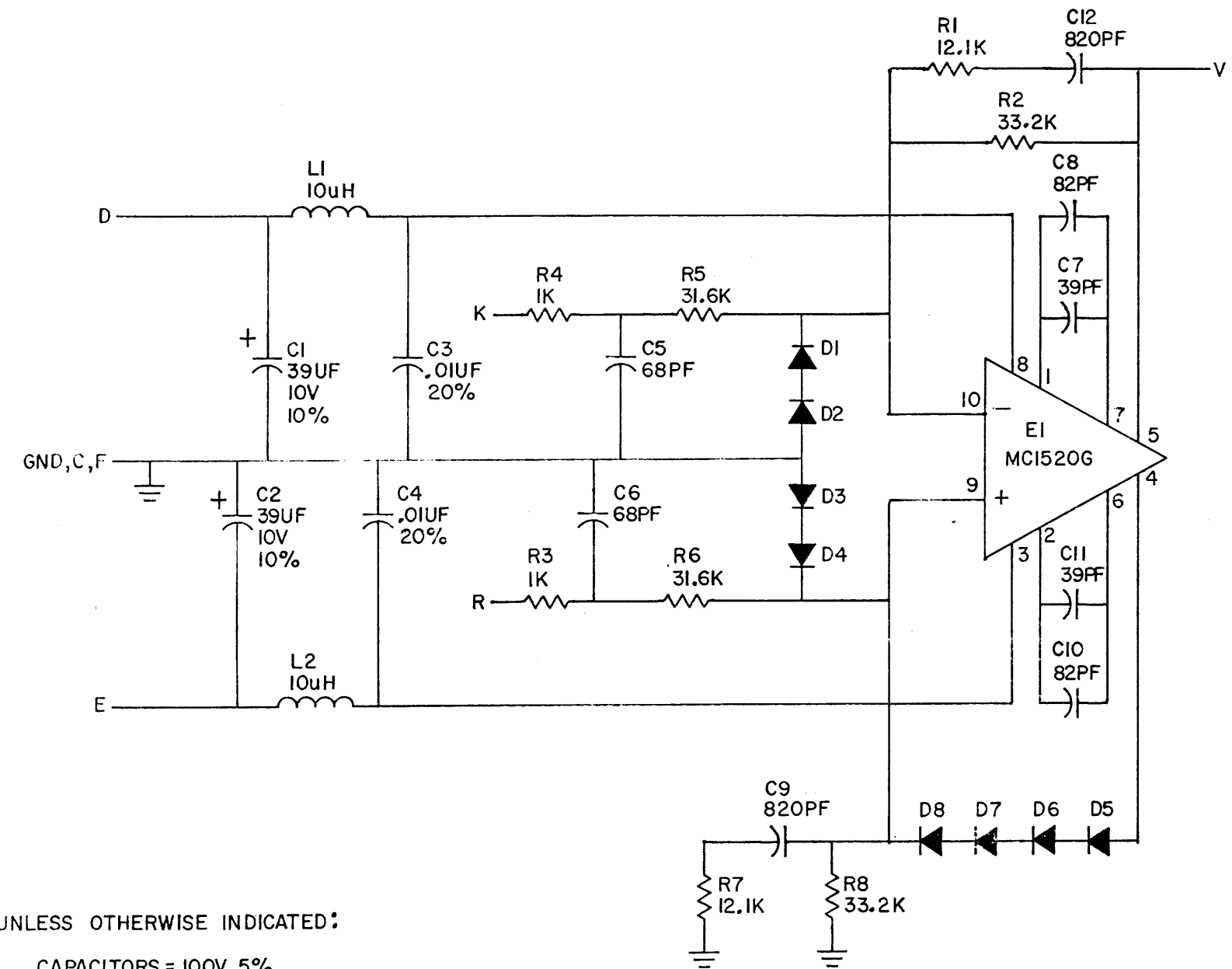


THIS SCHEMATIC IS FURNISHED ONLY FOR TEST AND MAINTENANCE PURPOSES. THE CIRCUITS ARE PROPRIETARY IN NATURE AND SHOULD BE TREATED ACCORDINGLY. COPYRIGHT 1969 BY DIGITAL EQUIPMENT CORPORATION



UNLESS OTHERWISE INDICATED:
 CAPACITORS = 100V, 5%
 DIODES = D664
 RESISTORS = 1/8W, 1%, MF

| <table border="1"> <tr><th>REVISIONS</th><th>CHK</th><th>CHG NO.</th><th>REV.</th></tr> <tr><td></td><td>PLO</td><td>0002</td><td>B</td></tr> <tr><td></td><td>REV & REDR</td><td></td><td>C</td></tr> <tr><td></td><td></td><td>0003</td><td></td></tr> </table> | | | | REVISIONS | CHK | CHG NO. | REV. | | PLO | 0002 | B | | REV & REDR | | C | | | 0003 | | DRN R. CLEMENS DATE 9/10/69 CHK'D A. YAUGA DATE 9/15/69 ENG. DATE PROD. DATE | | TRANSISTOR & DIODE CONVERSION CHART <table border="1"> <tr><th>DEC</th><th>EIA</th><th>DEC</th><th>EIA</th></tr> <tr><td>D664</td><td>IN3606</td><td></td><td></td></tr> </table> | | | | DEC | EIA | DEC | EIA | D664 | IN3606 | | | digital EQUIPMENT CORPORATION MAYNARD, MASSACHUSETTS | | TITLE FILTERED DIFFERENTIAL AMPLIFIER SIZE B CODE CS NUMBER 6589-0-1 REV. C PRINTED CIRCUIT REV. C | | |
|---|------------|---------|------|-----------|-----|---------|------|--|-----|------|---|--|------------|--|---|--|--|------|--|---|--|--|--|--|--|-----|-----|-----|-----|------|--------|--|--|---|--|--|--|--|
| REVISIONS | CHK | CHG NO. | REV. | | | | | | | | | | | | | | | | | | | | | | | | | | | | | | | | | | | |
| | PLO | 0002 | B | | | | | | | | | | | | | | | | | | | | | | | | | | | | | | | | | | | |
| | REV & REDR | | C | | | | | | | | | | | | | | | | | | | | | | | | | | | | | | | | | | | |
| | | 0003 | | | | | | | | | | | | | | | | | | | | | | | | | | | | | | | | | | | | |
| DEC | EIA | DEC | EIA | | | | | | | | | | | | | | | | | | | | | | | | | | | | | | | | | | | |
| D664 | IN3606 | | | | | | | | | | | | | | | | | | | | | | | | | | | | | | | | | | | | | |