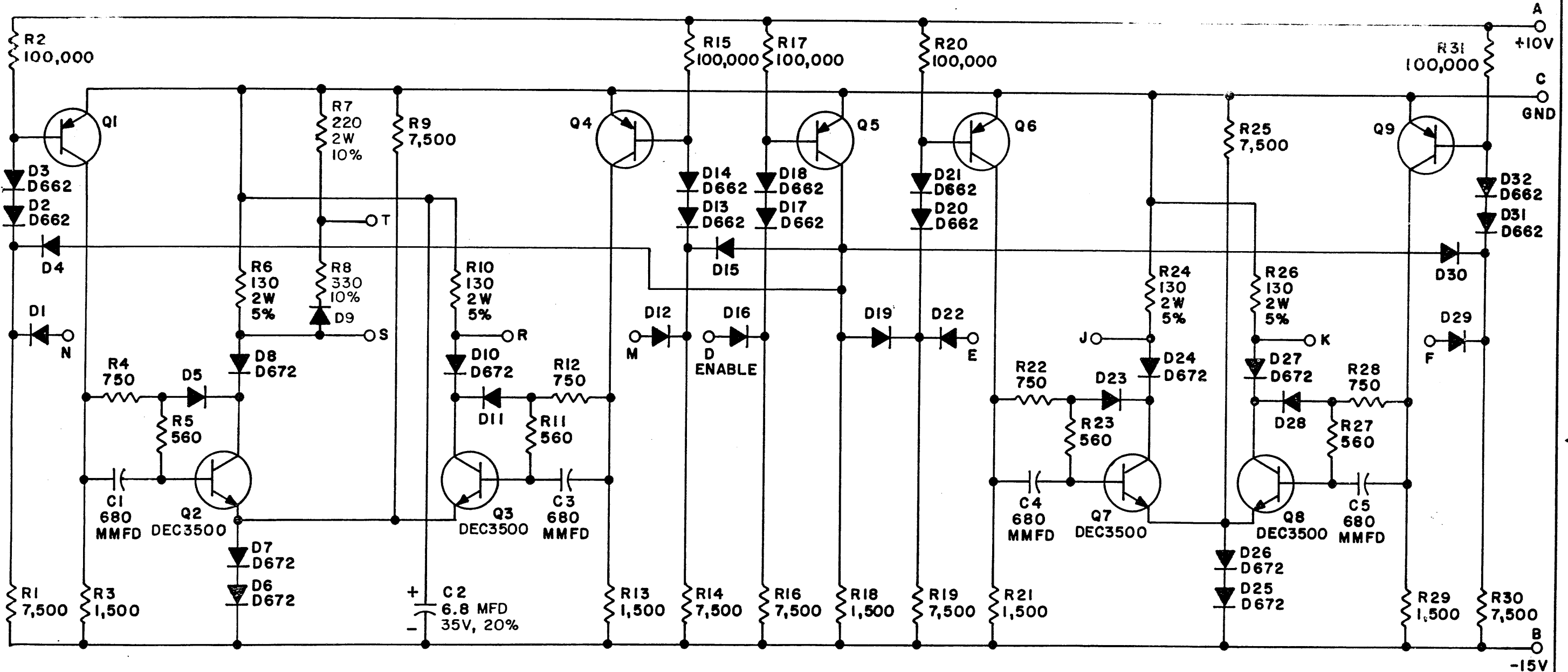
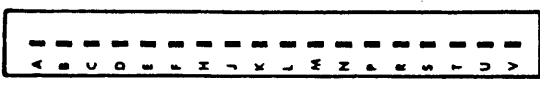


THIS SCHEMATIC IS FURNISHED ONLY FOR TEST AND MAINTENANCE PURPOSES. THE CIRCUITS ARE PROPRIETARY IN NATURE AND SHOULD BE TREATED ACCORDINGLY. COPYRIGHT 1967 BY DIGITAL EQUIPMENT CORPORATION



UNLESS OTHERWISE INDICATED:
 TRANSISTORS ARE DEC6534B
 DIODES ARE D664
 RESISTORS ARE 1/4W; 5%



REVISIONS	CHK	CHG NO.	REV.	DRN. <i>M. Haller</i>	DATE	TRANSISTOR & DIODE CONVERSION CHART				TITLE WRITE DRIVER G287		
	6651	B			2-16-67	DEC	EIA	DEC	EIA		SIZE B	CODE CS
				CHK'D <i>L. Johnson</i>	DATE	DEC3500	2N3500			EQUIPMENT CORPORATION		PRINTED CIRCUIT REV.
				ENG. <i>S. Sogge</i>	DATE	DEC6534B	MP86534			MAYNARD, MASSACHUSETTS		
				PROD.	DATE	D662	IN645					
						D664	IN3606					
						D672	IN3653					