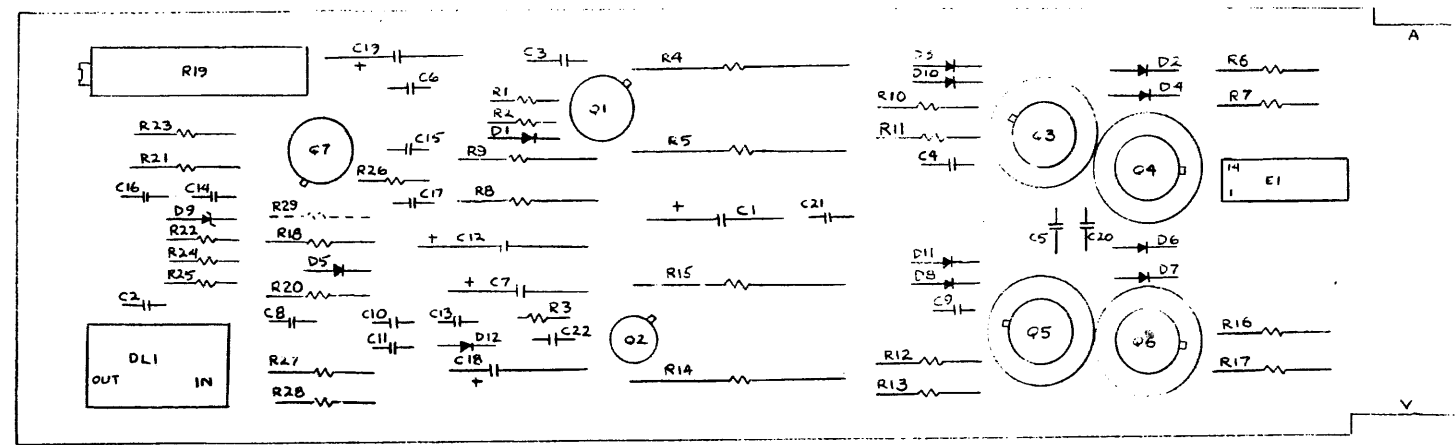
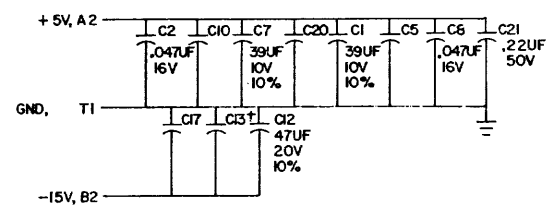
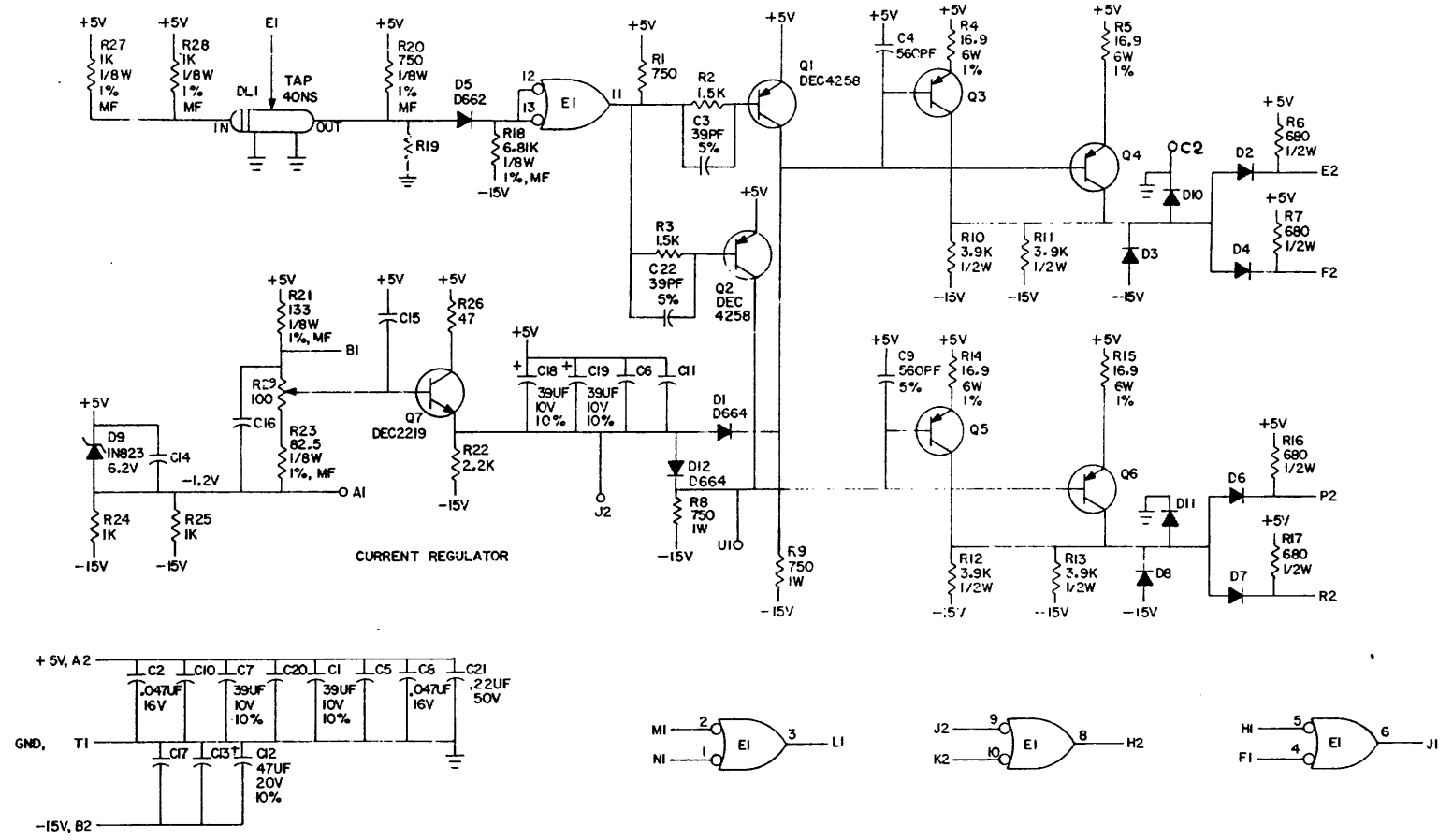


THIS SCHEMATIC IS FURNISHED ONLY FOR TEST AND MAINTENANCE PURPOSES. THE CIRCUITS ARE PROPRIETARY IN NATURE AND SHOULD BE TREATED ACCORDINGLY. COPYRIGHT 1971 BY DIGITAL EQUIPMENT CORPORATION



UNLESS OTHERWISE INDICATED:
 DIODES = D672
 RESISTORS = 1/4W, 5%
 TRANSISTORS = DEC3762 WITH HEATSINK
 CAPACITORS = .01UF, 100V, 20%
 E1 = DEC74H00
 PIN 14 = +5V
 PIN 7 = GND

NOTE:
 PINS C1 AND N2 ARE USED IN THE BACKPLANE FOR CURRENT LOOPS. THEY CANNOT BE USED ON THE MODULE.

DOTTED COMPONENTS ARE NOT USED IN THIS MODULE.

| STEP NO. | DEC PART NO. | DESCRIPTION | QTY. |
|------------|---------------|------------------------------|------|
| 39 | 1010274 | TAP, 22UF 50V | 1 |
| 38 | 900R268 | WAFERIZED THERMAL COPPERCLAD | 1 |
| 37 | 9008337-01 | HANDLE, FLIP CHIP - GREEN | 1 |
| 36 | 9006732 | EYELET WGS 4-7 | 2 |
| 35 | 1909056 | I.C. DEC 74H00 | 1 |
| 34 | 1609429 | DV 540 VARIABLE DELAY | 1 |
| 33 | 1509649 | TRANSISTOR 2N 3762 | 4 |
| 32 | 1505321 | TRANSISTOR DEC 4258 | 2 |
| 31 | 1501881 | TRANSISTOR DEC 2219-S | 1 |
| 30 | 1309679 | RES. 16.9, 6W, 1% | 4 |
| 29 | 1305410 | TRIMPOT 100 | 1 |
| 28 | 1302955 | RES. 750, 1/8W, 1% MF | 1 |
| 27 | 1304870 | RES. 6.81K, 1/8W, 1% MF | 1 |
| 26 | 1303114 | RES. 1K, 1/8W, 1% MF | 2 |
| 25 | 1303038 | RES. 133, 1/8W, 1% MF | 1 |
| 24 | 1302875 | RES. 82.5, 1/8W, 1% MF | 1 |
| 23 | 1302388 | RES. 750, 1W, 5% | 2 |
| 22 | 1301401 | RES. 750, 1W, 5% | 1 |
| 21 | 1300443 | RES. 3.9K, 1W, 5% | 4 |
| 20 | 1300417 | RES. 2.2K, 1W, 5% | 1 |
| 19 | 1300391 | RES. 1.5K, 1W, 5% | 2 |
| 18 | 1300375 | RES. 1K, 1W, 5% | 2 |
| 17 | 1300347 | RES. 680, 1W, 5% | 4 |
| 16 | 1300202 | RES. 47, 1W, 5% | 1 |
| 15 | 1202313 | HEAT SINK 22116 | 4 |
| 14 | 1105508 | DIODE 1N823 | 1 |
| 13 | 1105275 | DIODE D672 | 8 |
| 12 | 1100114 | DIODE D664 | 2 |
| 11 | 1100113 | DIODE D662 | 1 |
| 10 | 1009678 | CAP. .047UF, 16V, 50% -20% | 2 |
| 9 | 1004814 | CAP. 47UF, 20V, 10% S. TANT | 1 |
| 8 | 1001610 | CAP. .01UF, 100V, 10% | 10 |
| 7 | 1000076 | CAP. 39UF, 10V, 10% S. TANT | 4 |
| 6 | 1000025 | CAP. 560PF, 100V, 5% | 2 |
| 5 | 1000010 | CAP. 39PF, 100V, 5% | 2 |
| 4 | 5009401 | ETCHED CIRCUIT BOARD | 1 |
| 3 | B-MH-G230-0-6 | MODULE ECC HISTORY | |
| 2 | D-AH-G230-0-5 | ASSY/HCLC DRAWING LAYOUT | |
| 1 | K-CO-G230-0-4 | X-Y COORDINATE HCLC LOCATION | |
| PARTS LIST | | | |

| REV. | DATE | BY | CHKD | DESCRIPTION |
|------|------|----|------|-------------|
| 1 | | | | |
| 2 | | | | |
| 3 | | | | |
| 4 | | | | |
| 5 | | | | |
| 6 | | | | |
| 7 | | | | |
| 8 | | | | |
| 9 | | | | |
| 10 | | | | |

| TRANSISTOR & DIODE CONVERSION CHART | | | |
|-------------------------------------|--------|-------|------|
| DEC | EA | DEC | EA |
| D672 | 1N843S | 1N823 | SAME |
| D662 | 1N5418 | | |
| DEC4258 | 2N4258 | | |
| DEC3762 | 2N3762 | | |
| D664 | 1N3406 | | |

| | |
|------|---------|
| DATE | 1/18/75 |
| BY | W.A. |
| CHKD | S. P. |
| DATE | 3-14-75 |
| BY | W.A. |
| CHKD | W.A. |
| DATE | |
| BY | |
| CHKD | |

| | |
|----------------------|--------------------------------|
| TITLE | X AND Y CURRENT GENERATOR G230 |
| REV. | D |
| CODE | CS |
| NUMBER | 6230-0-1 |
| REV. | D |
| PRINTED CIRCUIT REV. | 0 |