

THIS DRAWING AND SPECIFICATIONS HEREIN ARE THE PROPERTY OF DIGITAL EQUIPMENT CORPORATION AND SHALL NOT BE REPRODUCED OR COPIED OR USED IN WHOLE OR IN PART AS THE BASIS FOR THE MANUFACTURE OR SALE OF ITEMS WITHOUT WRITTEN PERMISSION OF DIGITAL EQUIPMENT CORPORATION.

1	E51	IC DEC 74157	1910655	48
7	E68, E79, E88, E95, E107, E109, E115	IC DEC 74S158	1910549	49
3	E75, E93, E94	IC DEC 74163	1911713	50
2	E5, E42	IC DEC 74S175	1910957	51
8	E9, E11, E12, E16, E61, E99, E100, E114	IC DEC 74S194	1910552	52
1	E36	IC DEC 380	1909485	53
2	E67, E73	IC DEC 8093	1910837	54
4	E77, E84, E104, E105	IC DEC 8097	1911527	55
3	E90, E86, E98	IC DEC 8234	1911315	56
3	E81, E87, E92	IC DEC 8235	1909935	57
1	E31	IC DEC 8271	1909615	58
5	E30, E35, E37, E39, E55	IC DEC 8881	1909705	59
11	E50, E62, E83, E91, E96, E97, E103, E106, E108, E111, E112	IC DEC 74173-1	1911320-01	60
1	E69	256 BIT ROM (A)	23078A1	61
1	E57	256 BIT ROM (B)	23077A1	62
1	E70	256 BIT ROM (C)	23076A1	63
1	E72	256 BIT ROM (D)	23075A1	64
1	E76	256 BIT ROM (E)	23074A1	65
1	E63	256 BIT ROM (H)	23073A1	66
1	E38	256 BIT ROM (J)	23079A1	67
1	E53	1024 BIT ROM (F)	23080A2	68
6	WIPE	30AWS GREEN	9105740	69

SWITCH SELECTION CHART
(FOR AUTO RESTART LOCATION)

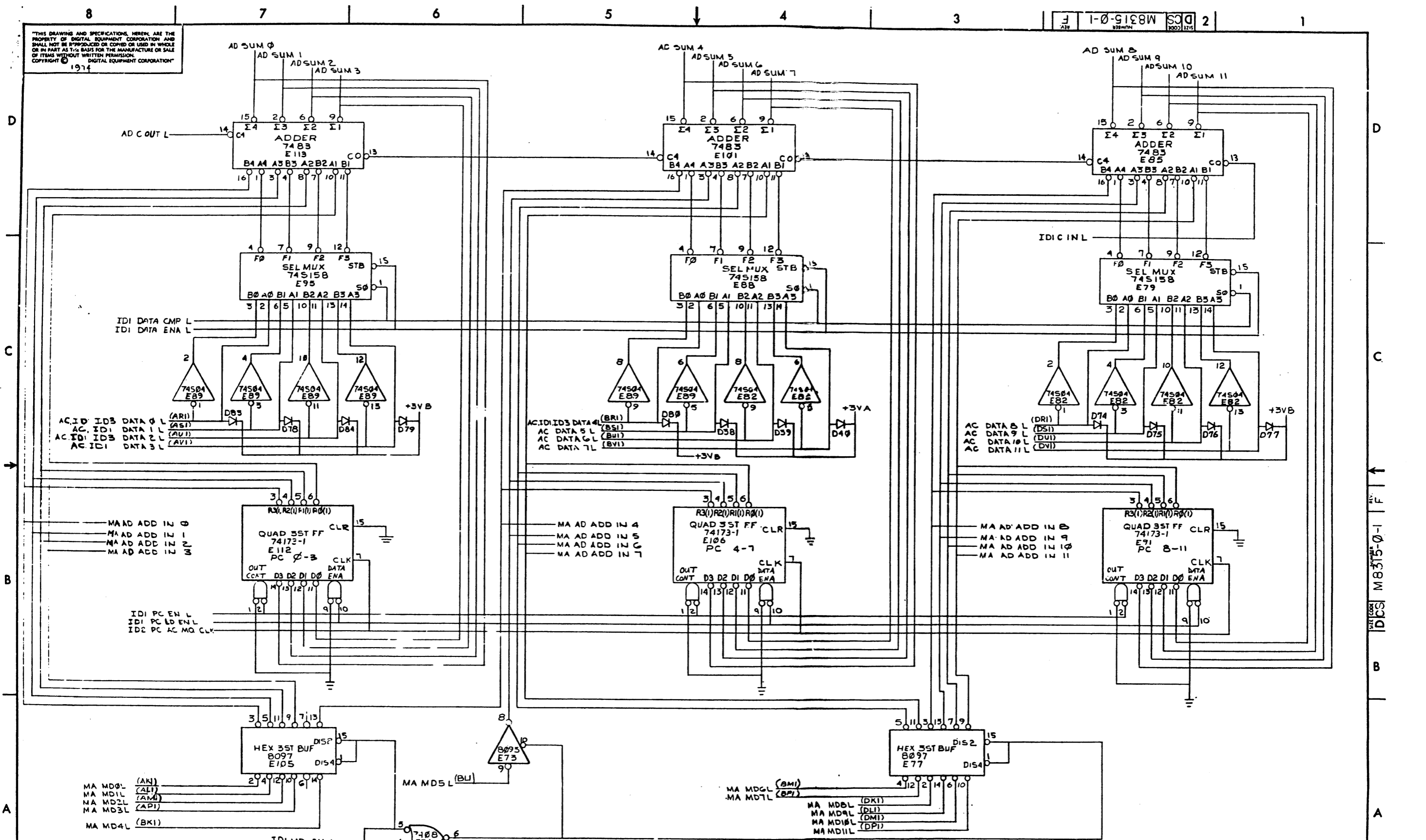
SWI-	1	FIELD 7	} ONLY ONE SWITCH MAY BE CLOSED AT A TIME.
	2	4200	
	3	2200	
	4	1000	
	5	420	
	6	200	
	7	OFF (DISABLES AUTO RESTART)	
	8	OFF FOR NORMAL OPERATION	

COMPONENT SUBSTITUTION CHART

PART CALLED FOR			SUBSTITUTE PART		
QTY	PART NO	DESC	QTY	PART NO	DESC
1	1909485	IC 380	1	1910392	3350
			1	1909971	3380
			1	1910390	7330
			1	1911469	8640

REVISIONS		
CHK	CHANGE NO	REV

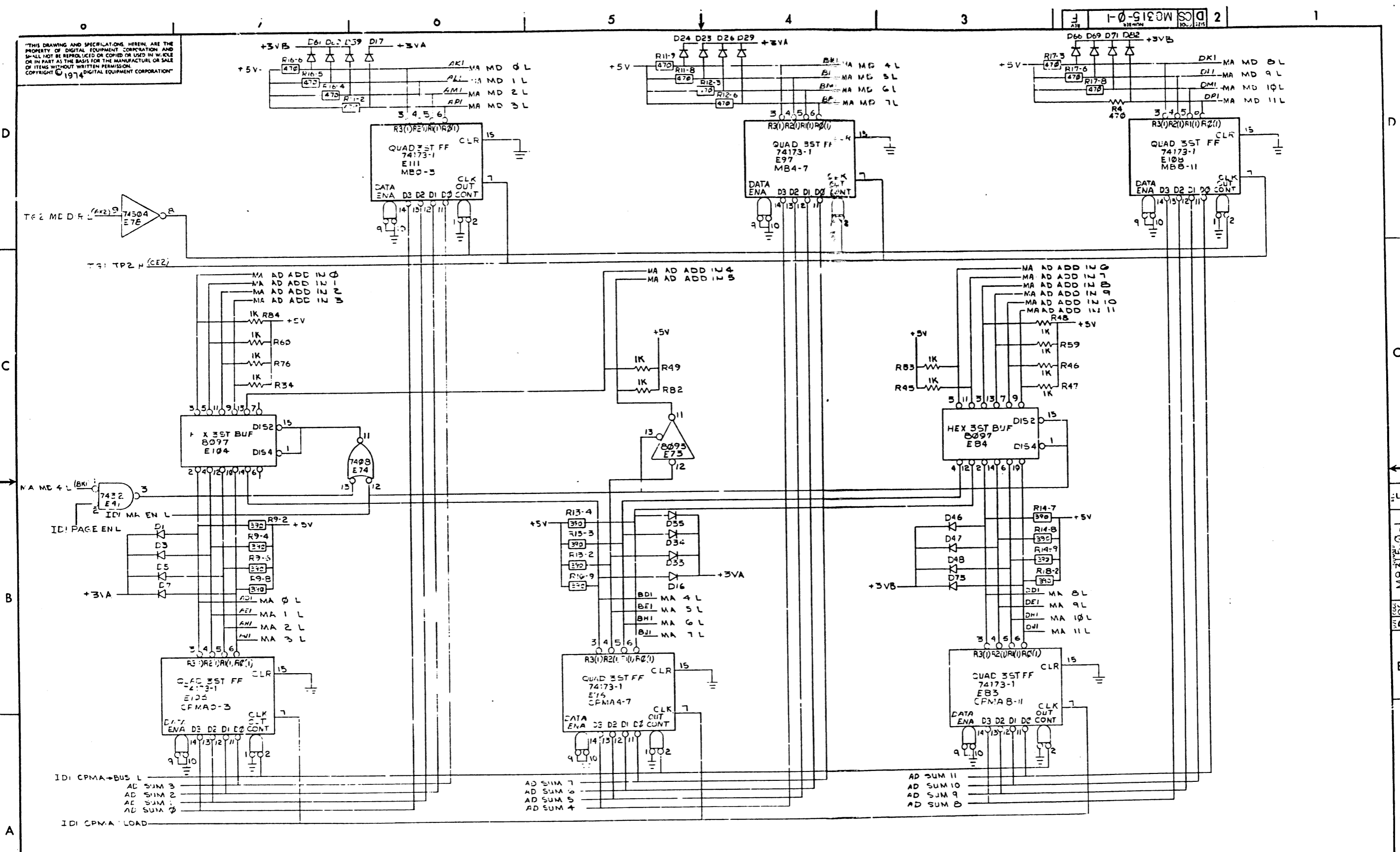
THIS DRAWING AND SPECIFICATIONS HEREIN ARE THE PROPERTY OF DIGITAL EQUIPMENT CORPORATION AND SHALL NOT BE REPRODUCED OR COPIED OR USED IN WHOLE OR IN PART AS A BASIS FOR THE MANUFACTURE OR SALE OF ITEMS WITHOUT WRITTEN PERMISSION. COPYRIGHT © 1974 DIGITAL EQUIPMENT CORPORATION



REVISIONS		
CHK	CHANGE NO.	REV.

TITLE	PDP8A CPU	SIZE CODE	(AD) DCS	NUMBER	M8315-0-1	REV.	F
SCALE	1/1	SHEET	4 OF 10	DIST.			

THIS DRAWING AND SPECIFICATIONS HEREIN ARE THE PROPERTY OF DIGITAL EQUIPMENT CORPORATION AND SHALL NOT BE REPRODUCED OR COPIED OR USED IN WHOLE OR IN PART AS THE BASIS FOR THE MANUFACTURE OR SALE OF ITEMS WITHOUT WRITTEN PERMISSION. COPYRIGHT © 1974 DIGITAL EQUIPMENT CORPORATION



REVISIONS		
CHK	CHANGE NO	REV

TITLE	PDP9A CPU (MA)	SIZE CODE	D.S.	NUMBER	13315-0-1	REV.	F
SCALE	/ /	SHEET	5	OF	10	DIST.	