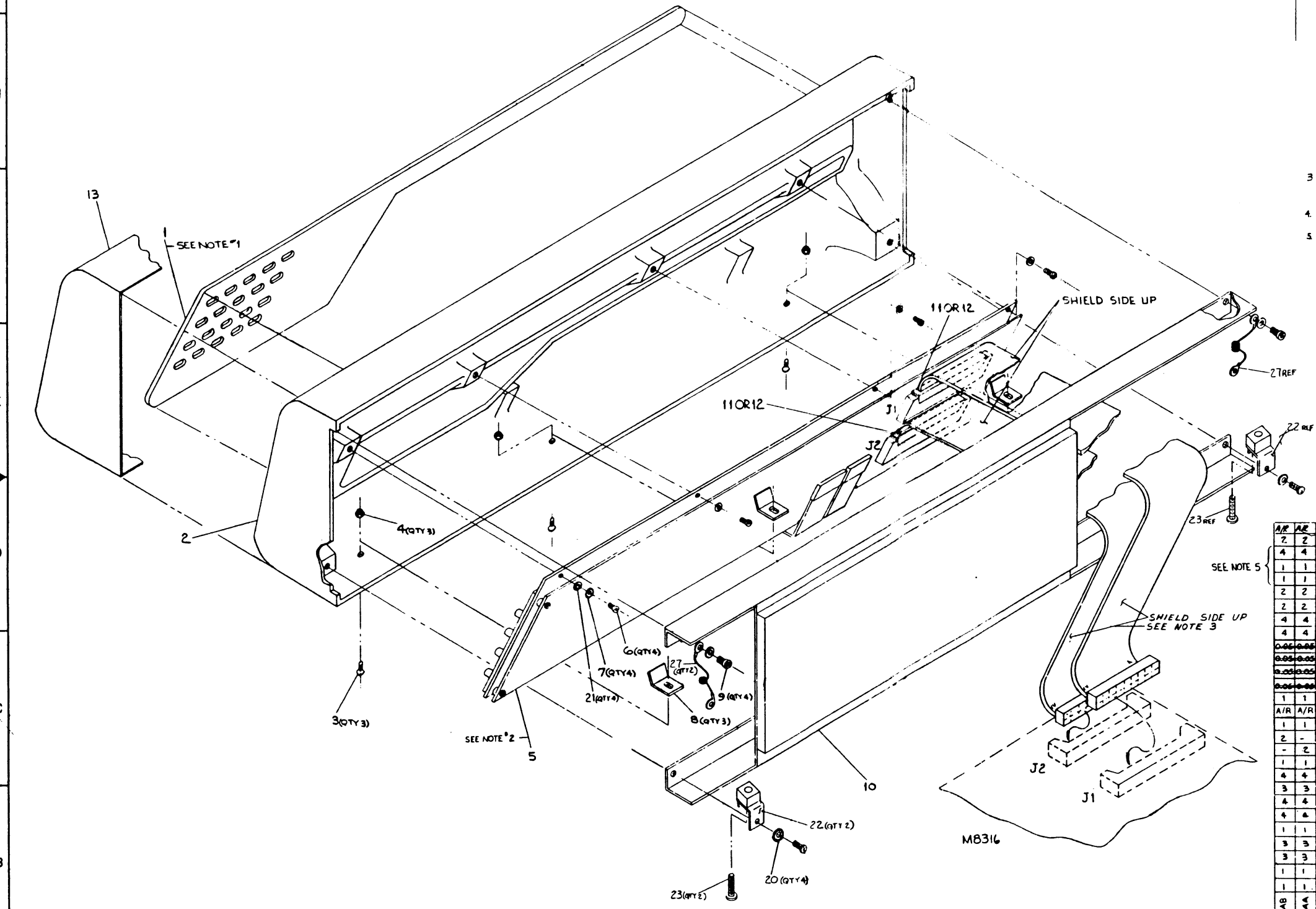


DO NOT SCALE DRAWING

LEGEND	
PART NO	VARIATION
KCB-AA	PROG'S CONSOLE (SEE PL)
KCB-AB	REMOTE PROG'S CONSOLE (SEE PL)

- NOTES:
- ASSEMBLE ITEM #1 (PANEL) TO ITEM #2 (BEZEL) USING SILASTIC ADHESIVE ITEM #14
 - FOR PROPER ALIGNMENT OF KEYPAD OF MODULE ASSEMBLY (ITEM #5) INTO BEZEL (ITEM #2), DO THE FOLLOWING:
 - PLACE MODULE ASSEMBLY (ITEM #5) INTO BEZEL (ITEM #2).
 - START MOUNTING HARDWARE, ITEMS 6, 7 AND 21 INTO BEZEL.
 - BEFORE TIGHTENING DOWN ITEMS 6, 7 AND 21, PUSH MODULE ASSEMBLY TOWARDS THE TOP OF BEZEL. THE KEYPAD, WHEN VIEWED FROM THE FRONT OF BEZEL, SHOULD JUST TOUCH THE TOP EDGE OF THE KEYPAD CUTOUTS IN BEZEL.
 - TIGHTEN ITEMS 6, 7 AND 21.
 - NOW SECURE MODULE ASSEMBLY BOTTOM TO BEZEL WITH ITEMS 3, 4 AND 8; BEING SURE THAT CLIPS (ITEM #8) ARE PRESSED FIRMLY AGAINST MODULE ASSEMBLY.
 - MATE BC0BR CABLES
 J1 (KCB-A) TO J1 (M8316)
 J2 (KCB-A) TO J2 (M8316)
 - SEE SHEET 2 FOR INSTRUCTIONS OF MOUNTING BEZEL TO BOX AND CABINET
 - LOOSE SHIP ITEMS 24, 25 & 26 WITH ASSY



A/R	AE	INSTRUCTIONS, PRG.	3700187	28
2	2	CABLE ASSY, FLEX	1212907-01	27
4	4	SCR PPH 10-32X.50	9004073-03	26
1	1	BRKT CABINET	7419709-1	25
1	1	BRKT CABINET	7419709-0	24
2	2	SCR, SOC. HD, 10-32X.10	9006350-08	23
2	2	BRKT, BEZEL	C-1A-701524	22
4	4	WASHER FLAT	9006653	21
4	4	WASH, EXT TOOTH LOCK #8	9008151	20
0.00	0.00	POLY BAG	0000000	18
0.00	0.00	LAMINATED BUILD UP L	9005303-01	18
0.00	0.00	LAMINATED BUILD UP R-N	9005303-00	18
0.00	0.00	RESIN W/ STYRENE CATION	9005304-00	18
1	1	SHIPPING LIST	A-PL-KCB-A-2	15
A/R	A/R	ADHESIVE, SILASTIC	9009158	14
1	1	COVER, PROTECTIVE BEZEL	D-MD-7413361-0-0	13
2	-	I/O CABLE BC0BR	C-UA-BC0BR-12	12
-	2	I/O CABLE BC0BR	C-UA-BC0BR-01	11
1	1	BRACKET BEZEL	C-1A-7411987-0-0	10
4	4	SCR PHL HD PAN #32 X.38	9006037-1	9
3	3	CLIP	B-MD-7412352-0-0	8
4	4	WASH, EXT TOOTH LOCK #6	9007649	7
4	4	SCR PHL HD PAN #32 X.25	9006020-1	6
1	1	KEYBOARD ASSY	D-AD-7010644-00	5
3	3	NUT KEPS #4-40	9006557	4
3	3	SCR PHL HD FLAT #4.40 X.375	9006011-2	3
1	1	BEZEL (MACHINED DIE ON)	L-MD-7412349-3-0	2
1	1	PANEL	D-1A-7412395-1-0	1

FIRST USED OR OPTIONAL MODEL	QTY.	QTY.	DESCRIPTION	PART NO.	ITEM NO.
B/A					

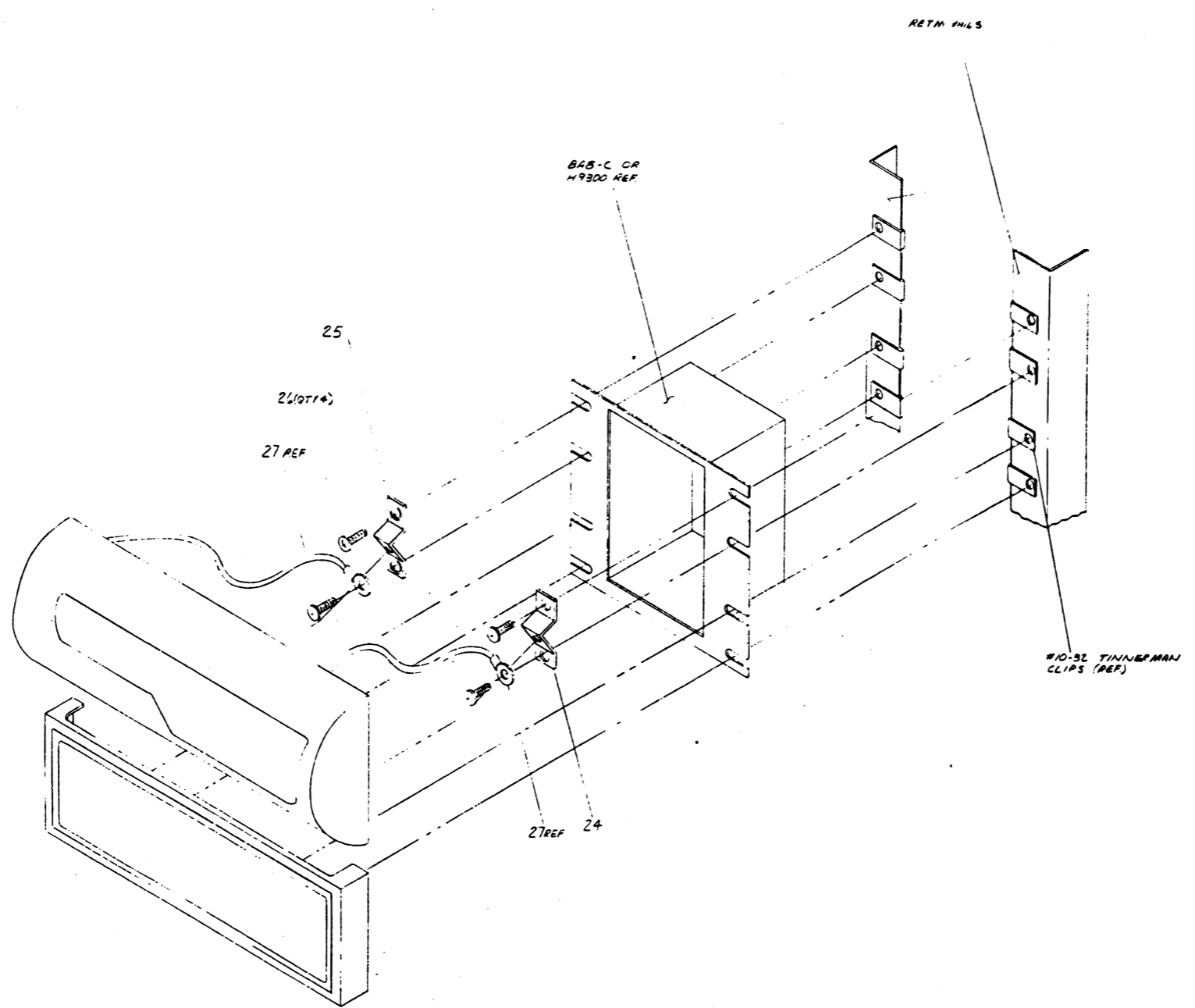
DIMENSIONAL TOLERANCE UNLESS OTHERWISE SPECIFIED DECIMALS ARE .0005 FRACTIONS ARE 1/16"	DATE 12/14/74 BY J. J. B.	TITLE BEZEL ASSY
DRAWN BY P. SCARLETT CHECKED BY P. SCARLETT DATE 12/14/74	DATE 12/14/74 BY J. J. B.	MATERIAL SEE PARTS LIST
FINISH POLISHED	PROJECTION FIRST ANGLE	NEXT HIGHER ASSY. B-DD-KCB-A
SCALE AS SHOWN	SHEET 1 OF 2	NUMBER E UA KCB-A-0

KCB-A-0

A

mc

THE COMPANY AND SPECIFICATIONS HEREON ARE THE PROPERTY OF BUREAU OF ELECTRIC EQUIPMENT CORPORATION AND SHALL NOT BE REPRODUCED OR COPIED IN WHOLE OR IN PART WITHOUT WRITTEN PERMISSION.
 JUNE 1977 BUREAU OF ELECTRIC EQUIPMENT CORPORATION

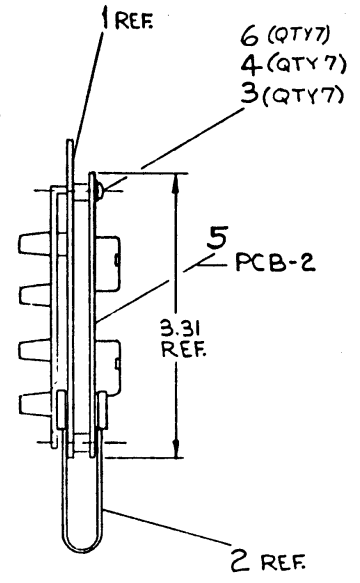
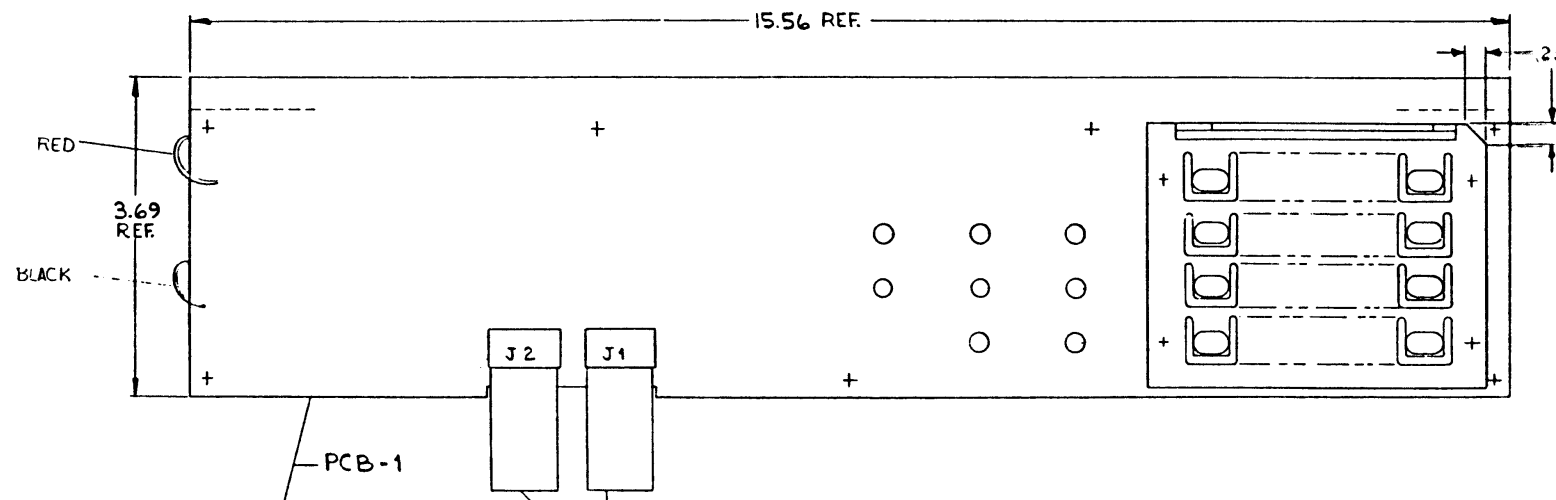
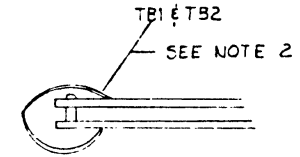


REVISIONS		
CHR	CHANGE NO	REV

"THIS DRAWING AND SPECIFICATIONS HEREIN ARE THE PROPERTY OF DIGITAL EQUIPMENT CORPORATION AND SHALL NOT BE REPRODUCED OR COPIED OR USED IN WHOLE OR IN PART AS THE BASIS FOR THE MANUFACTURE OR SALE OF ITEMS WITHOUT WRITTEN PERMISSION. COPYRIGHT © 1974, DIGITAL EQUIPMENT CORPORATION"

DO NOT SCALE DRAWING

- NOTES:
1. INSTALL ITEM #2 (CABLE) AS FOLLOWS.
PCB-1-J1 TO PCB-2-J3
PCB-1-J2 TO PCB-2-J4
 2. CONNECT RED WIRE FROM PCB-1 TO TB1 ON PCB-2. CONNECT BLACK WIRE FROM PCB-1 TO TB2 ON PCB-2.
 3. ITEM #7 MAY BE RECYCLED WHEN USED FOR INTERPLANT SHIPMENT.
 4. CLIP UPPER RIGHT HAND LIP OF KEYPAD OFF TO ALLOW PROPER ALIGNMENT INTO BEZEL.



SEE NOTE 3 →

QTY.	DESCRIPTION	PART NO.	REV.
1	PACKAGING INSTRUCTIONS	A-SP-3700188-0-0	7
7	WASHER, FLAT # 4	9006655	6
1	REGISTERS AND CONTROL	D-CS-5411316-0-1	5
7	WASH INT LOCK #4	9006632	4
7	SCR PHL HDPAN #4-40X.25	9008301-1	3
2	CABLE, KEYBOARD	C-1A-7008612-0-D	2
1	INDICATOR DISPLAY	D-CS-5411241-0-1	1

REV.	CHANGE NO.	DATE	BY	CHK
A	7010644-00001	12-10-74	G. L. ORD	P. SCANTLEBURY
B	7010644-00002	11-23-75	P. SCANTLEBURY	P. SCANTLEBURY
C	7010644-00003	11-23-75	P. SCANTLEBURY	P. SCANTLEBURY

FIRST USED ON OPTION/MODEL 8/A		DATE 12-10-74	
DIMENSIONAL TOLERANCE		DATE 1-23-75	
DIMENSIONS ARE INCHES UNLESS OTHERWISE SPECIFIED		DATE 1-23-75	
MILLIMETERS	INCHES	ANGLES	DATE 1-23-75
XXX ±.010	XXX ±.005	90° 30'	DATE 1-23-75
XX ±.05	XX ±.02		DATE 1-23-75
X ±.25	X ±.1		DATE 1-23-75
THIRD ANGLE PROJECTION	REMOVE BURRS AND BREAK SHARP CORNERS SURFACE QUALITY	NEXT HIGHER ASSY.	TITLE KEYBOARD ASSY.
MATERIAL SEE PARTS LIST	FINISH	SCALE 1/1	SIZE CODE D AD 7010644-0-0
SHEET OF		NUMBER REV. C	

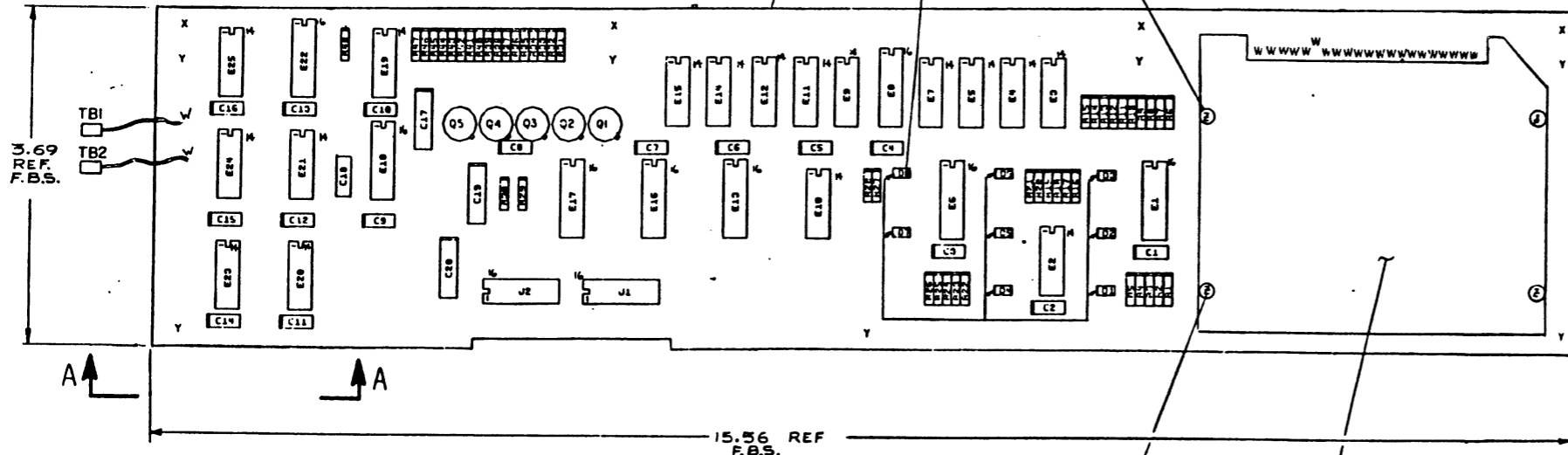
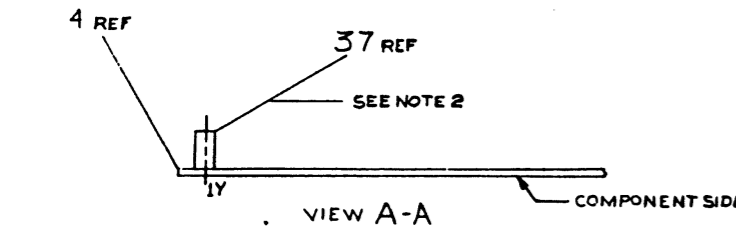
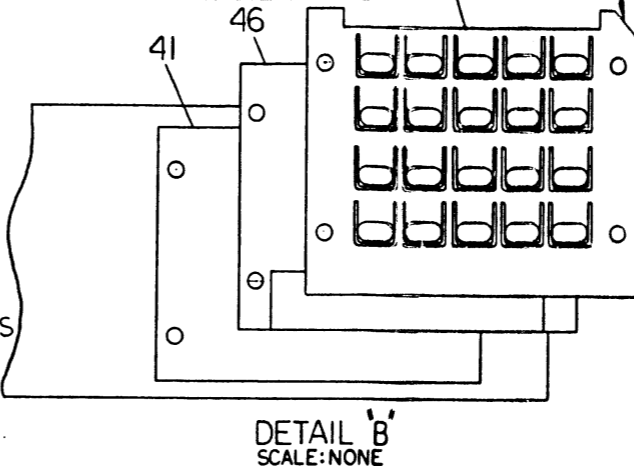
"THIS DRAWING AND SPECIFICATIONS, HEREIN, ARE THE PROPERTY OF DIGITAL EQUIPMENT CORPORATION AND SHALL NOT BE REPRODUCED OR COPIED OR USED IN WHOLE OR IN PART AS THE BASIS FOR THE MANUFACTURE OR SALE OF ITEMS WITHOUT WRITTEN PERMISSION.
COPYRIGHT © 1974 DIGITAL EQUIPMENT CORPORATION"

NOTES:

- HAND INSERT KEYPAD AFTER WAVE SOLDERING
- MOUNT ITEM #37 (INSERTS) IN 7 HOLES, AFTER COMPONENTS HAVE BEEN MOUNTED.
- DEC PART NUMBER 1210054 MAY BE SUBSTITUTED FOR DEC 1211813-01 ON THIS BOARD.
- USE #4 HARDWARE ITEMS (38, 39 & 40) TO MOUNT ITEMS 12 & 41 TO SIDE 1, EXCEPT AT LOWER LEFT CORNER.
- USE ITEM 36 BETWEEN ITEM 9 (LED) AND BOARD BEFORE SOLDERING.
- SEE DETAIL 'B' FOR ASSEMBLY OF KEYPAD.
- CLIP OFF CORNER BEFORE ASSEMBLY TO BOARD.

WIRE TABLE

ITEM	FROM	WITH	TO	WITH	LENGTH
42	TB1	SOLDER	FREE	44	3.0"
43	TB2	SOLDER	FREE	44	3.0"



REF	X-Y COORDINATE HOLE LOCATION	K-CO-5411241-B-4	1	
REF	ASSY/DRILLING HOLE LAYOUT	D-AN-5411241-B-5	2	
REF	MODULE ECO HISTORY	D-MN-5411241-B-6	3	
1	ETCHED CIRCUIT BOARD	9011240	4	
1	C10	CAPACITOR, 820f, 100V, 5%	1000015	5
18	C1 THRU C10	CAPACITOR, .01uf, 50V, AXIAL	1001810-00	6
1	C17	CAPACITOR, 1.0uf, 35V, 10%	1001776-00	7
2	C19, C20	CAPACITOR, 0.0uf, 35V, 10%	1005306	8
8	D1 THRU D8	LED	1110864	9
9	E3, E5, E7, E9, E11, E12, E14, E15, E4	14 PIN I.C. SOCKET	1211813-01 SEE NOTE #3	10
2	J1, J2	16 PIN I.C. SOCKET	1210818-02	11
1		KEYPAD ASSY.	1211858	12
1	R29	RESISTOR, 220, 1/4W, 5%	1308271	13
8	R10 THRU R21, R27, R28	RESISTOR, 330, 1/4W, 5%	1300295	14
5	R32, R35, R38, R41, R44	RESISTOR, 470, 1/4W, 5%	1300318	15
21	R1 THRU R15, R22 THRU R26, R48	RESISTOR, 1K, 1/4W, 5%	1300365	16
1	R48	RESISTOR, 10K, 1/4W, 5%	1300479	17
4	R36, R38, R42, R45	RESISTOR, 10, 1/4W, 5%	1301317	18
1	R30	RESISTOR, 750, 1/4W, 5%	1301401	19
8	R31, R33, R34, R37, R40, R43	RESISTOR, 27, 1/4W, 5%	1301522	20
1	R47	RESISTOR, 0.8K, 1/4W, 5%	1301423	21
5	Q1 THRU Q5	TRANSISTOR, MPSA05	1510705	22
1	E23	I.C. DEC 7474	1905547	23
1	E21	I.C. DEC 7420	1905577	24
1	E25	I.C. DEC 7490	1909051	25
1	E24	I.C. DEC 7495	1909055	26
1	E22	I.C. DEC 8251	1909594	27
1	E20	I.C. DEC 7404	1909888	28
1	E19	I.C. DEC 7418	1909928	29
1	E17	I.C. DEC 74145	1910047	30
2	E2, E10	I.C. DEC 7400	1910155	31
1	E18	I.C. DEC 74123	1910438	32
2	E1, E8	I.C. DEC 9310	1910454	33
3	E0, E13, E16	I.C. DEC 7447A	1911295	34
9	E3, E4, E5, E7, E9, E11, E12, E14, E15	7 SEG DISPLAY	1911297	35
B		WASHER, SHOULDER	9008518	36
7		INSERTS, PC BOARD	9009113-2	37
2		SCREW PHILIPS 4-40x3/8	9006014-01	38
1		NUT, KEP 4-40	9006557	39
1		WASHER, FLAT .312 X.125 ID X.027	9006655	40
1		SPACER KEY PAD	B-MD-7413722-0	41
3*		WIRE #22 AWG (RED)	9107350-22	42
3*		WIRE #22 AWG (BLACK)	9107350-00	43
2		CONN, SOLDERLESS (RED)	9007970	44
1		SPACER, FICER 4-43, 250X 312L6	0000033	45
1		RETAINER, KEYBOARD ASSY.	C-1A-7013177-0-0	46
1		SPACER, HEX, NYLON 4-40 X 1/4	9009237	47

QTY	REF. DESIGNATION	DESCRIPTION	PART NO.	ITEM NO.
PARTS LIST				
ETCH BOARD REV. D				
KCBAA				
FIRST USED ON OPTION MODEL				
SEMICONDUCTOR CONVERSION CHART				
DEC NO.	EIA NO.	DEC NO.	EIA NO.	

IC TYPE	GND	+5V
DEC I.C. 8251	8	16
DEC I.C. 7490	10	5
DEC I.C. 74145	8	16
DEC I.C. 7495	8	14
DEC I.C. 9310	8	16
DEC I.C. 74123	8	16

CHK	CHANGE NO.	REV.
	ORIGINATED	B
	REVISED	C
	REVISED	D
	REVISED	E
	REVISED	F
	REVISED	G
	REVISED	H
	REVISED	I
	REVISED	J

digital

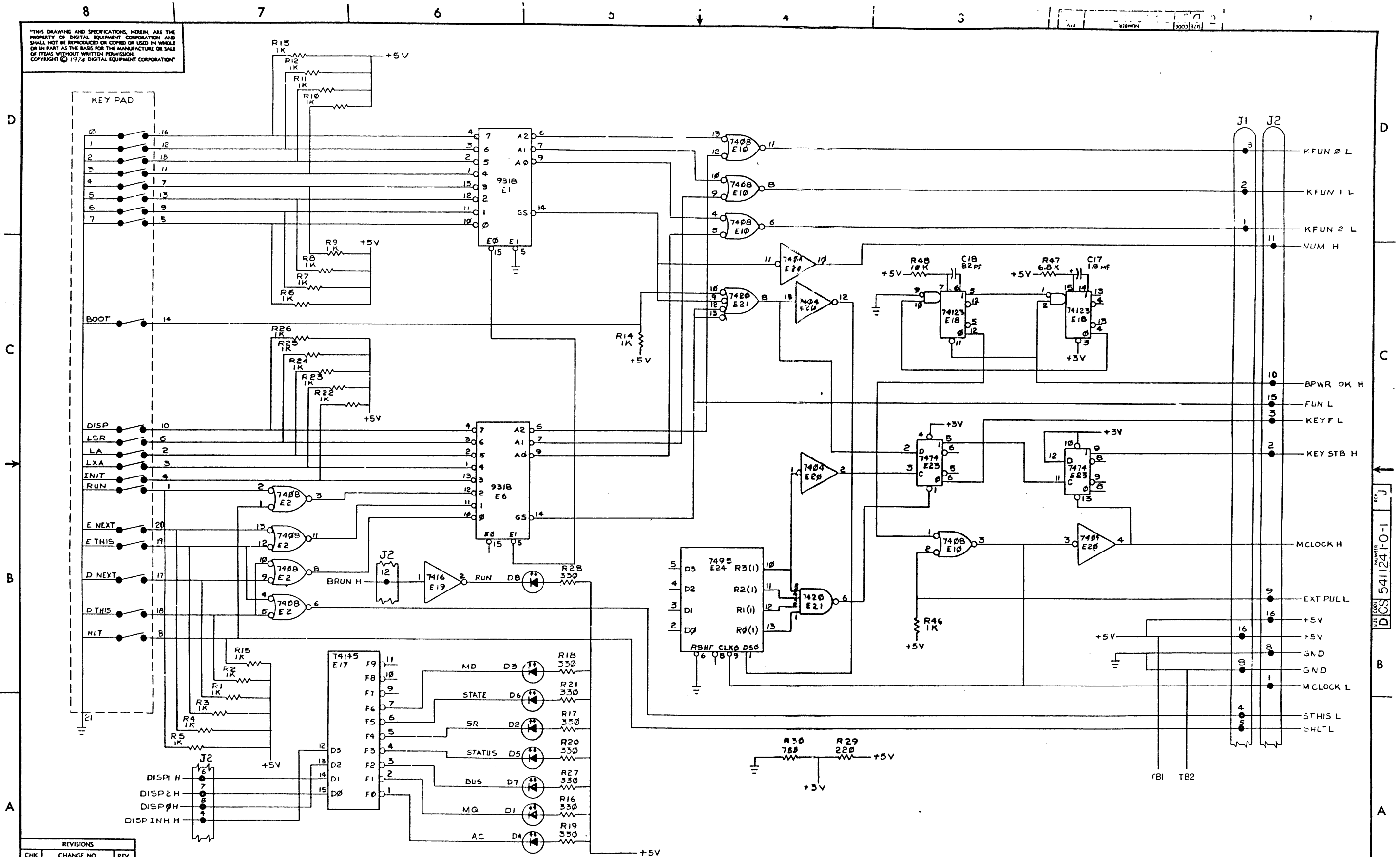
TITLE: INDICATOR DISPLAY

SIZE: DCS 5411241-0-1

REV: J

SHEET 1 OF 3

"THIS DRAWING AND SPECIFICATIONS HEREIN ARE THE PROPERTY OF DIGITAL EQUIPMENT CORPORATION AND SHALL NOT BE REPRODUCED OR COPIED OR USED IN WHOLE OR IN PART AS THE BASIS FOR THE MANUFACTURE OR SALE OF ITEMS WITHOUT WRITTEN PERMISSION. COPYRIGHT © 1974 DIGITAL EQUIPMENT CORPORATION"

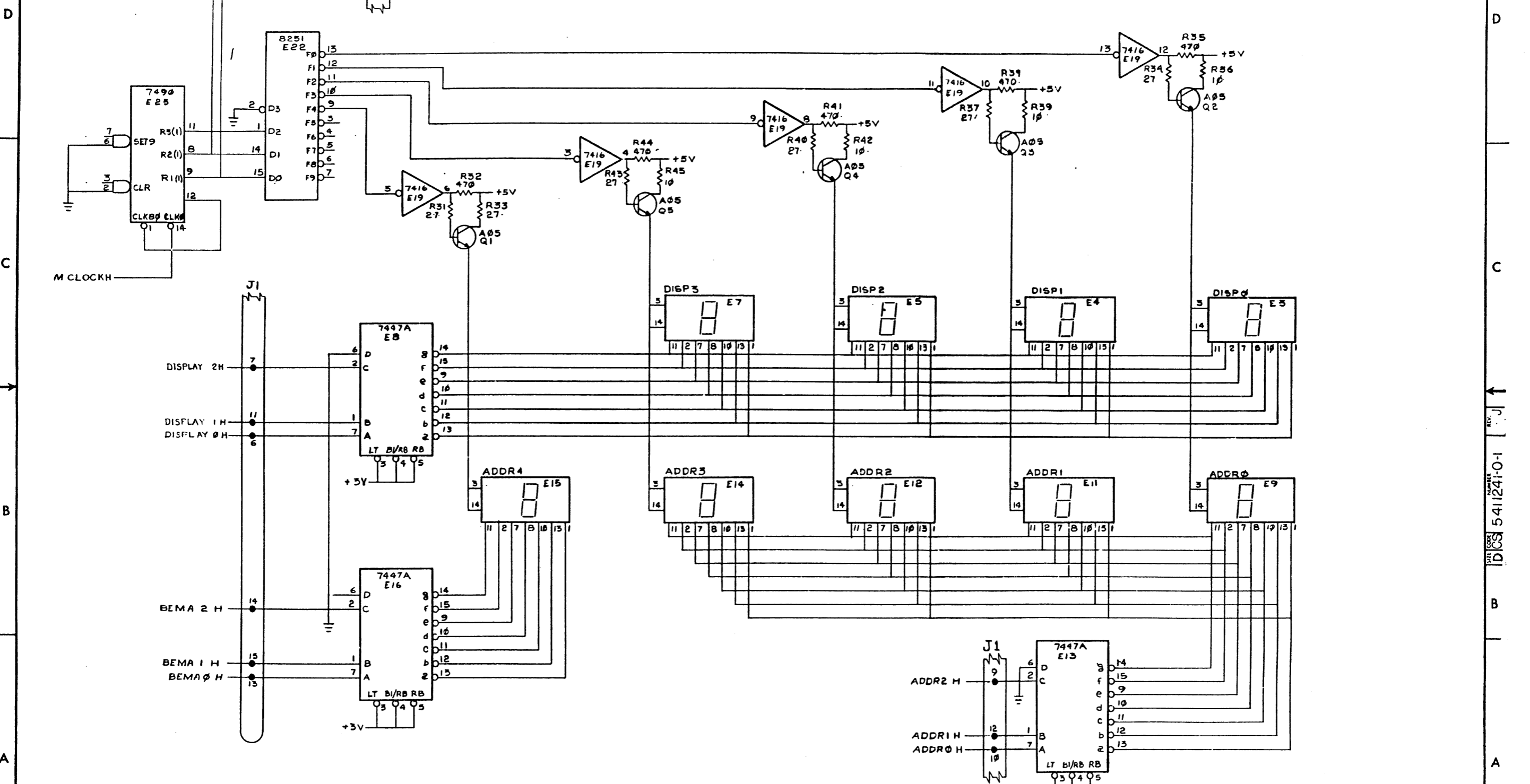


REVISIONS		
CHK	CHANGE NO.	REV.

TITLE	INDICATOR DISPLAY	SIZE CODE	DCS	NO: 8°R	REV.	J.
SCALE	1:1	SHEET	2	OF 3	DIST.	

REV. J
DCS 541124-0-1

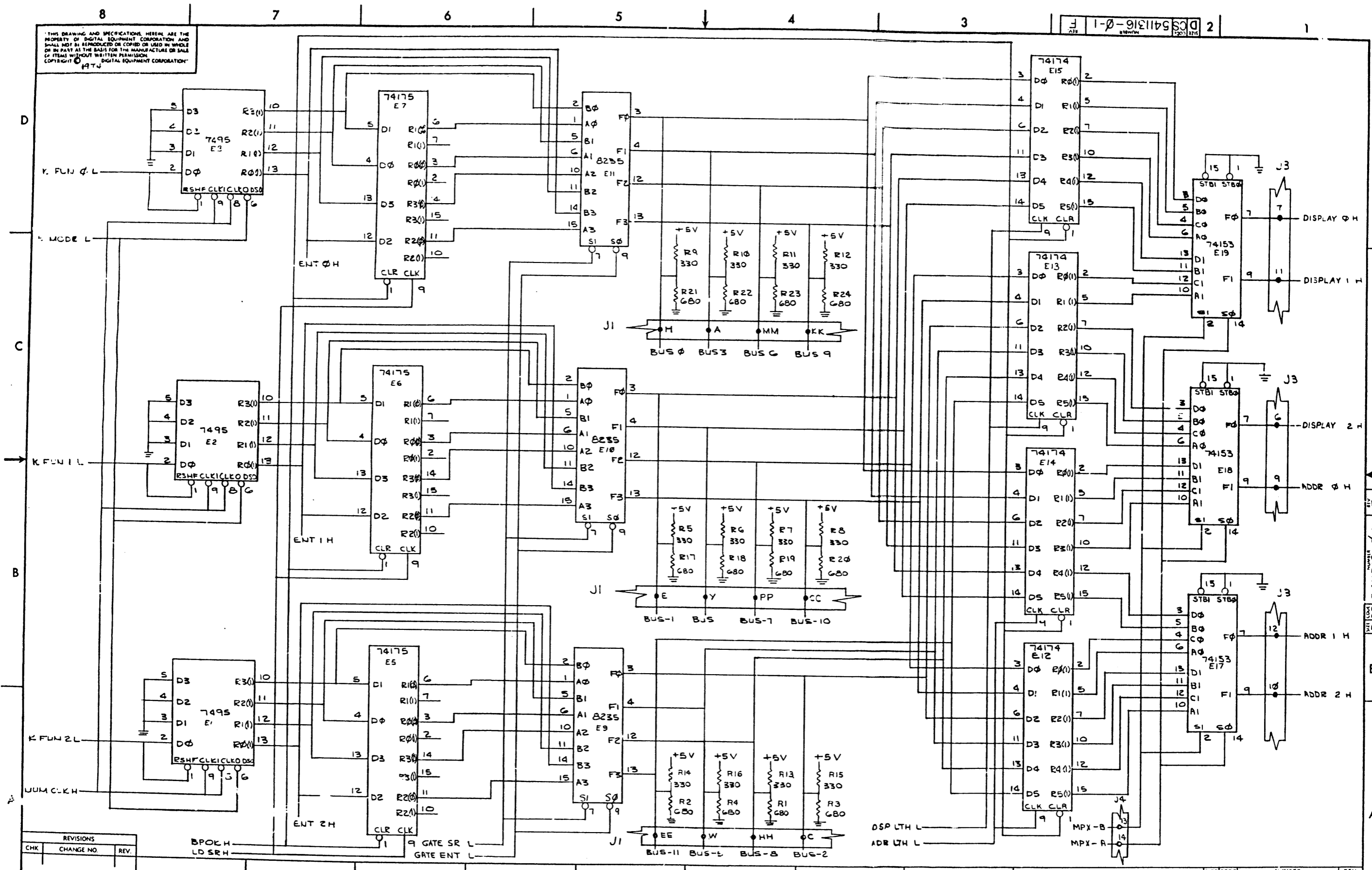
THIS DRAWING AND SPECIFICATIONS HEREIN ARE THE PROPERTY OF DIGITAL EQUIPMENT CORPORATION AND SHALL NOT BE REPRODUCED OR COPIED OR USED IN WHOLE OR IN PART AS THE BASIS FOR THE MANUFACTURE OR SALE OF ITEMS WITHOUT WRITTEN PERMISSION. COPYRIGHT © 1974, DIGITAL EQUIPMENT CORPORATION.



REVISIONS		
CHK	CHANGE NO.	REV.

TITLE	INDICATOR DISPLAY	SIZE CODE	DCS	NUMBER	54112410-1	REV.	J
SCALE	1:1	SHEET	3	OF	3	DIST.	

THIS DRAWING AND SPECIFICATIONS HEREIN ARE THE PROPERTY OF DIGITAL EQUIPMENT CORPORATION AND SHALL NOT BE REPRODUCED OR COPIED OR USED IN WHOLE OR IN PART AS THE BASIS FOR THE MANUFACTURE OR SALE OF ITEMS WITHOUT WRITTEN PERMISSION. COPYRIGHT © 1974 DIGITAL EQUIPMENT CORPORATION.

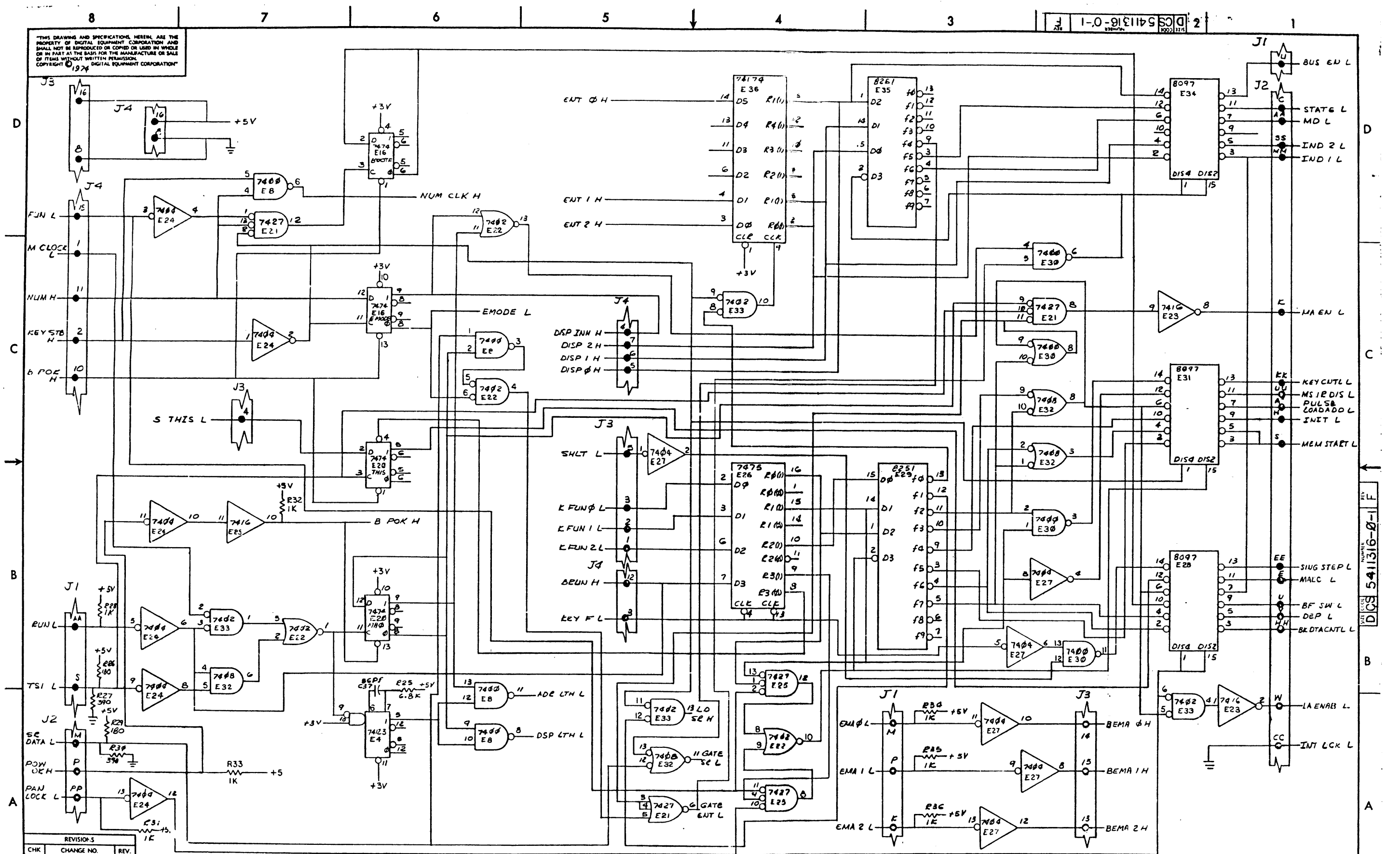


REVISIONS		
CHK	CHANGE NO.	REV.

BPOKH
LD SRH

GATE SR L
GATE ENT L

THIS DRAWING AND SPECIFICATIONS HEREIN ARE THE PROPERTY OF DIGITAL EQUIPMENT CORPORATION AND SHALL NOT BE REPRODUCED OR COPIED OR USED IN WHOLE OR IN PART AS THE BASIS FOR THE MANUFACTURE OR SALE OF ITEMS WITHOUT WRITTEN PERMISSION. COPYRIGHT © 1974 DIGITAL EQUIPMENT CORPORATION



REVISION 5

CHK	CHANGE NO.	REV.

TITLE	SIZE CODE	NUMBER	REV.
REGISTERS & CONTROL	DCS 5411316-0-1	3	F

SHEET 3 OF 3