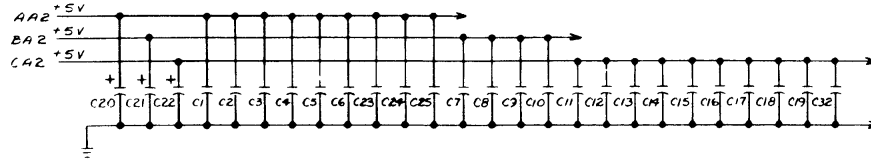


NOTES:
 1. UNLESS OTHERWISE NOTED,
 CAPACITOR 514F 100V 21%
 RESISTOR 220 1/4W 5%

QTY	REF DESIGNATION	DESCRIPTION	PART NO.	QTY
2	R84, R83	RES 470K 1/4W 5%	1302398	40
1	C29	CAP 33 P.F. 100V 5% D.M.	1000009	31
1		GRIPLET	1210244-C	1
4		HANDLE FLIP CHIP - MAGENTA	9008337-C6	17
8		EYELET GS 4-11 STAMPSCA	9006750	14
3	E2, E3, E4	IC DEC 74123	1910426	15
2	E23, E42	IC DEC 2501	1910010	14
5	E10, E16, E16, E20, E30	IC DEC 6380	1909971	13
4	E13, E18, E22, E27	IC DEC 7417	1909929	12
5	E17, E21, E33, E36	IC DEC 7416	1909928	31
6	E125, E28, E31, E34, E40	IC DEC 8881	1909705	12
3	E26, E38, E41	IC DEC 7404	1909686	29
4	E15, E32, E35, E37	IC DEC 384	1909486	13
1	E29	IC DEC 7402	1909004	1
1	E39	IC DEC 7430	1905578	1
1	E24	IC DEC 7420	1905577	1
2	E5, E8	IC DEC 7410	1905576	24
1	E11	IC DEC 7400	1905575	1
4	E6, E7, E9, E19	IC DEC 7474	1905547	1
7	Q1 THRU Q7	TRANSISTOR DEC 3009B	1503100	21
2	R81, R82	RES 60K 3/4W 10% 76 PR	1307143-13	20
1	R79	RES 4.7K 1/4W 5%	1300447	1
4	R65 THRU R68	RES 6.8K 1/4W 5%	1301423	1
6	R50, R49, R47, R53, R54, R59	RES 27 1/4W 10%	1301420	17
1	R80	RES 5.6K 1/4W 5%	1301874	1
68	R1 THRU R43, R45, R46, R48, R49, R51, R52, R54, R55, R57, R58, R60, R61 THRU R64, R69 THRU R78	RES 220 1/4W 5%	1300271	15
3		HEADER RIGHT ANGLE	1209941	14
43	D1 THRU D43	DIODE D664	1100114	13
10	D44 THRU D53	DIODE D662	1100113	12
23	C1 THRU C19, C23, C24, C25, C32	CAP .01UF, 100V, 20% DISC	1001610	11
3	C20, C21, C22	CAP 6.8UF, 35V, 10% S-TAAT	1005206	10
1	C30	CAP 150PF, 100V, 5% D.M.	1000019	7
2	C27, C28	CAP 68PF, 100V, 5% D.M.	1000014	7
1	C26	CAP 33PF, 100V, 5% D.M.	1000010	7
2	C31, C26	CAP 10PF, 100V, 5% D.M.	1000006	6
1		ETCHED CIRCUIT BOARD	5009594	5
REF		MODULE ECO HISTORY	B-MH-MB350-0-1	4
REF		ASSY/DRILLING HOLE LAYOUT	D-AH-MB350-0-1	3
REF		X-Y COORDINATE HOLE .30" DIA	K-CO-MB350-0-1	2
4		SPACER (CABLE CLAMP)	1202704	1



IC TYPE	QTY	FROM PT	TO PT
DEC 2501	1	5	16
DEC 74123	3	1	8
DEC 6380	1	1	8
DIC 384	1	1	8

ETCH BOARD REV C

DATE: 5-3-71

FILE: POSITIVE I/O BUS INTERFACE

DEC 3009 B 2N 3009 B

D664 IN 3606

D662 IN C45

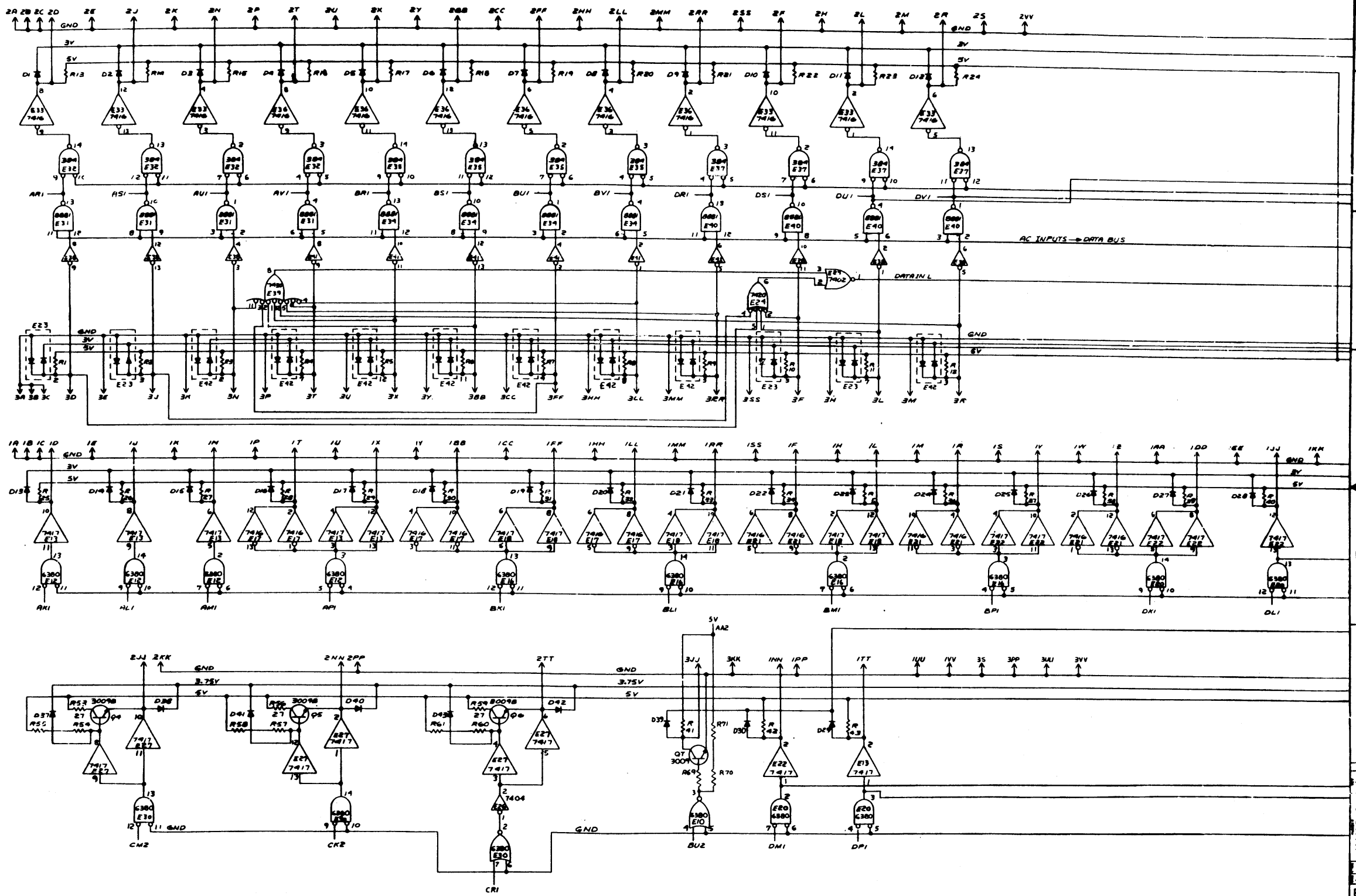
SEMICONDUCTOR CONVERSION CHART

DATE: 5-3-71

SHEET 1 OF 3

ECS MB350-0-1

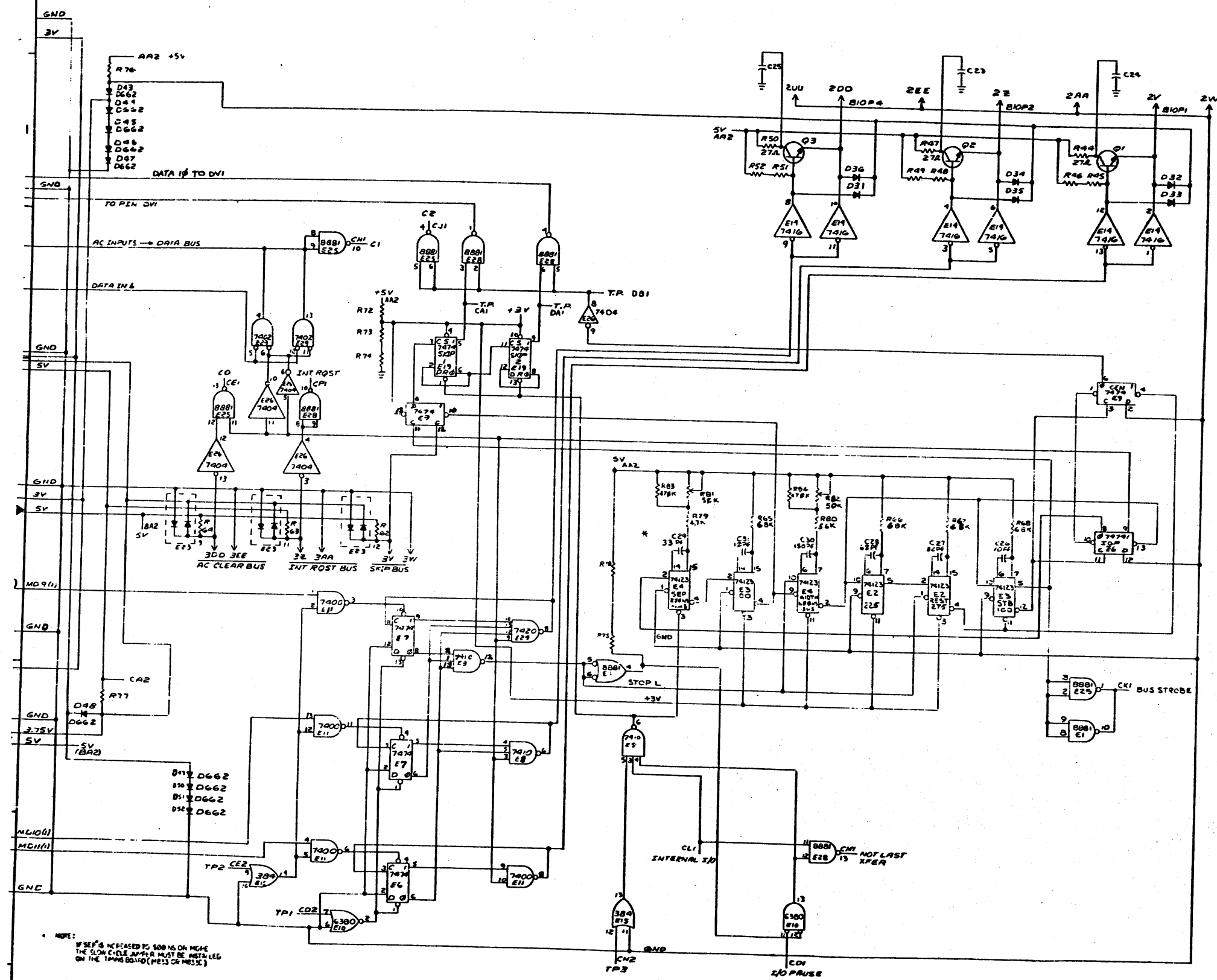
REV C



REV	DESCRIPTION	DATE	BY	CHKD
1	POF 0/E			
2	UNLESS OTHERWISE SPECIFIED			
3	RESISTORS IN OHMS			
4	TOLERANCES			
5	RESISTORS			
6	RESISTORS			
7	RESISTORS			
8	RESISTORS			
9	RESISTORS			
10	RESISTORS			
11	RESISTORS			
12	RESISTORS			
13	RESISTORS			
14	RESISTORS			
15	RESISTORS			
16	RESISTORS			
17	RESISTORS			
18	RESISTORS			
19	RESISTORS			
20	RESISTORS			
21	RESISTORS			
22	RESISTORS			
23	RESISTORS			
24	RESISTORS			
25	RESISTORS			
26	RESISTORS			
27	RESISTORS			
28	RESISTORS			
29	RESISTORS			
30	RESISTORS			
31	RESISTORS			
32	RESISTORS			
33	RESISTORS			
34	RESISTORS			
35	RESISTORS			
36	RESISTORS			
37	RESISTORS			
38	RESISTORS			
39	RESISTORS			
40	RESISTORS			
41	RESISTORS			
42	RESISTORS			
43	RESISTORS			
44	RESISTORS			
45	RESISTORS			
46	RESISTORS			
47	RESISTORS			
48	RESISTORS			
49	RESISTORS			
50	RESISTORS			
51	RESISTORS			
52	RESISTORS			
53	RESISTORS			
54	RESISTORS			
55	RESISTORS			
56	RESISTORS			
57	RESISTORS			
58	RESISTORS			
59	RESISTORS			
60	RESISTORS			
61	RESISTORS			
62	RESISTORS			
63	RESISTORS			
64	RESISTORS			
65	RESISTORS			
66	RESISTORS			
67	RESISTORS			
68	RESISTORS			
69	RESISTORS			
70	RESISTORS			
71	RESISTORS			
72	RESISTORS			
73	RESISTORS			
74	RESISTORS			
75	RESISTORS			
76	RESISTORS			
77	RESISTORS			
78	RESISTORS			
79	RESISTORS			
80	RESISTORS			
81	RESISTORS			
82	RESISTORS			
83	RESISTORS			
84	RESISTORS			
85	RESISTORS			
86	RESISTORS			
87	RESISTORS			
88	RESISTORS			
89	RESISTORS			
90	RESISTORS			
91	RESISTORS			
92	RESISTORS			
93	RESISTORS			
94	RESISTORS			
95	RESISTORS			
96	RESISTORS			
97	RESISTORS			
98	RESISTORS			
99	RESISTORS			
100	RESISTORS			

EQUIPMENT CORPORATION
 TITLE
 POSITIVE I/O BUS
 INTERFACE

DATE
 11/1/77
 DRAWN
 CKS
 CHECKED
 M8350 01 C



NOTE:
IF SET P IS INCREASED TO 500 NS OR MORE
THE SLOW CYCLE INPUT MUST BE INSTALLED
ON THE TRIPING BOARD (M033 OR M035)

REV	DESCRIPTION	PART NO	REV
1			

UNLESS OTHERWISE SPECIFIED		DATE: 7-29-71	EQUIPMENT CORPORATION
TOLERANCES		DATE: 7-29-71	
RESISTORS		DATE: 7-29-71	POSITIVE I/O BUS INTERFACE
CAPACITORS		DATE: 7-29-71	
DIMENSIONS		DATE: 7-29-71	M8350-0-1 D
MATERIALS		DATE: 7-29-71	
DRAWN BY: [Signature]		SCALE: 1:1	SHEET 3 OF 3
CHECKED BY: [Signature]		DATE: 7-29-71	