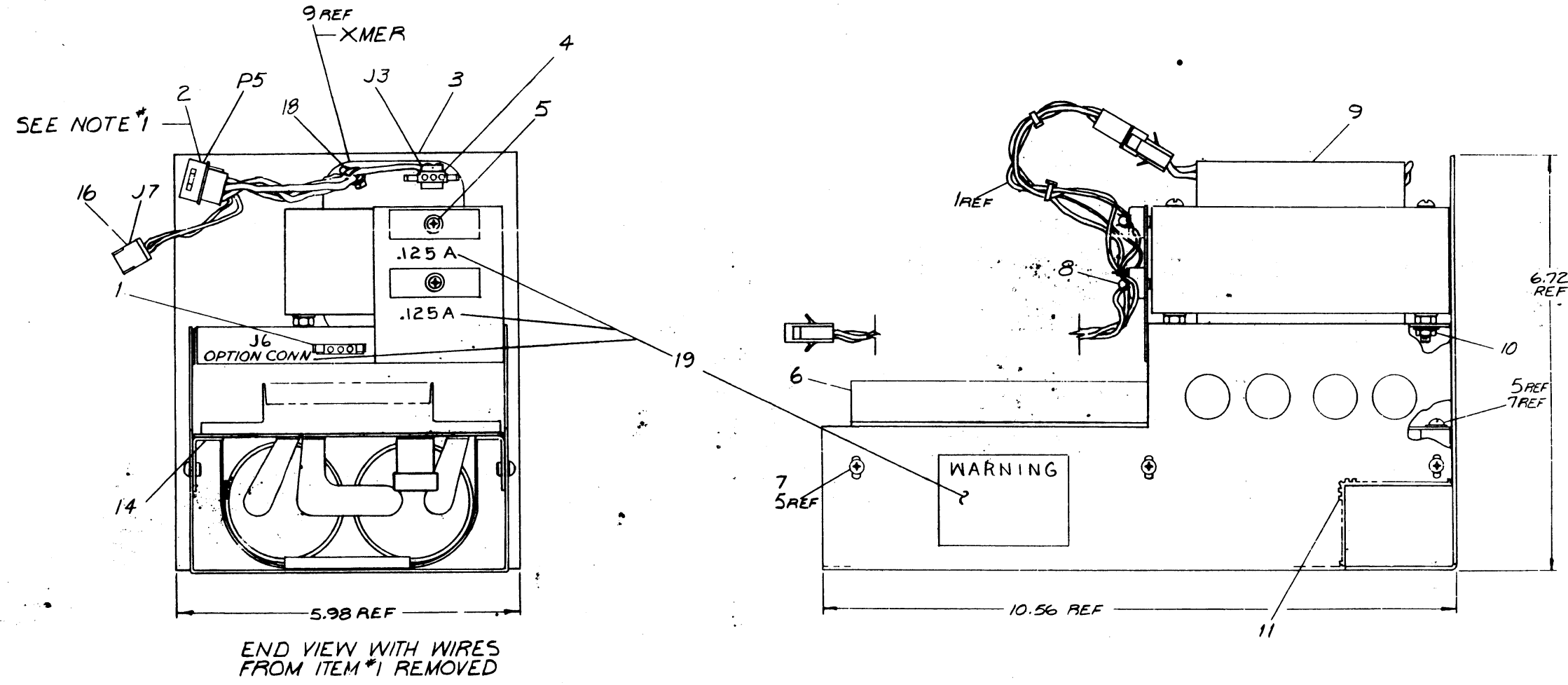


The drawing and specifications herein are the property of Digital Equipment Corporation and shall not be reproduced or copied or used in whole or in part as the basis for the manufacture or sale of items without written permission.

WIRE TABLE						
ITEM NO.	DESCRIPTION	FROM:	FROM:		TO:	
			CONNECTION	WITH	CONNECTION	WITH
9	BLU	XMER	-	J3-3	12	
	BLU		-	J3-2	12	
	BLU		-	J3-1	12	
	RED		-	P5-3	13	
	RED		-	P5-4	13	
	WHT		-	P5-1	13	
9	BLK	XMER	-	P5-2	13	
17 18	BLK	J7-1	12	P5-5	13	LENGTH OF WIRE TO BE 4 IN ± 1/2 IN
17 18	BLK	J7-2	12	P5-6	13	

NOTES:
 1. LENGTH OF WIRES TERMINATING TO P5 (ITEM 2), ARE TO BE 8 INCHES ± 1/2 INCH.



QTY.	DESCRIPTION	PART NO.	ITEM NO.
1	DECAL	A DC-709651-0-0	19
1	TIE WRAP PADUIT SST-18	9007031	18
A/R	WIRE 13 AWG TEF INS	9107360-00	17
1	CONN MATE-N-LOK (FEM)	1210821-02	16
1	STRAIN RELIEF	9008442	15
6	BRKT. SUPPORT ETCH BD	CIA-709925-0-0	14
6	CONTACT, MATE-N-LOK (MALE)	1209378-01	13
5	CONTACT, MATE-N-LOK (FEM)	1209379-01	12
A/R	SACCMET	9007621	11
4	NUT, KEP # 8-32	9006563	10
1	XMER (TRANSFORMER)	K-10601-02	9
2	FUSE 1/8AMP (3AG) S.B.	9008527	8
12	WASHER, INT TOOTH LOCK #6	9006633	7
1	REGULATOR BD ASSY	E-1A-5A097280-0	6
10	SCR, PHIL PAN HD # 6-32 X .25	9006020-1	5
1	CONN, MATE-N-LOK 3 CKT	1209350-03	4
1	CHASSIS, P.S.	D-1A-7093160-0	3
1	CONN, MATE-N-LOK 6 CKT	1209351-06	2
1	HARNASS, SECONDARY	D-1A-7008534-00	1

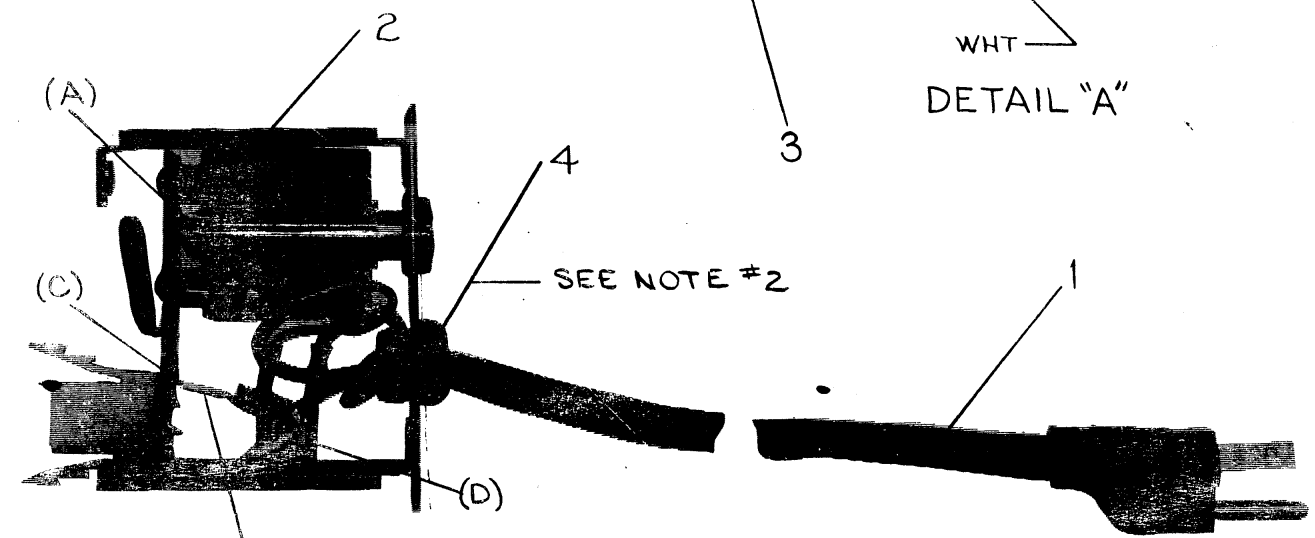
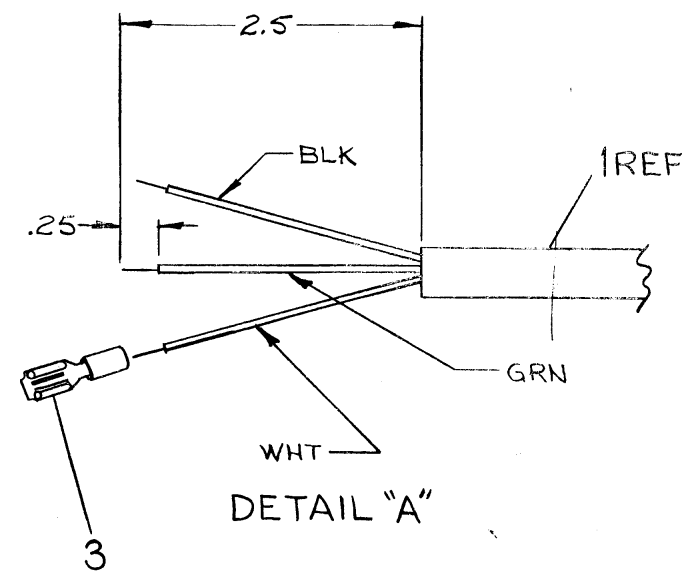
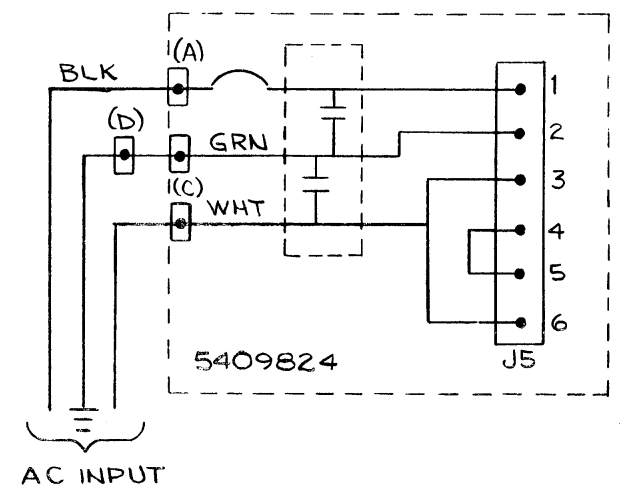
FIRST USED ON OPTION/MODEL		PARTS LIST	
PDP 8 M		TITLE	
UNLESS OTHERWISE SPECIFIED DIMENSION IN INCHES TOLERANCES		digital EQUIPMENT CORPORATION	
DECIMALS	ANGLES	POWER SUPPLY ASSY	
.XXX = .006	10° 30'	SIZE CODE NUMBER REV	
.XX = .02		DAD	7008714-0-0 A
X = .1		SHEET OF 1	
REMOVE BURRS AND BREAK SHARP CORNERS SURFACE QUALITY		DIST	
MATERIAL		NEXT HIGHER ASSY.	
FINISH		SCALE NONE	

REV.	CHANGE NO.	DATE	BY
1	7008714-00001 A	12/1/72	P. GARDNER
2	7008714-00002 B	12/1/72	P. GARDNER

erty of Digital Equipment Corporation and shall not be reproduced or copied or used in whole or in part as the basis for the manufacture or sale of items without written permission.

NOTES:

1. CONNECT ITEM #1 (POWER CORD) AND ITEM #2 (AC INPUT BOX) PER CIRCUIT SCHEMATIC.
2. FOR INSTALLATION USE HAYCO #29 STRAIN RELIEF PLIERS



SEE DETAIL 'A'
3 REF
SHOWN WITHOUT COVER

1	GROMMET HEYCO 6 P4	9007142	4
3	SOLDERLESS CONN. ARKLESS	9007917	3
1	AC INPUT BOX H400A	D-UA-H400-0-0	2
1	POWER CORD 120V	170015-6	1

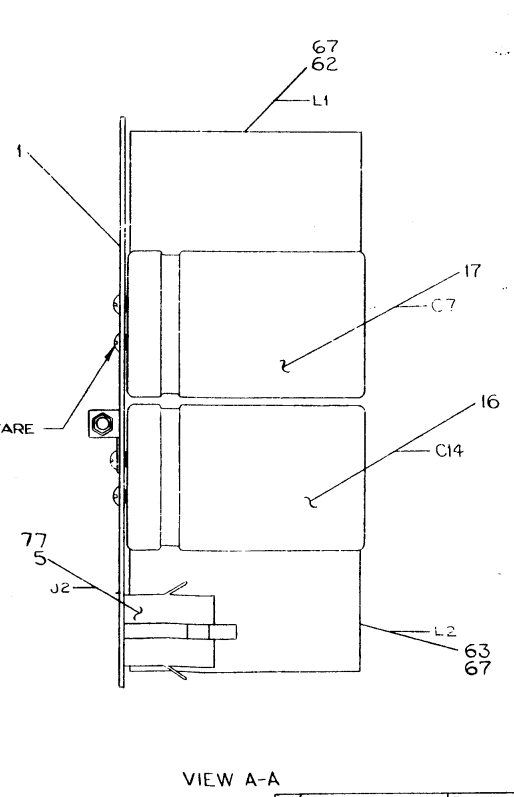
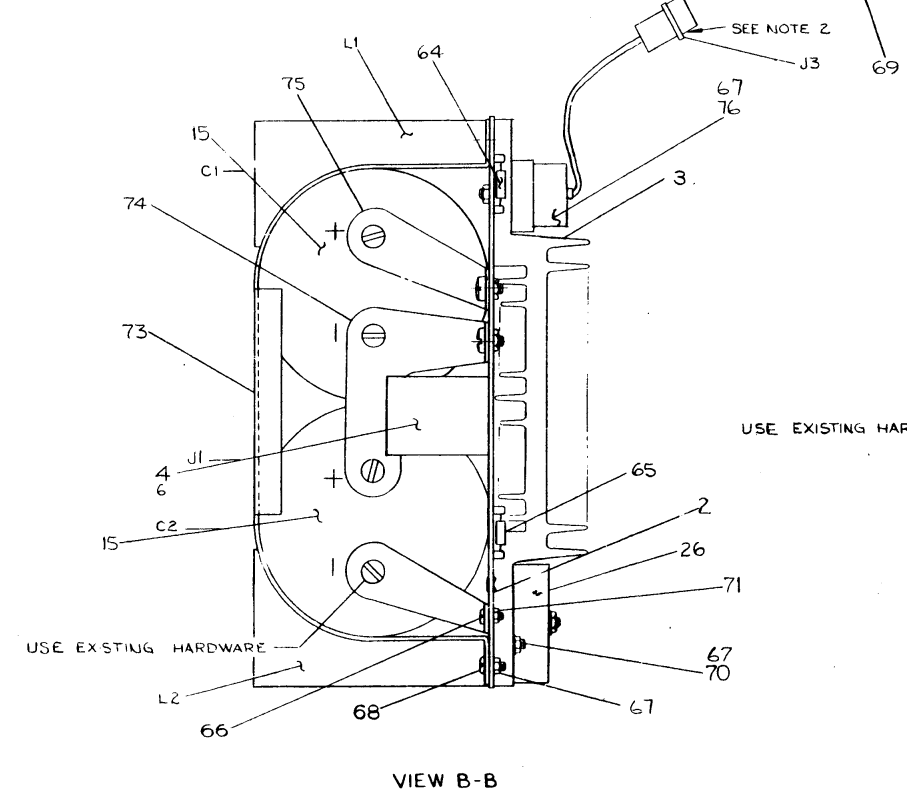
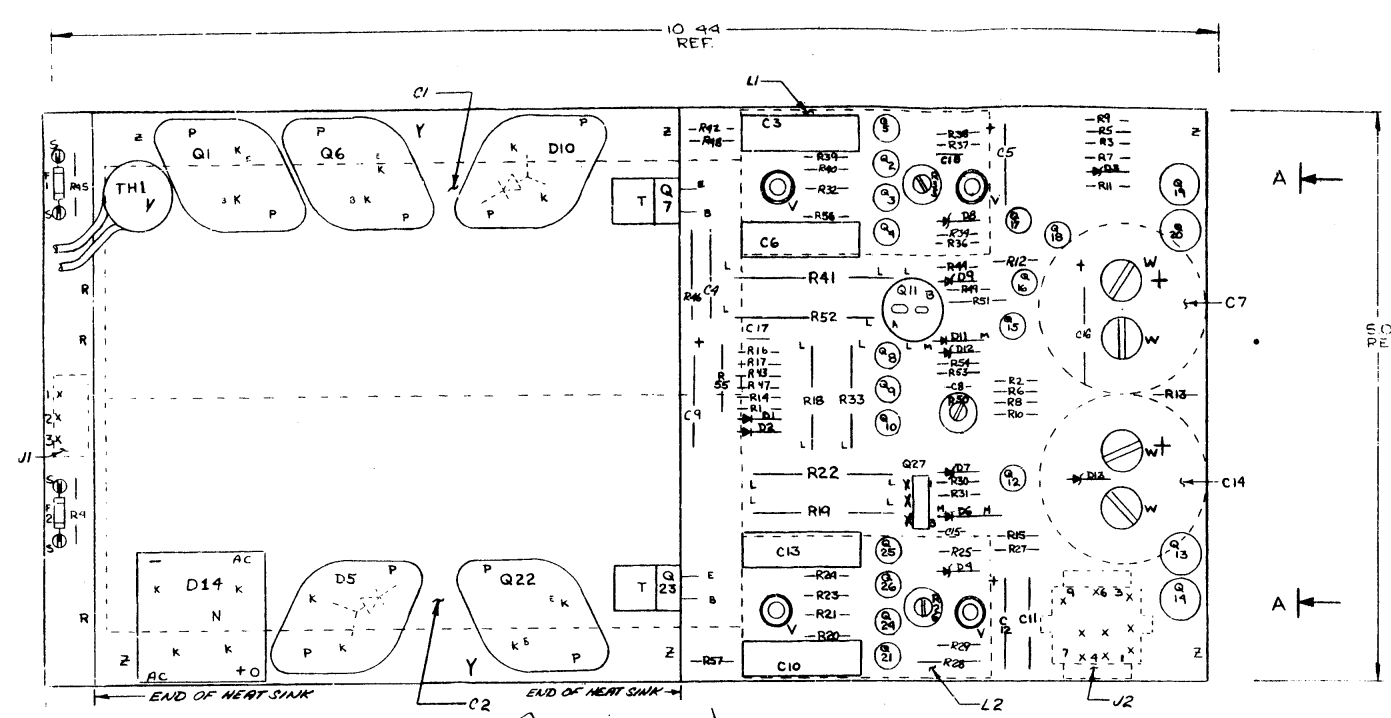
FIRST USED ON OPTION/MODEL 11/05		QTY.	DESCRIPTION	PART NO.	ITEM NO.
PARTS LIST					
UNLESS OTHERWISE SPECIFIED DIMENSION IN INCHES. TOLERANCES		DRN <i>T. Quillin</i>	DATE 12-27-71	 digital EQUIPMENT CORPORATION MAYNARD MASSACHUSETTS	
DECIMALS	ANGLES	CHK'D <i>H. Antone</i>	DATE 1-8-72		
.XXX = .005	±0° 30'	ENG. <i>David DeMunnelle</i>	DATE 1-4-72		
.XX = .02		PROJ. ENG. <i>R. H. Harty</i>	DATE 1-7-72		
REMOVE BURRS AND BREAK SHARP CORNERS SURFACE QUALITY ✓		PROD. <i>R.K. Petersen</i>	DATE 1/2/72	TITLE LINE SET 115V AC 7 AMP	
MATERIAL		NEXT HIGHER ASSY.			
FINISH		SCALE			
		SHEET 1 OF 1		SIZE CODE C UA	NUMBER BC05H-0-0
		DIST.			

REVISIONS	REV.
CHANGE NO.	
CHK	

REV.	
NUMBER	BC05H-0-0
SIZE CODE	C UA

Use of this drawing and specifications, herein, on the part of any contractor, manufacturer, or supplier, shall be at their own risk. The contractor, manufacturer, or supplier shall be responsible for the proper interpretation of this drawing and specifications.

J
H
F
E
D
C
B

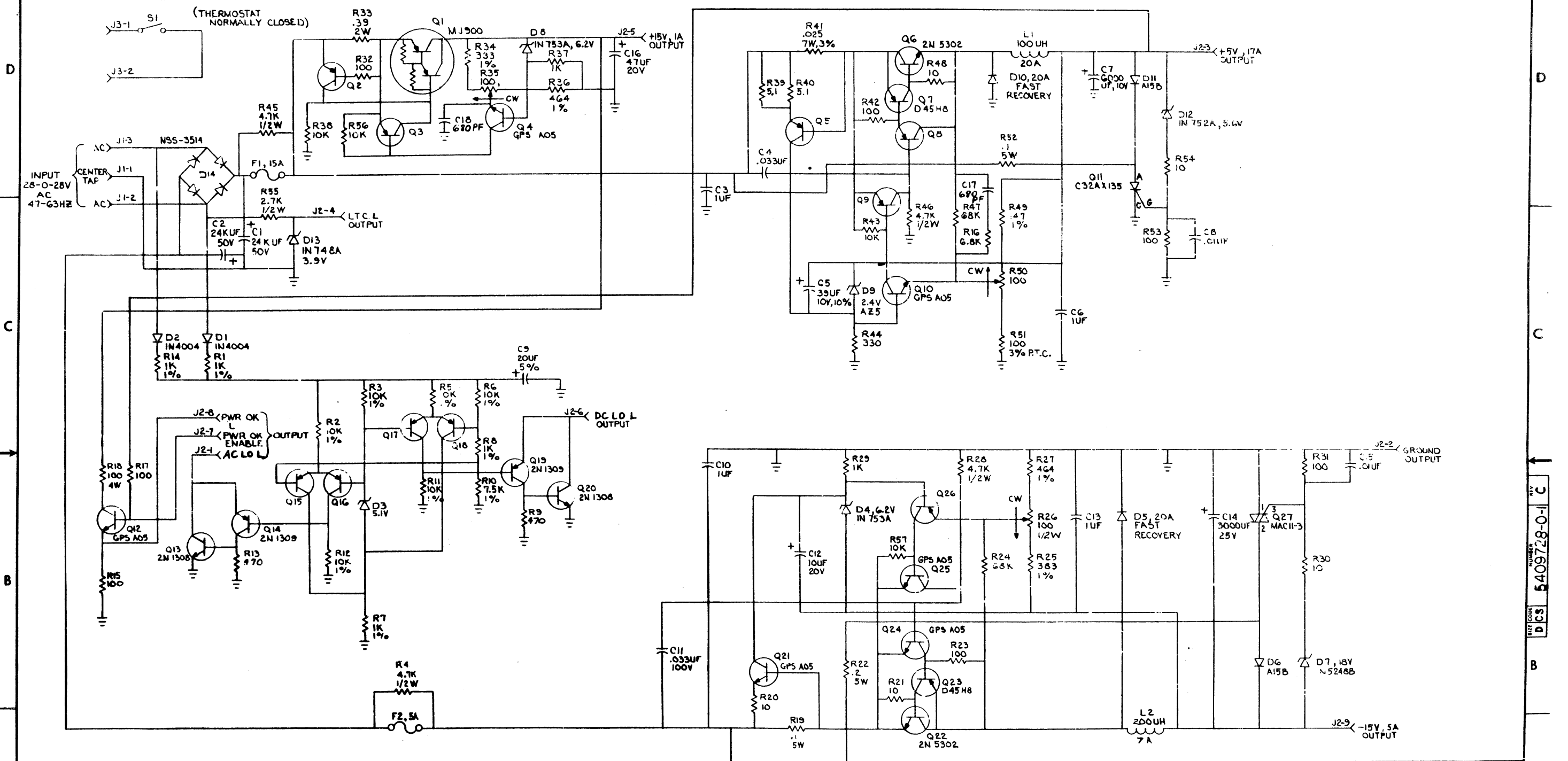


NOTE:
1. APPLY ITEM #8 (THERMAL COMPOUND) BETWEEN TRANSISTOR AND INSULATOR, WASHERS, ITEM #9, ALSO BETWEEN WASHER & HEAT SINK FOR Q1 Q6 Q7 Q22 Q23 DS400 INSULATOR WASHERS FOR Q7 & Q23 ARE TO BE 1/8" TO SIZE.
2. TRIM LEADS ON ITEM #7 (THERMOSTAT) TO .5" INCHES AND ATTACH ITEM #54 (PINS) AND ITEM #53 (HOUSING) AS SHOWN.

QTY	REF DESIGNATION	DESCRIPTION	PART NO.	ITEM NO.
1	R16	RES 6.8K 1/4W 5%	1301423	28
1	R17	RES 10K 1/4W 5%	1301423	29
2	R18, R19	RES 470 1/4W 5%	1300376	30
1	R20	RES 10K 1/4W 5%	1300376	31
1	R21	RES 10K 1/4W 5%	1300376	32
1	R22	RES 10K 1/4W 5%	1300376	33
1	R23	RES 10K 1/4W 5%	1300376	34
1	R24	RES 10K 1/4W 5%	1300376	35
1	R25	RES 10K 1/4W 5%	1300376	36
1	R26	RES 10K 1/4W 5%	1300376	37
1	R27	RES 10K 1/4W 5%	1300376	38
1	R28	RES 10K 1/4W 5%	1300376	39
1	R29	RES 10K 1/4W 5%	1300376	40
1	R30	RES 10K 1/4W 5%	1300376	41
1	R31	RES 10K 1/4W 5%	1300376	42
1	R32	RES 10K 1/4W 5%	1300376	43
1	R33	RES 10K 1/4W 5%	1300376	44
1	R34	RES 10K 1/4W 5%	1300376	45
1	R35	RES 10K 1/4W 5%	1300376	46
1	R36	RES 10K 1/4W 5%	1300376	47
1	R37	RES 10K 1/4W 5%	1300376	48
1	R38	RES 10K 1/4W 5%	1300376	49
1	R39	RES 10K 1/4W 5%	1300376	50
1	R40	RES 10K 1/4W 5%	1300376	51
1	R41	RES 10K 1/4W 5%	1300376	52
1	R42	RES 10K 1/4W 5%	1300376	53
1	R43	RES 10K 1/4W 5%	1300376	54
1	R44	RES 10K 1/4W 5%	1300376	55
1	R45	RES 10K 1/4W 5%	1300376	56
1	R46	RES 10K 1/4W 5%	1300376	57
1	R47	RES 10K 1/4W 5%	1300376	58
1	R48	RES 10K 1/4W 5%	1300376	59
1	R49	RES 10K 1/4W 5%	1300376	60
1	R50	RES 10K 1/4W 5%	1300376	61
1	R51	RES 10K 1/4W 5%	1300376	62
1	R52	RES 10K 1/4W 5%	1300376	63
1	R53	RES 10K 1/4W 5%	1300376	64
1	R54	RES 10K 1/4W 5%	1300376	65
1	R55	RES 10K 1/4W 5%	1300376	66
1	R56	RES 10K 1/4W 5%	1300376	67
1	R57	RES 10K 1/4W 5%	1300376	68
1	R58	RES 10K 1/4W 5%	1300376	69
1	R59	RES 10K 1/4W 5%	1300376	70
1	R60	RES 10K 1/4W 5%	1300376	71
1	R61	RES 10K 1/4W 5%	1300376	72
1	R62	RES 10K 1/4W 5%	1300376	73
1	R63	RES 10K 1/4W 5%	1300376	74
1	R64	RES 10K 1/4W 5%	1300376	75
1	R65	RES 10K 1/4W 5%	1300376	76
1	R66	RES 10K 1/4W 5%	1300376	77
1	R67	RES 10K 1/4W 5%	1300376	78
1	R68	RES 10K 1/4W 5%	1300376	79
1	R69	RES 10K 1/4W 5%	1300376	80
1	R70	RES 10K 1/4W 5%	1300376	81
1	R71	RES 10K 1/4W 5%	1300376	82
1	R72	RES 10K 1/4W 5%	1300376	83
1	R73	RES 10K 1/4W 5%	1300376	84
1	R74	RES 10K 1/4W 5%	1300376	85
1	R75	RES 10K 1/4W 5%	1300376	86
1	R76	RES 10K 1/4W 5%	1300376	87
1	R77	RES 10K 1/4W 5%	1300376	88
1	R78	RES 10K 1/4W 5%	1300376	89
1	R79	RES 10K 1/4W 5%	1300376	90
1	R80	RES 10K 1/4W 5%	1300376	91
1	R81	RES 10K 1/4W 5%	1300376	92
1	R82	RES 10K 1/4W 5%	1300376	93
1	R83	RES 10K 1/4W 5%	1300376	94
1	R84	RES 10K 1/4W 5%	1300376	95
1	R85	RES 10K 1/4W 5%	1300376	96
1	R86	RES 10K 1/4W 5%	1300376	97
1	R87	RES 10K 1/4W 5%	1300376	98
1	R88	RES 10K 1/4W 5%	1300376	99
1	R89	RES 10K 1/4W 5%	1300376	100
1	R90	RES 10K 1/4W 5%	1300376	101
1	R91	RES 10K 1/4W 5%	1300376	102
1	R92	RES 10K 1/4W 5%	1300376	103
1	R93	RES 10K 1/4W 5%	1300376	104
1	R94	RES 10K 1/4W 5%	1300376	105
1	R95	RES 10K 1/4W 5%	1300376	106
1	R96	RES 10K 1/4W 5%	1300376	107
1	R97	RES 10K 1/4W 5%	1300376	108
1	R98	RES 10K 1/4W 5%	1300376	109
1	R99	RES 10K 1/4W 5%	1300376	110
1	R100	RES 10K 1/4W 5%	1300376	111
1	R101	RES 10K 1/4W 5%	1300376	112
1	R102	RES 10K 1/4W 5%	1300376	113
1	R103	RES 10K 1/4W 5%	1300376	114
1	R104	RES 10K 1/4W 5%	1300376	115
1	R105	RES 10K 1/4W 5%	1300376	116
1	R106	RES 10K 1/4W 5%	1300376	117
1	R107	RES 10K 1/4W 5%	1300376	118
1	R108	RES 10K 1/4W 5%	1300376	119
1	R109	RES 10K 1/4W 5%	1300376	120
1	R110	RES 10K 1/4W 5%	1300376	121
1	R111	RES 10K 1/4W 5%	1300376	122
1	R112	RES 10K 1/4W 5%	1300376	123
1	R113	RES 10K 1/4W 5%	1300376	124
1	R114	RES 10K 1/4W 5%	1300376	125
1	R115	RES 10K 1/4W 5%	1300376	126
1	R116	RES 10K 1/4W 5%	1300376	127
1	R117	RES 10K 1/4W 5%	1300376	128
1	R118	RES 10K 1/4W 5%	1300376	129
1	R119	RES 10K 1/4W 5%	1300376	130
1	R120	RES 10K 1/4W 5%	1300376	131
1	R121	RES 10K 1/4W 5%	1300376	132
1	R122	RES 10K 1/4W 5%	1300376	133
1	R123	RES 10K 1/4W 5%	1300376	134
1	R124	RES 10K 1/4W 5%	1300376	135
1	R125	RES 10K 1/4W 5%	1300376	136
1	R126	RES 10K 1/4W 5%	1300376	137
1	R127	RES 10K 1/4W 5%	1300376	138
1	R128	RES 10K 1/4W 5%	1300376	139
1	R129	RES 10K 1/4W 5%	1300376	140
1	R130	RES 10K 1/4W 5%	1300376	141
1	R131	RES 10K 1/4W 5%	1300376	142
1	R132	RES 10K 1/4W 5%	1300376	143
1	R133	RES 10K 1/4W 5%	1300376	144
1	R134	RES 10K 1/4W 5%	1300376	145
1	R135	RES 10K 1/4W 5%	1300376	146
1	R136	RES 10K 1/4W 5%	1300376	147
1	R137	RES 10K 1/4W 5%	1300376	148
1	R138	RES 10K 1/4W 5%	1300376	149
1	R139	RES 10K 1/4W 5%	1300376	150
1	R140	RES 10K 1/4W 5%	1300376	151
1	R141	RES 10K 1/4W 5%	1300376	152
1	R142	RES 10K 1/4W 5%	1300376	153
1	R143	RES 10K 1/4W 5%	1300376	154
1	R144	RES 10K 1/4W 5%	1300376	155
1	R145	RES 10K 1/4W 5%	1300376	156
1	R146	RES 10K 1/4W 5%	1300376	157
1	R147	RES 10K 1/4W 5%	1300376	158
1	R148	RES 10K 1/4W 5%	1300376	159
1	R149	RES 10K 1/4W 5%	1300376	160
1	R150	RES 10K 1/4W 5%	1300376	161
1	R151	RES 10K 1/4W 5%	1300376	162
1	R152	RES 10K 1/4W 5%	1300376	163
1	R153	RES 10K 1/4W 5%	1300376	164
1	R154	RES 10K 1/4W 5%	1300376	165
1	R155	RES 10K 1/4W 5%	1300376	166
1	R156	RES 10K 1/4W 5%	1300376	167
1	R157	RES 10K 1/4W 5%	1300376	168
1	R158	RES 10K 1/4W 5%	1300376	169
1	R159	RES 10K 1/4W 5%	1300376	170
1	R160	RES 10K 1/4W 5%	1300376	171
1	R161	RES 10K 1/4W 5%	1300376	172
1	R162	RES 10K 1/4W 5%	1300376	173
1	R163	RES 10K 1/4W 5%	1300376	174
1	R164	RES 10K 1/4W 5%	1300376	175
1	R165	RES 10K 1/4W 5%	1300376	176
1	R166	RES 10K 1/4W 5%	1300376	177
1	R167	RES 10K 1/4W 5%	1300376	178
1	R168	RES 10K 1/4W 5%	1300376	179
1	R169	RES 10K 1/4W 5%	1300376	180
1	R170	RES 10K 1/4W 5%	1300376	181
1	R171	RES 10K 1/4W 5%	1300376	182
1	R172	RES 10K 1/4W 5%	1300376	183
1	R173	RES 10K 1/4W 5%	1300376	184
1	R174	RES 10K 1/4W 5%	1300376	185
1	R175	RES 10K 1/4W 5%	1300376	186
1	R176	RES 10K 1/4W 5%	1300376	187
1	R177	RES 10K 1/4W 5%	1300376	188
1	R178	RES 10K 1/4W 5%	1300376	189
1	R179	RES 10K 1/4W 5%	1300376	190
1	R180	RES 10K 1/4W 5%	1300376	191
1	R181	RES 10K 1/4W 5%	1300376	192
1	R182	RES 10K 1/4W 5%	1300376	193
1	R183	RES 10K 1/4W 5%	1300376	194
1	R184	RES 10K 1/4W 5%	1300376	195
1	R185	RES 10K 1/4W 5%	1300376	196
1	R186	RES 10K 1/4W 5%	1300376	197
1	R187	RES 10K 1/4W 5%	1300376	198
1	R188	RES 10K 1/4W 5%	1300376	199
1	R189	RES 10K 1/4W 5%	1300376	200
1	R190	RES 10K 1/4W 5%	1300376	201
1	R191	RES 10K 1/4W 5%	1300376	202
1	R192	RES 10K 1/4W 5%	1300376	203
1	R193	RES 10K 1/4W 5%	1300376	204
1	R194	RES 10K 1/4W 5%	1300376	205
1	R195	RES 10K 1/4W 5%	1300376	206
1	R196	RES 10K 1/4W 5%	1300376	207
1	R197	RES 10K 1/4W 5%	1300376	208
1	R198	RES 10K 1/4W 5%	1300376	209
1	R199	RES 10K 1/4W 5%	1300376	210
1	R200	RES 10K 1/4W 5%	1300376	211
1	R201	RES 10K 1/4W 5%	1300376	212
1	R202	RES 10K 1/4W 5%	1300376	213
1	R203	RES 10K 1/4W 5%	1300376	214
1	R204	RES 10K 1/4W 5%	1300376	215
1	R205	RES 10K 1/4W 5%	1300376	216
1	R206	RES 10K 1/4W 5%	1300376	217
1	R207	RES 10K 1/4W 5%	1300376	218
1	R208	RES 10K 1/4W 5%	1300376	219
1	R209	RES 10K 1/4W 5%	1300376	220
1	R210	RES 10K 1/4W 5%	1300376	221
1	R211	RES 10K 1/4W 5%	1300376	222
1	R212	RES 10K 1/4W 5%	1300376	223
1	R213	RES 10K 1/4W 5%	1300376	224
1	R214	RES 10K 1/4W 5%	1300376	225
1	R215	RES 10K 1/4W 5%	1300376	226
1	R216	RES 10K 1/4W 5%	1300376	227
1	R217	RES 10K 1/4W 5%	1300376	228
1	R218	RES 10K 1/4W 5%	1300376	229
1	R219	RES 10K 1/4W 5%	1300376	230
1	R220	RES 10K 1/4W 5%	1300376	231
1	R221	RES 10K 1/4W 5%	1300376	232
1	R222	RES 10K 1/4W 5%	1300376	233
1	R223	RES 10K 1/4W 5%	1300376	234
1	R224	RES 10K 1/4W 5%	1300376	235
1	R225	RES 10K 1/4W 5%	1300376	236
1	R226	RES 10K 1/4W 5%	1300376	237
1	R227	RES 10K 1/		

This drawing and specifications, herein, are the property of Digital Equipment Corporation and shall not be reproduced or copied or used in whole or in part as the basis for the manufacture or sale of items without written permission.

5409728-0-1



UNLESS OTHERWISE INDICATED:
 1% RESISTORS ARE 1/8 W
 TRANSISTORS - GFS A55

QTY	REF DESIGNATION	DESCRIPTION	PART NO.	ITEM NO.													
PARTS LIST																	
ETCH BOARD REV B C																	
<table border="1"> <tr> <td>DRN. <i>R. WOLFF</i></td> <td>DATE 12-20-71</td> <td rowspan="6"> DIGITAL EQUIPMENT CORPORATION MAYNARD, MASSACHUSETTS </td> </tr> <tr> <td>CHKD. <i>AMARV MOORE</i></td> <td>DATE 12-21-71</td> </tr> <tr> <td>ENG. <i>R. WOLFF</i></td> <td>DATE 12-28-71</td> </tr> <tr> <td>PROL. ENG. <i>R. WOLFF</i></td> <td>DATE 12-29-71</td> </tr> <tr> <td>PROD. <i>R. WOLFF</i></td> <td>DATE 12-29-71</td> </tr> <tr> <td colspan="2">NEXT HIGHER ASSY</td> </tr> </table>					DRN. <i>R. WOLFF</i>	DATE 12-20-71	DIGITAL EQUIPMENT CORPORATION MAYNARD, MASSACHUSETTS	CHKD. <i>AMARV MOORE</i>	DATE 12-21-71	ENG. <i>R. WOLFF</i>	DATE 12-28-71	PROL. ENG. <i>R. WOLFF</i>	DATE 12-29-71	PROD. <i>R. WOLFF</i>	DATE 12-29-71	NEXT HIGHER ASSY	
DRN. <i>R. WOLFF</i>	DATE 12-20-71	DIGITAL EQUIPMENT CORPORATION MAYNARD, MASSACHUSETTS															
CHKD. <i>AMARV MOORE</i>	DATE 12-21-71																
ENG. <i>R. WOLFF</i>	DATE 12-28-71																
PROL. ENG. <i>R. WOLFF</i>	DATE 12-29-71																
PROD. <i>R. WOLFF</i>	DATE 12-29-71																
NEXT HIGHER ASSY																	
TITLE		REGULATOR BOARD FOR H740															
SIZE CODE	NUMBER	REV.															
DCS	5409728-0-1	C															

REV	CHG	CHANGE NO.	REVISIONS
1	1	1-19-72	R. WOLFF
2	1	1-21-72	R. WOLFF
3	1	1-21-72	R. WOLFF
4	1	1-21-72	R. WOLFF

SEMICONDUCTOR CONVERSION CHART

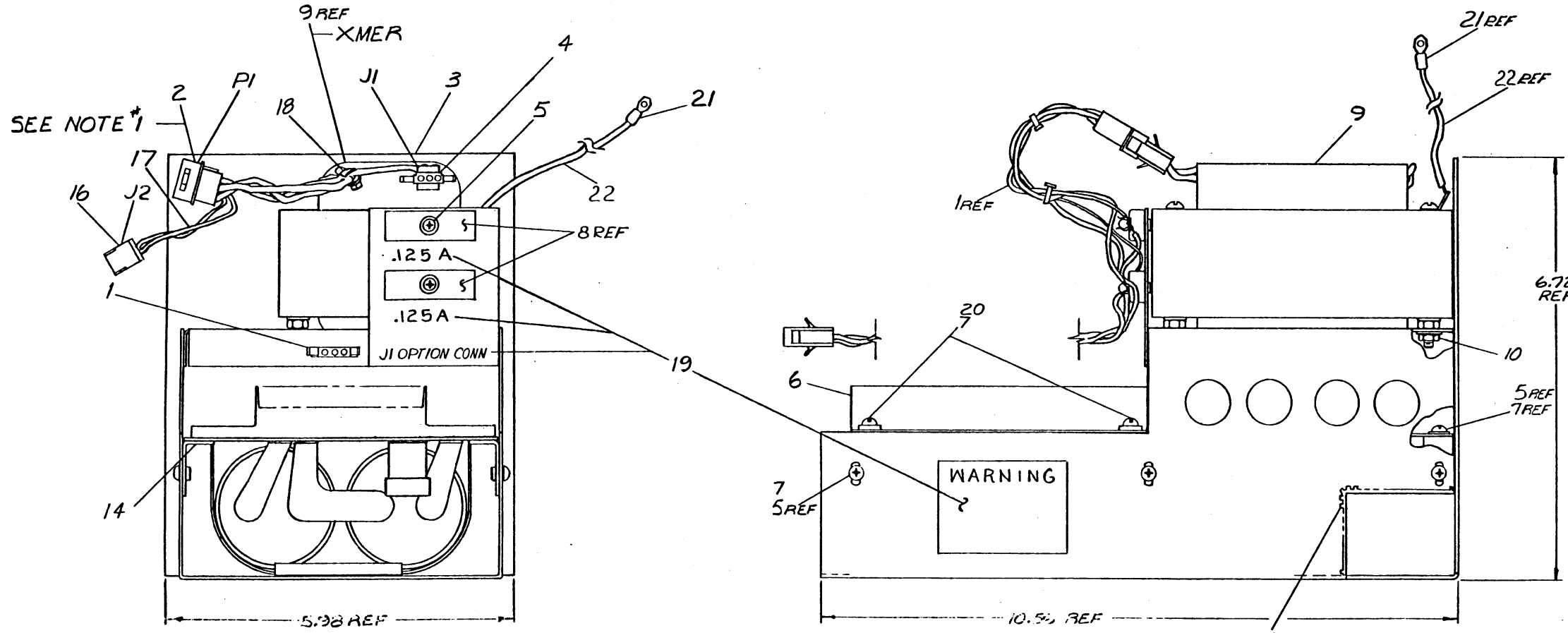
SHEET 1 OF 1

This drawing and specifications, herein, are the property of Digital Equipment Corporation and shall not be reproduced or copied or used in whole or in part as the basis for the manufacture or sale of items without written permission.

WIRE TABLE					
ITEM NO.	DESCR.	PLG.	FROM:	TO:	
NO.	AVG	COLOR	CONNECTION	WITH	CONNECTION WITH
9		BLU	XMER	-	J1-3 12
		BLU		-	J1-2 12
		BLU		-	J1-1 12
		RED		-	PI-3 13
		YEL		-	PI-4 13
		WHT		-	PI-1 13
9		BLK	XMER	-	PI-2 13
17	18	BLK	J2-1	12	PI-5 13
17	18	BLK	J2-2	12	PI-6 13
22	18	GRN	XMER	SOLDEE	- 21

LENGTH OF WIRE TO BE 4 IN ± 1/2 IN

NOTES:
 1. LENGTH OF WIRES TERMINATING TO PS (ITEM 2), ARE TO BE 8 INCHES ± 1/2 INCH.
 2. COMPONENTS J1, J2, & PI, TO BE LABELED WITH COMPONENT IDENTIFIERS, USING BRADY MARKERS.



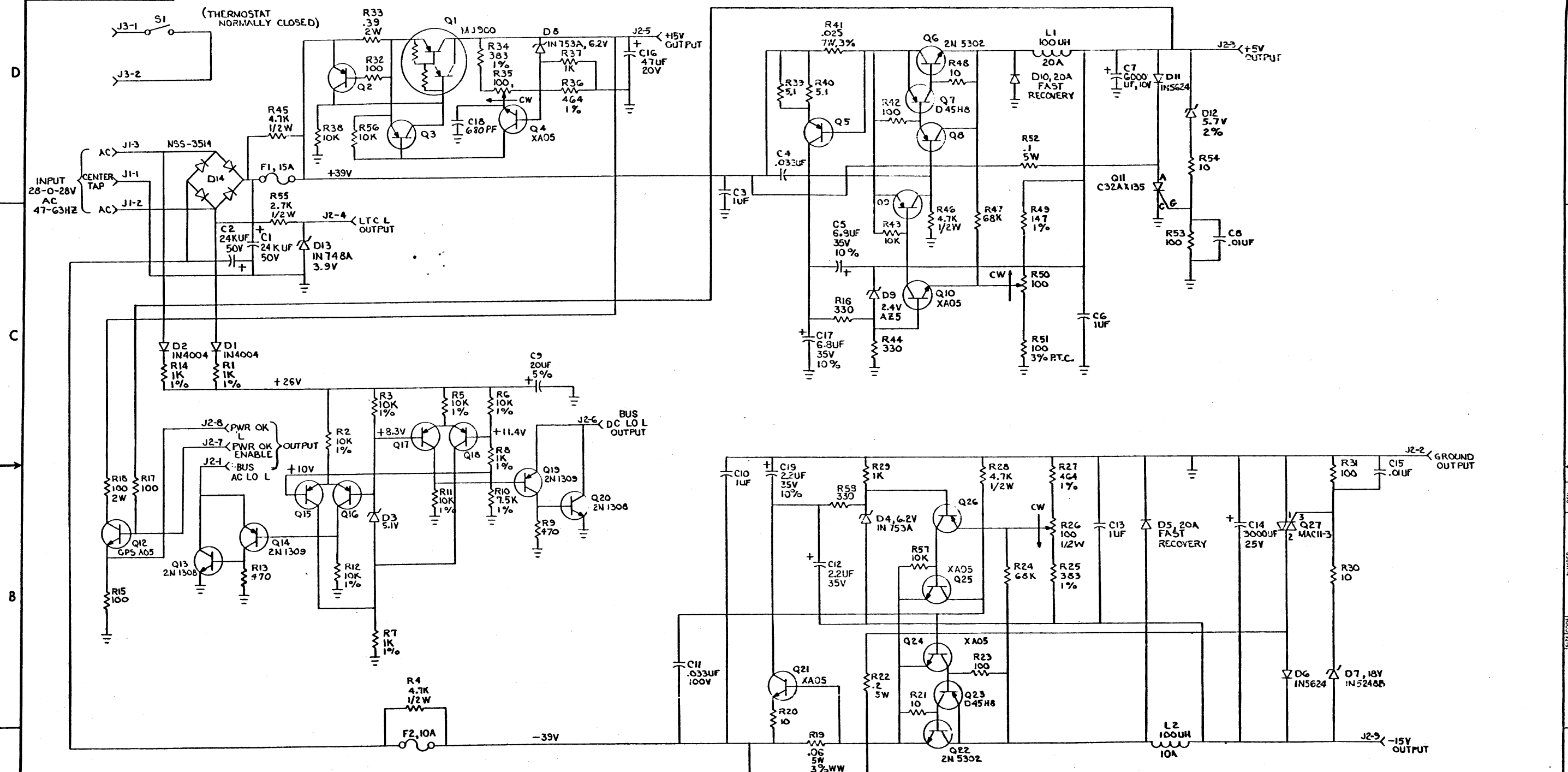
END VIEW WITH WIRES FROM ITEM #1 REMOVED

QTY	DESCRIPTION	PART NO.	ITEM NO.
1	WIRE 18 AWG GREEN	9107360-55	22
1	TERMINAL SOLDERLESS	9007927	21
4	SCR, PHIL PAN HD #6-32X.50	9006024-1	20
1	DECAL	A-DC-7409651-0-0	19
1	TIE WRAP PADUIT SST-18	9007031	18
A/R	WIRE 18 AWG BLK	9107360-00	17
1	CONN, MATE-N-LOK (FEM)	1210821-02	16
1	STRAIN, RELIEF	9008442	15
6	BRKT, SUPPORT ETCH BD	C-1A-7409375-0-0	14
6	CONTACT, MATE-N-LOK (MALE)	1209378-01	13
5	CONTACT, MATE-N-LOK (FEM)	1209379-01	12
A/R	GROMMET	9007621	11
4	NUT, KEP #8-32	9006563	10
1	XMER (TRANSFORMER)	1610601-02	9
2	FUSE 1/8AMP (3AG) S.B.	9008527	8
12	WASHER, INT TOOTH LOCK #6	9006633	7
1	REGULATOR BD ASSY	E-1A-54091280-0	6
10	SCR, PHIL PAN HD #6-32 X.25	9006020-1	5
1	CONN, MATE-N-LOK 3 CKT	1209350-03	4
1	CHASSIS, P.S.	D-1A-7409376-00	3
1	CONN, MATE-N-LOK 6 CKT	1209351-06	2
1	HARNESS, SECONDARY	D-1A-7008534-00	1

REV.	CHG. NO.	DATE	BY	CHKD.
A	7008714-00001	2-18-72	P. GARDNER	
B		2-18-72	P. GARDNER	
C		2-18-72	P. GARDNER	
D		2-18-72	P. GARDNER	

FIRST USED ON OPTION/MODEL PDP 8-1		QTY.		DESCRIPTION		PART NO.		ITEM NO.	
UNLESS OTHERWISE SPECIFIED DIMENSION IN INCHES TOLERANCES									
DECIMALS	ANGLES	DRM	DATE	PARTS LIST					
.XXX - .005	± 0° 30'	CHKD.	DATE	DIGITAL EQUIPMENT CORPORATION					
.XX - .02		ENG.	DATE	MAYFORD MASSACHUSETTS					
.X - .1		PROJ. ENG.	DATE	TITLE					
REMOVE BURRS AND BREAK SHARP CORNERS SURFACE QUALITY				PDP 8-1					
MATERIAL				POWER SUPPLY ASSY					
FINISH				NEXT HIGHER ASSY.		SIZE CODE		NUMBER	
				D-1A-PDP8M-2-C		DAD		7008714-0-0	
				SCALE NONE		DIST.		REV. C	
				SHEET 1 OF 1					

This drawing and specifications, herein, are the property of Digital Equipment Corporation and shall not be reproduced or copied or used in whole or in part as the basis for the manufacture or sale of items without written permission.

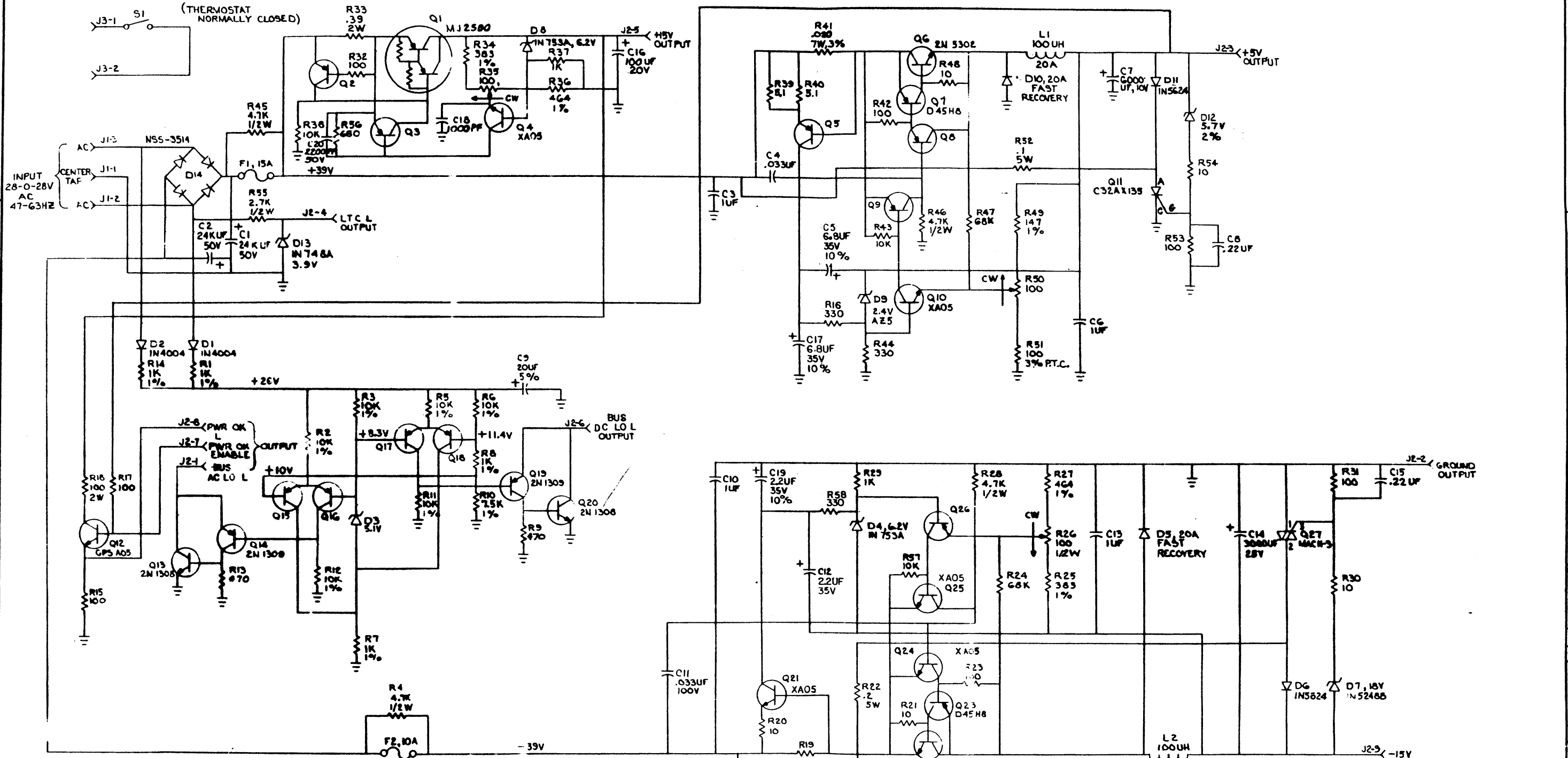


UNLESS OTHERWISE INDICATED:
 1% RESISTORS ARE 1/8W
 TRANSISTORS - XA55
 VOLTAGES ARE TAKEN AT NO LOAD WITH 115 VAC LINE
 VOLTAGES ARE ±10% TAKEN BY A ≥ 10K_V METER

QTY	REF DESIGNATION	DESCRIPTION	PART NO.	ITEM NO.												
PARTS LIST																
	ETCH BOARD REV	B	C	D												
<table border="1"> <tr> <td>DRN. Roger J. Lawrence</td> <td>DATE 12-20-71</td> <td rowspan="5"> DIGITAL EQUIPMENT CORPORATION MAYNARD, MASSACHUSETTS </td> <td rowspan="5"> TITLE REGULATOR BOARD FOR H740 </td> </tr> <tr> <td>CHK'D. J. H. Moore</td> <td>DATE 12-21-71</td> </tr> <tr> <td>ENG. R. H. Moore</td> <td>DATE 12-28-71</td> </tr> <tr> <td>PROJ. ENG. R. H. Moore</td> <td>DATE 12-28-71</td> </tr> <tr> <td>PROD. R. H. Moore</td> <td>DATE 12/29/71</td> </tr> </table>					DRN. Roger J. Lawrence	DATE 12-20-71	DIGITAL EQUIPMENT CORPORATION MAYNARD, MASSACHUSETTS	TITLE REGULATOR BOARD FOR H740	CHK'D. J. H. Moore	DATE 12-21-71	ENG. R. H. Moore	DATE 12-28-71	PROJ. ENG. R. H. Moore	DATE 12-28-71	PROD. R. H. Moore	DATE 12/29/71
DRN. Roger J. Lawrence	DATE 12-20-71	DIGITAL EQUIPMENT CORPORATION MAYNARD, MASSACHUSETTS	TITLE REGULATOR BOARD FOR H740													
CHK'D. J. H. Moore	DATE 12-21-71															
ENG. R. H. Moore	DATE 12-28-71															
PROJ. ENG. R. H. Moore	DATE 12-28-71															
PROD. R. H. Moore	DATE 12/29/71															
NEXT HIGHER ASSY			SIZE CODE DCS	NUMBER 5409728-0-1												
SEMICONDUCTOR CONVERSION CHART		SCALE SHEET 1 OF 1	REV. F													

REV	DATE	BY	CHK'D.	DESCRIPTION
1	7-29-72	R. WOLFF	J. H. Moore	REVISED
2	8-28-72	J. W. LAWRENCE	J. H. Moore	REVISED
3	6-27-72	J. W. LAWRENCE	J. H. Moore	REVISED
4	1-19-72	R. BURTON	J. H. Moore	REVISED
5	5-1-72	R. WOLFF	J. H. Moore	REVISED
6	1-19-72	R. WOLFF	J. H. Moore	REVISED
7	1-19-72	R. WOLFF	J. H. Moore	REVISED
8	1-19-72	R. WOLFF	J. H. Moore	REVISED

The drawing and specifications herein, are the property of Digital Equipment Corporation and shall not be reproduced or copied or used in whole or in part in the manufacture or sale of items without written permission.



UNLESS OTHERWISE INDICATED:
 1% RESISTORS ARE 1/8W
 VOLTAGES ARE TAKEN AT NO LOAD WITH 115 VAC LINE
 VOLTAGES ARE ±10% TAKEN BY A ±10KΩ METER
 TRANSISTORS - XA55

1	R. WOLF	3-1-74
2	R. WOLF	3-1-74
3	R. WOLF	3-1-74
4	R. WOLF	3-1-74
5	R. WOLF	3-1-74
6	R. WOLF	3-1-74
7	R. WOLF	3-1-74
8	R. WOLF	3-1-74
9	R. WOLF	3-1-74
10	R. WOLF	3-1-74
11	R. WOLF	3-1-74
12	R. WOLF	3-1-74
13	R. WOLF	3-1-74
14	R. WOLF	3-1-74
15	R. WOLF	3-1-74
16	R. WOLF	3-1-74
17	R. WOLF	3-1-74
18	R. WOLF	3-1-74
19	R. WOLF	3-1-74
20	R. WOLF	3-1-74
21	R. WOLF	3-1-74
22	R. WOLF	3-1-74
23	R. WOLF	3-1-74
24	R. WOLF	3-1-74
25	R. WOLF	3-1-74
26	R. WOLF	3-1-74
27	R. WOLF	3-1-74
28	R. WOLF	3-1-74
29	R. WOLF	3-1-74
30	R. WOLF	3-1-74
31	R. WOLF	3-1-74
32	R. WOLF	3-1-74
33	R. WOLF	3-1-74
34	R. WOLF	3-1-74
35	R. WOLF	3-1-74
36	R. WOLF	3-1-74
37	R. WOLF	3-1-74
38	R. WOLF	3-1-74
39	R. WOLF	3-1-74
40	R. WOLF	3-1-74
41	R. WOLF	3-1-74
42	R. WOLF	3-1-74
43	R. WOLF	3-1-74
44	R. WOLF	3-1-74
45	R. WOLF	3-1-74
46	R. WOLF	3-1-74
47	R. WOLF	3-1-74
48	R. WOLF	3-1-74
49	R. WOLF	3-1-74
50	R. WOLF	3-1-74

QTY	REF DESIGNATION	DESCRIPTION	PART NO.	ITEM NO.
PARTS LIST				
ETCH BOARD REV E				
DRN. <i>R. WOLF</i>		DATE 12-20-74	digital EQUIPMENT CORPORATION MAYNARD, MASSACHUSETTS TITLE REGULATOR BOARD FOR H74C SIZE CODE DCS NUMBER 5409728-0-1 REV P SHEET 1 OF 1	
CHKD. <i>AMACKY MOORE</i>		DATE 12-21-74		
ENG. <i>R. WOLF</i>		DATE 12-28-74		
PROD. <i>R. WOLF</i>		DATE 12-28-74		
APP. <i>R. WOLF</i>		DATE 12-28-74		
SEMICONDUCTOR CONVERSION CHART				
DEC NO.	EIA NO.	DEC NO.	EIA NO.	SCALE

NUMBER 5409728-0-1
 SHEET 1 OF 1