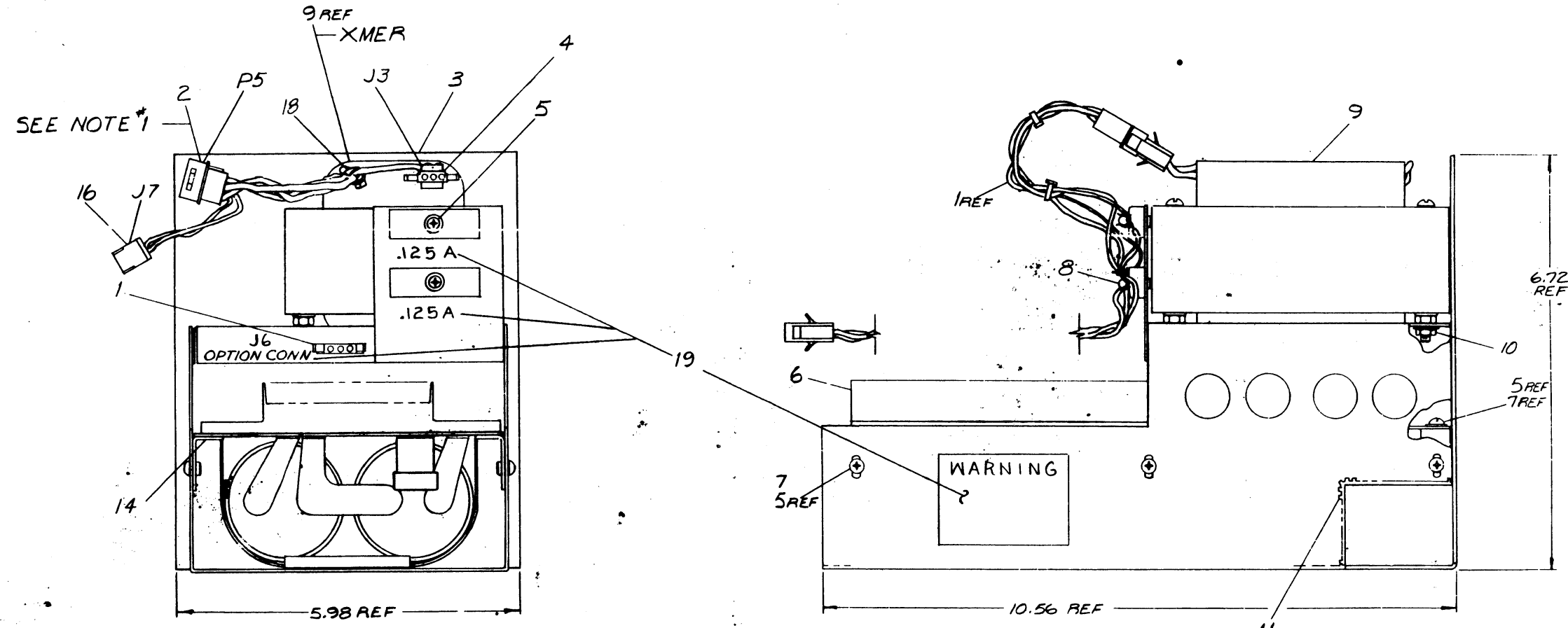


The drawing and specifications herein are the property of Digital Equipment Corporation and shall not be reproduced or copied or used in whole or in part as the basis for the manufacture or sale of items without written permission.

WIRE TABLE						
ITEM NO.	DESCRIPTION	FROM:	FROM:		TO:	
			CONNECTION	WITH	CONNECTION	WITH
9	BLU	XMER	-	J3-3	12	
				J3-2	12	
				J3-1	12	
				P5-3	13	
				P5-4	13	
9	WHT	-	-	P5-1	13	
				P5-2	13	
17	18	BLK	J7-1	12	P5-5	13
17	18	BLK	J7-2	12	P5-6	13

LENGTH OF WIRE TO BE 4 IN ± 1/2 IN

NOTES:  
1. LENGTH OF WIRES TERMINATING TO P5 (ITEM 2), ARE TO BE 8 INCHES ± 1/2 INCH.



END VIEW WITH WIRES FROM ITEM \*1 REMOVED

QTY.	DESCRIPTION	PART NO.	ITEM NO.
1	DECAL	A DC-709651-0-0	19
1	TIE WRAP PADUIT SST-18	9007031	18
A/R	WIRE 13 AWG TEF INS	9107360-00	17
1	CONN MATE-N-LOK (FEM)	1210821-02	16
1	STRAIN RELIEF	9008442	15
6	BRKT. SUPPORT ETCH BD	CIA-709925-0-0	14
6	CONTACT, MATE-N-LOK (MALE)	1209378-01	13
5	CONTACT, MATE-N-LOK (FEM)	1209379-01	12
A/R	SACCMET	9007621	11
4	NUT, KEP # 8-32	9006563	10
1	XMER (TRANSFORMER)	K-10601-02	9
2	FUSE 1/8AMP (3AG) S.B.	9008527	8
12	WASHER, INT TOOTH LOCK #6	9006633	7
1	REGULATOR BD ASSY	E-1A-5A097280-0	6
10	SCR, PHIL PAN HD # 6-32 X 25	9006020-1	5
1	CONN, MATE-N-LOK 3 CKT	1209350-03	4
1	CHASSIS, P.S.	D-1A-7093160-0	3
1	CONN, MATE-N-LOK 6 CKT	1209351-06	2
1	HARNASS, SECONDARY	D-1A-7008534-00	1

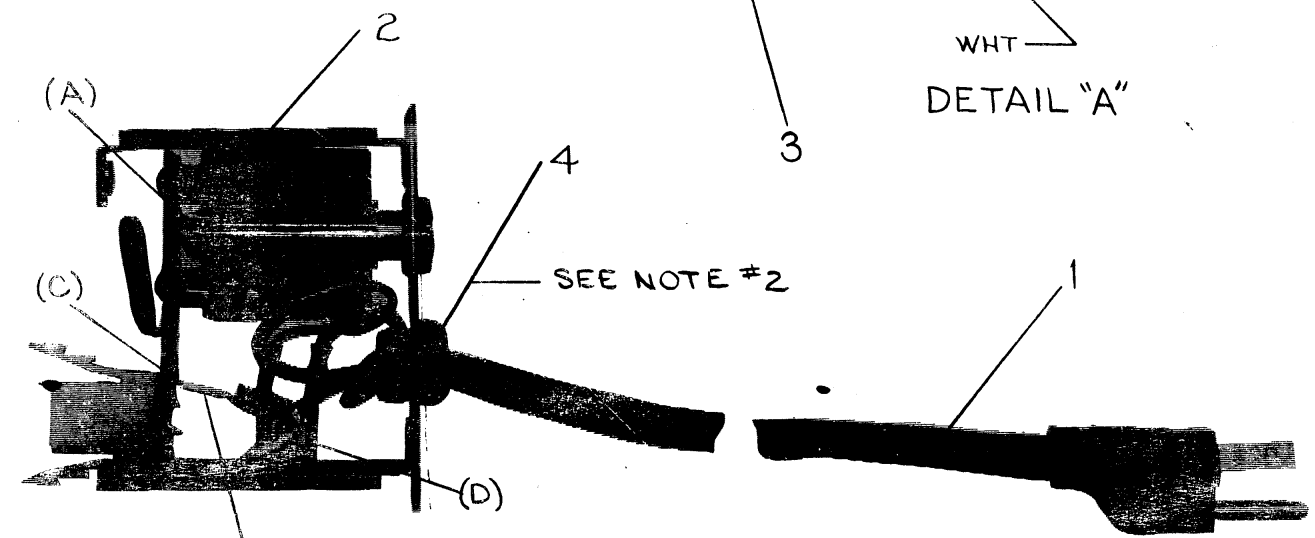
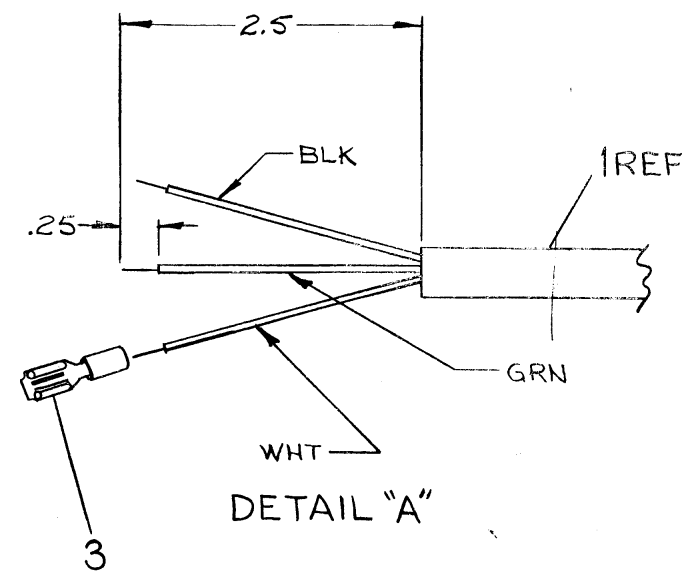
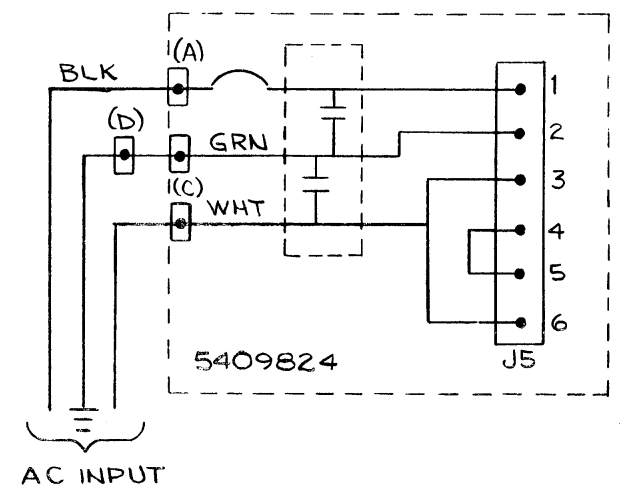
FIRST USED ON OPTION/MODEL		PARTS LIST	
PDP 8 M		TITLE	
UNLESS OTHERWISE SPECIFIED DIMENSION IN INCHES TOLERANCES		digital EQUIPMENT CORPORATION	
DECIMALS	ANGLES	POWER SUPPLY ASSY	
.XXX = .006	10° 30'	SIZE CODE NUMBER REV	
.XX = .02		DAD 7008714-0-0 A	
X = .1		SCALE NONE SHEET 1 OF 1	
MATERIAL	NEXT HIGHER ASSY.	DIST.	
FINISH			

REV.	CHANGE NO.	DATE	BY
1	7008714-00001 A	12/1/72	P. GARDNER
2	7008714-00002 B	12/1/72	P. GARDNER

erty of Digital Equipment Corporation and shall not be reproduced or copied or used in whole or in part as the basis for the manufacture or sale of items without written permission.

NOTES:

1. CONNECT ITEM #1 (POWER CORD) AND ITEM #2 (AC INPUT BOX) PER CIRCUIT SCHEMATIC.
2. FOR INSTALLATION USE HAYCO #29 STRAIN RELIEF PLIERS



SEE DETAIL 'A'  
3 REF  
SHOWN WITHOUT COVER

1	GROMMET HEYCO 6 P4	9007142	4
3	SOLDERLESS CONN. ARKLESS	9007917	3
1	AC INPUT BOX H400A	D-UA-H400-0-0	2
1	POWER CORD 120V	170015-6	1

FIRST USED ON OPTION/MODEL		QTY.	DESCRIPTION	PART NO.	ITEM NO.
11/05					
PARTS LIST					
UNLESS OTHERWISE SPECIFIED DIMENSION IN INCHES. TOLERANCES		DRN <i>T. Quillin</i>	DATE 12-27-71	<b>digital</b> EQUIPMENT CORPORATION MAYNARD MASSACHUSETTS  TITLE LINE SET 115V AC 7 AMP	
DECIMALS	ANGLES	CHK'D <i>H. Antone</i>	DATE 1-8-72		
.XXX = .005	±0° 30'	ENG. <i>David DeMunnelle</i>	DATE 1-4-72		
.XX = .02		PROJ. ENG. <i>R. H. Harty</i>	DATE 1-7-72		
REMOVE BURRS AND BREAK SHARP CORNERS SURFACE QUALITY ✓		PROD. <i>R.K. Petersen</i>	DATE 1/2/72		
MATERIAL		NEXT HIGHER ASSY.		SIZE CODE	NUMBER
FINISH		SCALE		C UA	BC05H-0-0
		SHEET 1 OF 1		DIST.	

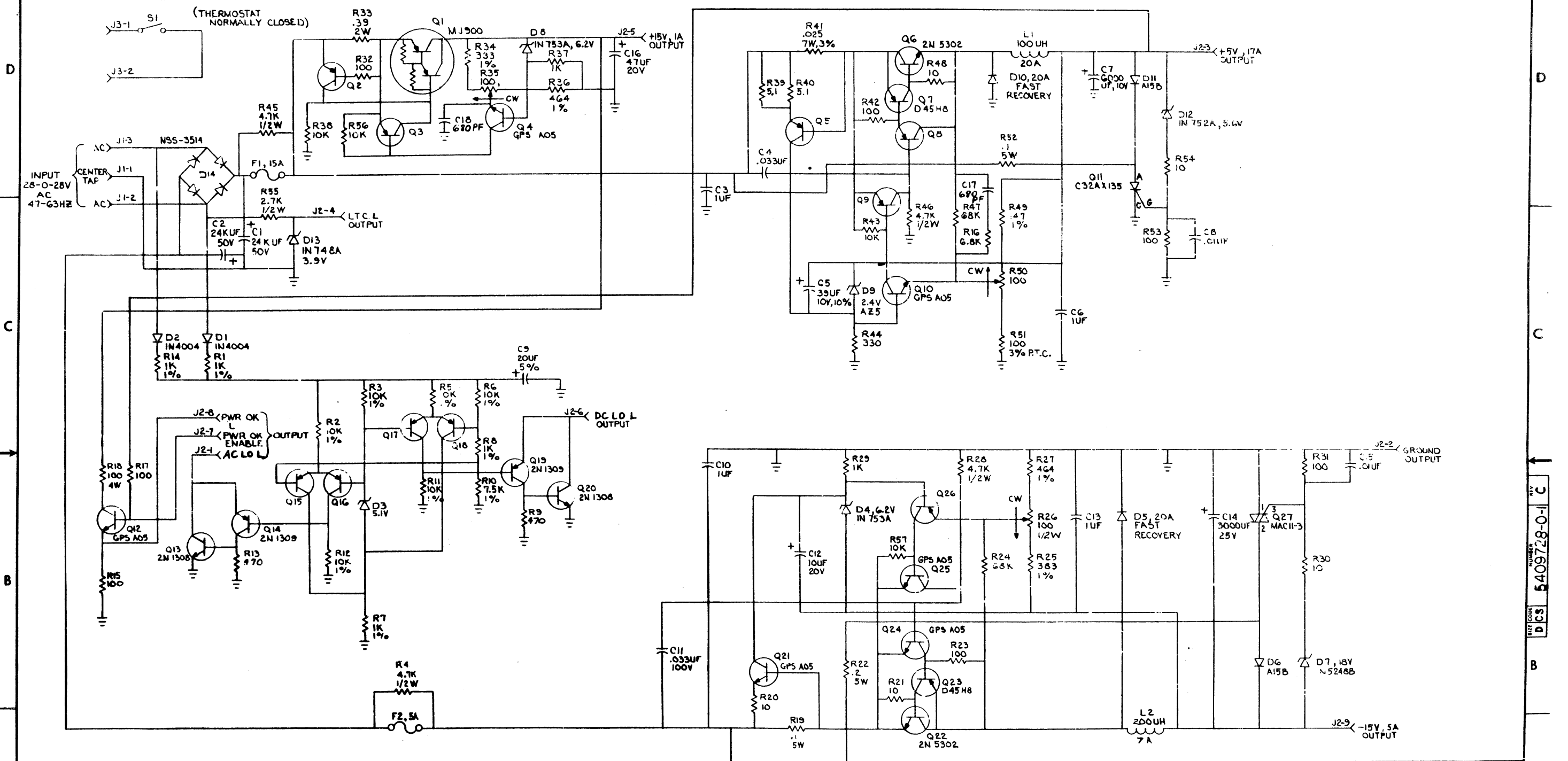
REVISIONS	REV.
CHANGE NO.	
CHK	

REV.	
NUMBER	BC05H-0-0
SIZE CODE	C UA



This drawing and specifications, herein, are the property of Digital Equipment Corporation and shall not be reproduced or copied or used in whole or in part as the basis for the manufacture or sale of items without written permission.

5409728-0-1



UNLESS OTHERWISE INDICATED:  
 1% RESISTORS ARE 1/8 W  
 TRANSISTORS - GFS A55

QTY	REF DESIGNATION	DESCRIPTION	PART NO.	ITEM NO.													
PARTS LIST																	
ETCH BOARD REV B C																	
<table border="1"> <tr> <td>DRN. <i>R. WOLFF</i></td> <td>DATE 12-20-71</td> <td rowspan="6">            DIGITAL EQUIPMENT CORPORATION            MAYNARD, MASSACHUSETTS         </td> </tr> <tr> <td>CHKD. <i>AMARV MOORE</i></td> <td>DATE 12-21-71</td> </tr> <tr> <td>ENG. <i>R. WOLFF</i></td> <td>DATE 12-28-71</td> </tr> <tr> <td>PROL. ENG. <i>R. WOLFF</i></td> <td>DATE 12-29-71</td> </tr> <tr> <td>PROD. <i>R. WOLFF</i></td> <td>DATE 12-29-71</td> </tr> <tr> <td colspan="2">NEXT HIGHER ASSY</td> </tr> </table>					DRN. <i>R. WOLFF</i>	DATE 12-20-71	DIGITAL EQUIPMENT CORPORATION MAYNARD, MASSACHUSETTS	CHKD. <i>AMARV MOORE</i>	DATE 12-21-71	ENG. <i>R. WOLFF</i>	DATE 12-28-71	PROL. ENG. <i>R. WOLFF</i>	DATE 12-29-71	PROD. <i>R. WOLFF</i>	DATE 12-29-71	NEXT HIGHER ASSY	
DRN. <i>R. WOLFF</i>	DATE 12-20-71	DIGITAL EQUIPMENT CORPORATION MAYNARD, MASSACHUSETTS															
CHKD. <i>AMARV MOORE</i>	DATE 12-21-71																
ENG. <i>R. WOLFF</i>	DATE 12-28-71																
PROL. ENG. <i>R. WOLFF</i>	DATE 12-29-71																
PROD. <i>R. WOLFF</i>	DATE 12-29-71																
NEXT HIGHER ASSY																	
TITLE			REV. C														
REGULATOR BOARD FOR H740			REV. C														
SIZE CODE DCS		NUMBER 5409728-0-1		REV. C													

REV	CHG	CHANGE NO.	REVISIONS
1	1-19-72		R. WOLFF
2	1-20-72		R. WOLFF
3	1-21-72		R. WOLFF
4	1-22-72		R. WOLFF
5	1-23-72		R. WOLFF

SEMICONDUCTOR CONVERSION CHART

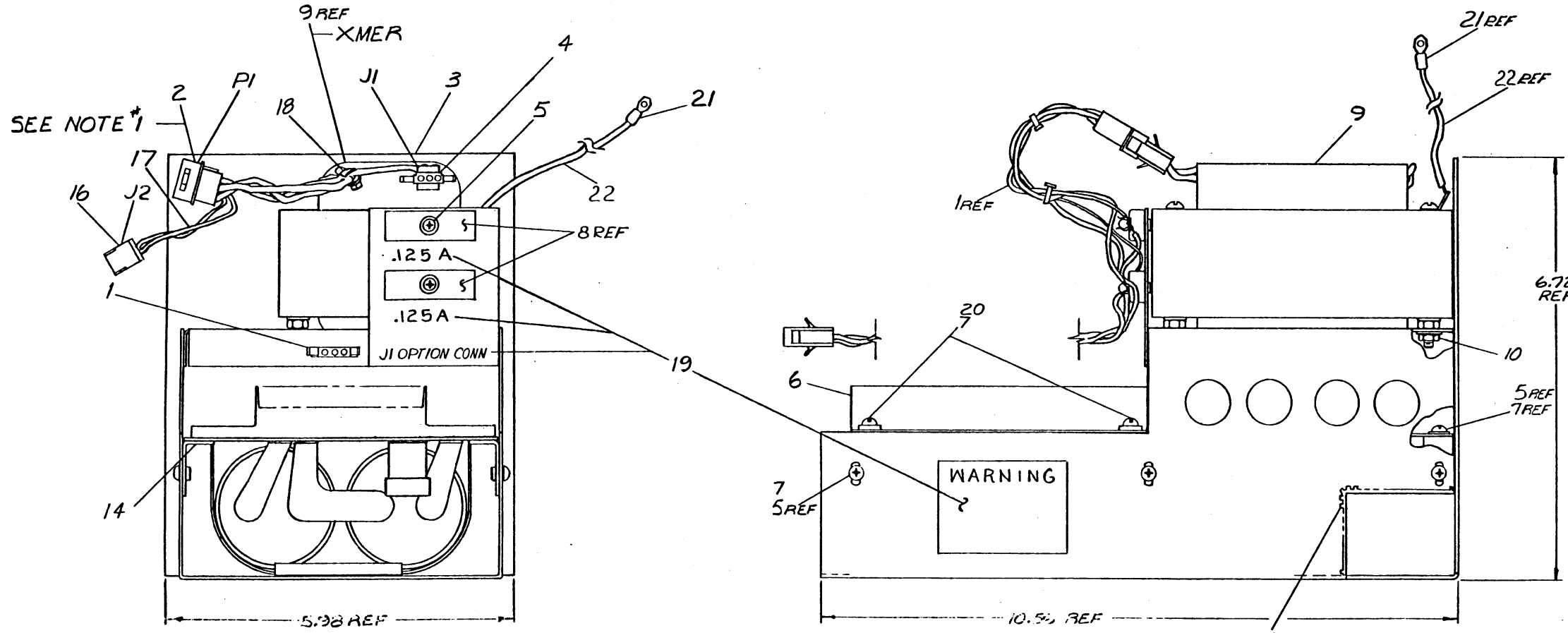
SHEET 1 OF 1

This drawing and specifications, herein, are the property of Digital Equipment Corporation and shall not be reproduced or copied or used in whole or in part as the basis for the manufacture or sale of items without written permission.

WIRE TABLE					
ITEM NO.	DESCR.	PLG.	FROM:	TO:	
NO.	AVG	COLOR	CONNECTION	WITH	CONNECTION WITH
9		BLU	XMER	-	J1-3 12
		BLU		-	J1-2 12
		BLU		-	J1-1 12
		RED		-	P1-3 13
		RED		-	P1-4 13
		WHT		-	P1-1 13
9		BLK	XMER	-	P1-2 13
17	18	BLK	J2-1	12	P1-5 13
17	18	BLK	J2-2	12	P1-6 13
22	18	GRN	XMER	SOLDEE	- 21

LENGTH OF WIRE TO BE 4 IN ± 1/2 IN

NOTES:  
 1. LENGTH OF WIRES TERMINATING TO PS (ITEM 2), ARE TO BE 8 INCHES ± 1/2 INCH.  
 2. COMPONENTS J1, J2, & P1, TO BE LABELED WITH COMPONENT IDENTIFIERS, USING BRADY MARKERS.



END VIEW WITH WIRES FROM ITEM #1 REMOVED

QTY	WIRE 18 AWG GREEN	9107360-55	22
1	TERMINAL SOLDERLESS	9007927	21
4	SCR, PHIL FAN HD. #6-32X.50	9006024-1	20
1	DECAL	A-DC-7409651-0-0	19
1	TIE WRAP PADUIT SST-18	9007031	18
A/R	WIRE 18 AWG BLK	9107360-00	17
1	CONN, MATE-N-LOK (FEM)	1210821-02	16
1	STRAIN, RELIEF	9008442	15
6	BRKT, SUPPORT ETCH BD	C-1A-7409375-0-0	14
6	CONTACT, MATE-N-LOK (MALE)	1209378-01	13
5	CONTACT, MATE-N-LOK (FEM)	1209379-01	12
A/R	GROMMET	9007621	11
4	NUT, KEP #8-32	9006563	10
1	XMER (TRANSFORMER)	1610601-02	9
2	FUSE 1/8AMP (3A.G) S.B.	9008527	8
12	WASHER, INT TOOTH LOCK #6	9006633	7
1	REGULATOR BD ASSY	E-1A-54091280-0	6
10	SCR, PHIL FAN HD #6-32 X.25	9006020-1	5
1	CONN, MATE-N-LOK 3 CKT	1209350-03	4
1	CHASSIS, P.S.	D-1A-7409376-00	3
1	CONN, MATE-N-LOK 6 CKT	1209351-06	2
1	HARNESS, SECONDARY	D-1A-7008534-00	1

FIRST USED ON OPTION/MODEL	QTY.	DESCRIPTION	PART NO.	ITEM NO.
PDP 8-1				

UNLESS OTHERWISE SPECIFIED DIMENSION IN INCHES TOLERANCES		DRM	DATE	PARTS LIST	
DECIMALS	ANGLES	CHKD	DATE	DIGITAL EQUIPMENT CORPORATION	
.XXX - .005	±0° 30'	ENG	DATE	MAYFORD MASSACHUSETTS	
.XX - .02		PBJ/ENG	DATE	TITLE	
.X - .1		PROD	DATE	POWER SUPPLY ASSY	
REMOVE BURRS AND BREAK SHARP CORNERS SURFACE QUALITY ✓			DATE	SIZE CODE	
			DATE	NUMBER	
MATERIAL		NEXT HIGHER ASSY.		REV.	
FINISH		D-1A-PDP8M-2-C		DAD 7008714-0-0	
		SCALE NONE		DIST. ✓	
		SHEET 1 OF 1			

REV.	CHG. NO.	REV.
1	7008714-00001	A
2	7008714-00002	B
3	7008714-00003	C
4	7008714-00004	D
5	7008714-00005	E
6	7008714-00006	F
7	7008714-00007	G
8	7008714-00008	H