

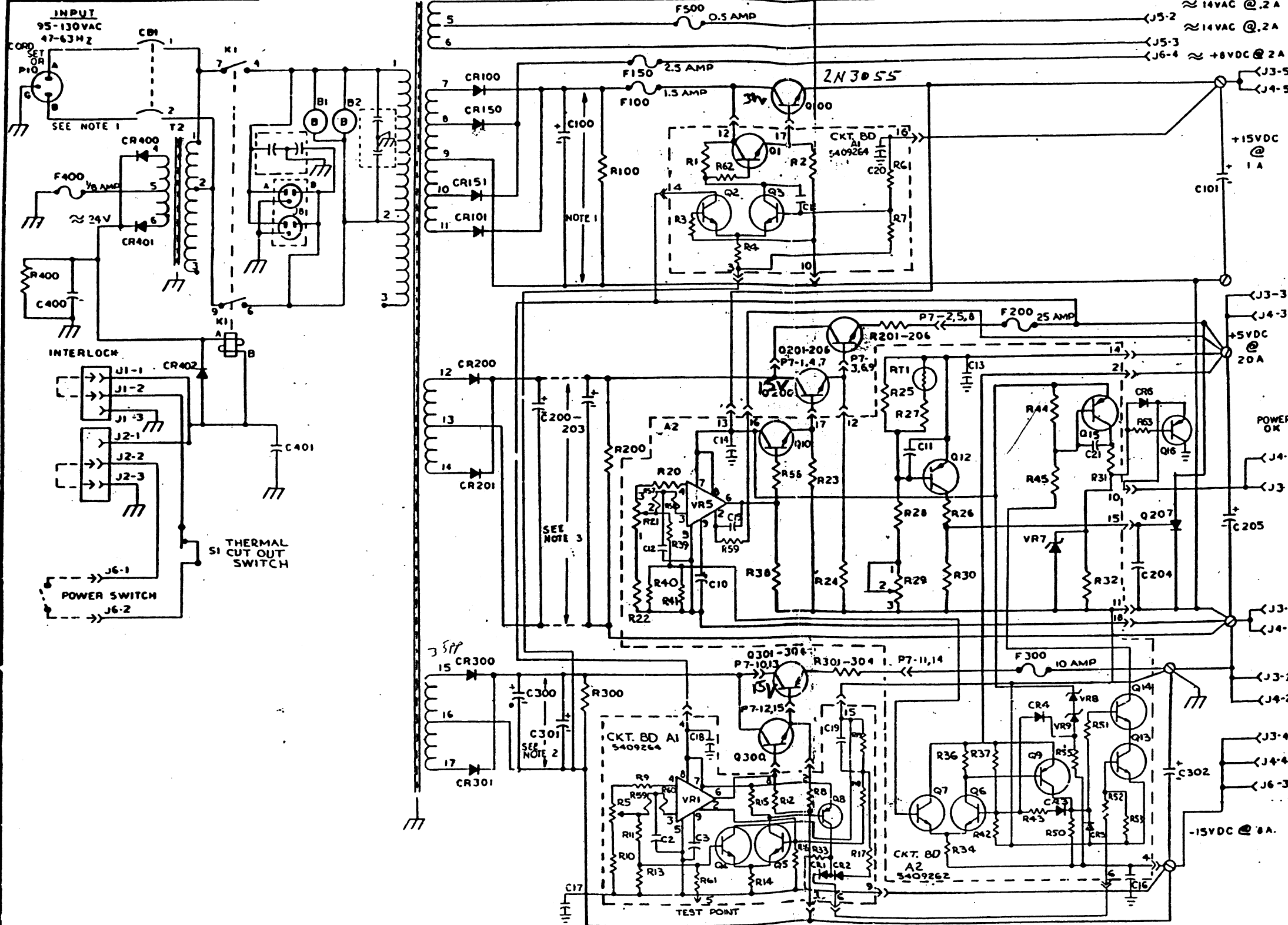
H724

DP S/E POWER SUPPLY

NOTES:

1. FOR POWER SUPPLIES MADE BY NORTH ELECTRIC CO. AC INPUT WILL BE THRU P10 INLET FOR POWER SUPPLIES MADE BY DEC, AC INPUT WILL BE THROUGH CORD SET DEC PART #700006-15
 2. +185VDC MINIMUM
 +36VDC MAXIMUM
 3. +8.6VDC MINIMUM
 +18VDC MAXIMUM

THIS SCHEMATIC IS FURNISHED ONLY FOR TEST AND MAINTENANCE PURPOSES. THE COMPANY ASSUMES NO LIABILITY IN REPAIR AND SHOULD BE TREATED ACCORDINGLY. REPAIRS SHOULD BE MADE BY QUALIFIED PERSONNEL.



REF DES	DESCRIPTION	PART NO.
FILTER ASSEMBLY		
A1	CONTROL BOARD A1	5409264
A2	CONTROL BOARD A2	5409262
Q100	2N3055 TO-41 CASE	1510008
Q300-304	2N3055 TO-41 CASE	1510008
Q200-206	2N3055 TO-41 CASE	1510008
R100R300	RES 300Ω 10W 5%	130088-0
R200	RES 100Ω 25W 5%	1302888
R201-206	RES .1485W 1%	130189
R301-304	RES .2583W 1%	130219
R400	RES 3.9K 1/2 W 5%	1300443
S1	SWITCH THERMSTAT	1210199-0
T1	TRANSFORMER	116018-C
T2	TRANSFORMER	116017-0
J8	OUTLET AM #10103 OR EQWV	120335
P10	MALE INLET AM #5278 OR EQWV	120983
CR400A02	DIODE 1N645	1105319
F400	FUSE 1/8 SLO BLO	9000627
C401	CAP .01 MFD @ 200V DC	1001610
C400	CAP 270 MFD @ 50V DC	101092-0
Q1	MOVASBY	700207
B1, 2	BLOWER	1209403
Q207	SCR PRV 100 IEC 85A	110183-0
C100	CAP 6000 MFD @ 40V DC	1010186
C101, 302	CAP 10,800 MFD @ 20V DC	1010185-0
C200-203	CAP 30,000 MFD @ 25V DC	1010184-0
C204	CAP 10 MFD @ 35V DC	1001776
C205	CAP 18,000 MFD @ 10V DC	100097-0
C300, 301	CAP 14,000 MFD @ 40V DC	1010187-0
Q300-304	DIODE 1N4001	1100023
CB1	CKT. BRK. 10AMP	12 091-C
CR100, 101	DIODE 1N4721	110182-0
CR151	DIODE 1N4721	110182-0
CR200, 201	DIODE 1N185A	1109979
CR300, 301	DIODE 1N1201A	1100006
F500	FUSE .5A AGC	9007208
F100	FUSE 1.5 AGC	9008380
F150	FUSE 2.5A AGC	9008367
F200	FUSE 25A AGC	9008386
F300	FUSE 10A AB	9008390
K1	RELAY	121098-0
REF DES	DESCRIPTION	PART NO.

TRANSISTOR & DIODE CONVERSION CHART

TYPE	MANUFACTURER	DESCRIPTION	PART NO.
Q100	2N3055	TO-41 CASE	1510008
Q201-206	2N3055	TO-41 CASE	1510008
Q301-304	2N3055	TO-41 CASE	1510008

H724 SCHEMATIC

EQUIPMENT CORPORATION

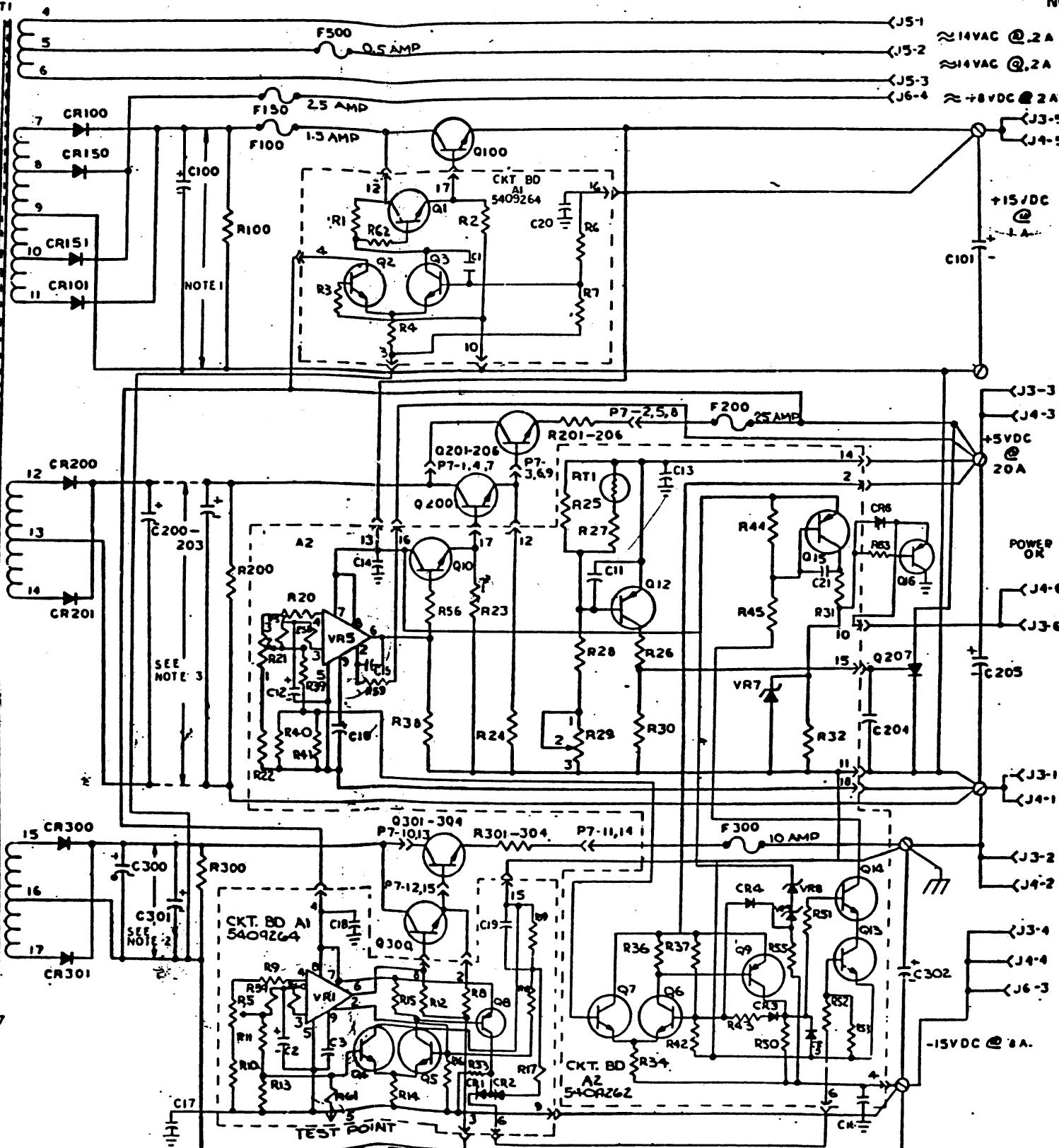
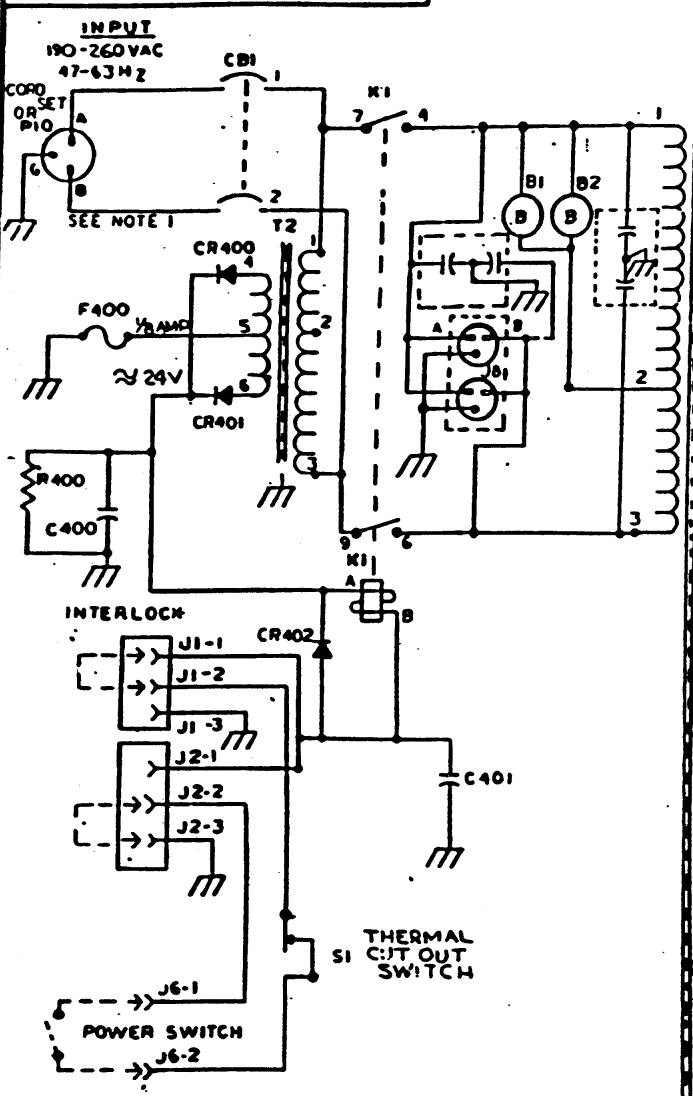
DATE: 11/1/68

DESIGNER: J. M. J.

APPROVED: J. M. J.

THIS SCHEMATIC IS FORWARDED ONLY FOR INFORMATION PURPOSES. THE PRODUCTS ARE FORWARDED TO THE USER AND NOT TO THE ADDRESS. DEPARTMENT 1470 BY SIGNAL EQUIPMENT CORPORATION

H724-A-1



NOTES:
 1. FOR POWER SUPPLIES MADE BY NORTH ELECTRIC CO. AC INPUT WILL BE THROUGH P10 INLET FOR POWER SUPPLIES MADE BY DEC AC INPUT WILL BE THROUGH CORD SET DEC PART 1730003-15
 2. +18.9VDC MINIMUM
 +36VDC MAXIMUM
 3. +8.6 VDC MINIMUM
 +18VDC MAXIMUM

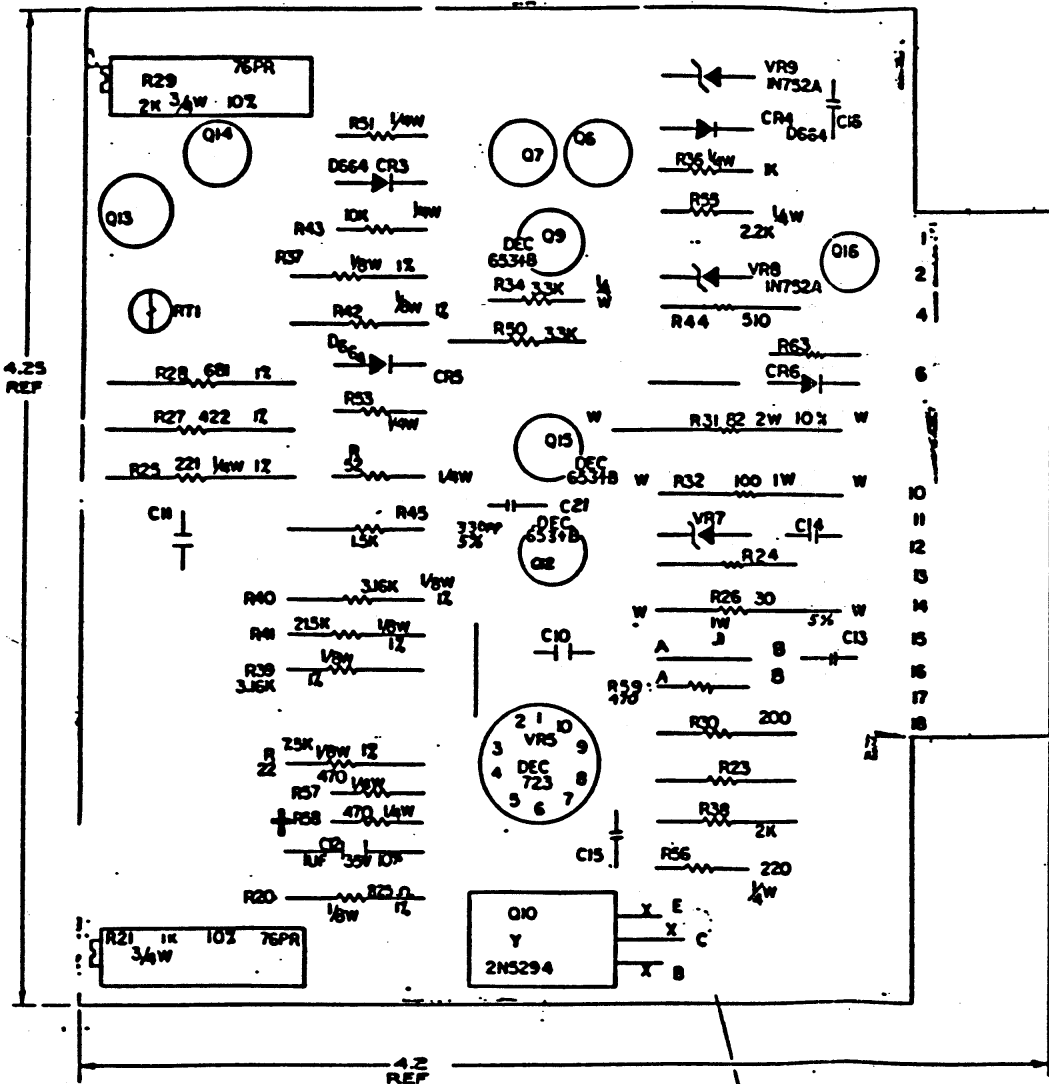
REF DES	DESCRIPTION	QTY
FILTER ASSEMBLY		
A1	CONTROL BOARD A1	1
A2	CONTROL BOARD A2	1
Q100-304	2N3055 TO-18 CASE	5
Q200-206	2N3055 TO-18 CASE	5
Q300-304	2N3055 TO-18 CASE	5
R100-F300	RES 300 Ω 10W 5%	10
R200	RES 100 Ω 25W 5%	10
R201-206	RES .14R5W 1%	30
R300-304	RES .25R3W 1%	30
R400	RES 3.9 K 1/2 W 5%	100
S1	SWITCH THERMOSTAT	1
T1	TRANS FORMER	1
T2	TRANS FORMER	1
J8	OUTLET AMP #3662-DOE COMV	1
P10	MALE INLET AMP #5678 OR EQUIV	1
F400-402	DIODE 1N434	3
F400	FUSE 1/8 SLO BLO	100
C401	CAP .01MFD @ 200 VDC	100
C400	CAP 270 MFD @ 50 VDC	100
C100-302	NOV-334	100
B1, 2	BLOWER	2
Q207	SCR PRV 100 I _{AV} 35A	1
C100	CAP 6000 MFD @ 40 VDC	1
C101,302	CAP 10,000MFD @ 20 VDC	1
C200-203	CAP 30,000 MFD @ 25 VDC	1
C204	CAP 1.0MFD @ 35 VDC	1
C205	CAP 1000 MFD @ 10 VDC	1
C300,301	CAP 14000 MFD @ 40 VDC	1
F500,800	DIODE 1N4001	100
CBI	CKT. BRK. 5 AMP	1
CR100,101	DIODE 1N4721	1
CR150,151	DIODE 1N1185A	1
CR200,201	DIODE 1N1201A	1
CR300,301	DIODE 1N1201A	1
F500	FUSE .5A AGC	1
F100	FUSE 1.5 AGC	1
F150	FUSE 2.5A ABC	1
F200	FUSE 25A ABC	1
F300	FUSE 10A ABC	1
K1	RELAY	1
REF DES	DESCRIPTION	QTY

REF	SYM	VAL	UNIT
R1	RES	300	Ω
R2	RES	100	Ω
R3	RES	3.9K	Ω
R4	RES	100	Ω
R5	RES	100	Ω
R6	RES	100	Ω
R7	RES	100	Ω
R8	RES	100	Ω
R9	RES	100	Ω
R10	RES	100	Ω
R11	RES	100	Ω
R12	RES	100	Ω
R13	RES	100	Ω
R14	RES	100	Ω
R15	RES	100	Ω
R16	RES	100	Ω
R17	RES	100	Ω
R18	RES	100	Ω
R19	RES	100	Ω
R20	RES	100	Ω
R21	RES	100	Ω
R22	RES	100	Ω
R23	RES	100	Ω
R24	RES	100	Ω
R25	RES	100	Ω
R26	RES	100	Ω
R27	RES	100	Ω
R28	RES	100	Ω
R29	RES	100	Ω
R30	RES	100	Ω
R31	RES	100	Ω
R32	RES	100	Ω
R33	RES	100	Ω
R34	RES	100	Ω
R35	RES	100	Ω
R36	RES	100	Ω
R37	RES	100	Ω
R38	RES	100	Ω
R39	RES	100	Ω
R40	RES	100	Ω

TRANSFORMER & DIODE CONNECTION CHART

WINDING	TO	THRU	FROM
4			
5			
6			
7			
8			
9			
10			
11			
12			
13			
14			
15			
16			
17			

H724A SCHEMATIC
 EQUIPMENT CORPORATION
 H724-A-1



REF	SYM	DESCRIPTION	QTY	UNIT	DATE
1	R63	RES. 10K. 1/4W. 5%	1301317	44	
1	C21	CAP. 330 PF. 50V. 5%	10-00023	45	
4	CR3, CR4, CR5, CR6	DIODE. IN752A OR EQUIV. 200V. 500mA	1100448	46	
1	R65	RES. 2.2K. 1/4W. 5%	1300447	47	
1	R60	RES. 3300. 1/4W. 5%	1300440	48	
1	REF	CIRCUIT SCHEMATIC	DCS-4754-41	49	
1	REF	CIRCUIT SCHEMATIC	DCS-4754-0-1	50	
1	REF	WEL. #23. ASS. BUS	307540-C1	51	
1	REF	SCHEM. FILE. FOR NO. 2-4-66-33	300830-1	52	
1	REF	REP. MAT. #4-66	3008307	53	
1	Q10	TRANSISTOR. 2N5294	1301377	54	
4	Q5, Q6, Q7, Q8	TRANSISTOR. DEC. 6534-B	1302408-01	55	
4	Q6, Q7, Q8, Q9	TRANSISTOR. MPS. 6531	1302398	56	
2	VR8, VR9	DIODE. IN752A. 200V. 500mA	1102808	57	
1	R57, R58, R59	RES. 470. 1/4W. 5%	1400346	58	
1	RT1	TRANSISTOR. 1000. 210%	1300770	59	
4	R34, R31, R32, R33	RES. 1K. 1/4W. 5%	1300368	60	
1	R45	RES. 1.5K. 1/4W. 5%	1300394	61	
1	R44	RES. 510. 1/4W. 5%	1300371	62	
1	R43	RES. 10K. 1/4W. 5%	1300477	63	
1	R40	RES. 3.6K. 1/4W. 5%	1300388	64	
2	R39, R40	RES. 3.6K. 1/4W. 5%	1300448	65	
1	R38	RES. 2K. 1/4W. 5%	1300387	66	
2	R37, R42	RES. 1K. 1/4W. 5%	1300344	67	
1	C12	CAP. 10. 10V. 10%	1301778	68	
1	R36	RES. 3300. 1/4W. 5%	1300439	69	
1	R32	RES. 100. 1/4W. 5%	1300238	70	
1	R31	RES. 2K. 2W. 10%	1304830	71	
1	R30	RES. 200. 1/4W. 5%	1300230	72	
1	R29	RES. 2K. 1/4W. 10% 76PR	100043-00	73	
1	R28	RES. 60. 1/4W. 1% MF	1302382	74	
1	R27	RES. 470. 1/4W. 1% MF	1300388	75	
1	R26	RES. 30. 1/4W. 5%	1302792	76	
1	R25	RES. 22. 1/4W. 1% MF	1302382	77	
2	R23, R24	RES. 1K. 1/4W. 5%	1300368	78	
1	R22	RES. 1.5K. 1/4W. 5%	1300394	79	
1	R21	RES. 1K. 1/4W. 5%	1300368	80	
1	R20	RES. 22. 1/4W. 5%	1300346	81	
1	R19	RES. 1K. 1/4W. 5%	1300368	82	
1	R18	RES. 1K. 1/4W. 5%	1300368	83	
1	R17	RES. 200. 1/4W. 5%	1300230	84	
1	R16	RES. 2K. 1/4W. 5%	1300477	85	
1	R15	RES. 10K. 1/4W. 5%	1300477	86	
1	R14	RES. 3.6K. 1/4W. 5%	1300388	87	
1	R13	RES. 25K. 1/4W. 5%	1300368	88	
1	R12	RES. 470. 1/4W. 5%	1300388	89	
1	R11	RES. 470. 1/4W. 5%	1300388	90	
1	R10	RES. 330. 1/4W. 5%	1300388	91	
1	R9	RES. 1K. 1/4W. 5%	1300368	92	
1	R8	RES. 1K. 1/4W. 5%	1300368	93	
1	R7	RES. 1K. 1/4W. 5%	1300368	94	
1	R6	RES. 1K. 1/4W. 5%	1300368	95	
1	R5	RES. 1K. 1/4W. 5%	1300368	96	
1	R4	RES. 1K. 1/4W. 5%	1300368	97	
1	R3	RES. 1K. 1/4W. 5%	1300368	98	
1	R2	RES. 1K. 1/4W. 5%	1300368	99	
1	R1	RES. 1K. 1/4W. 5%	1300368	100	

LA 723 C	5	2	38	22	JE-A	JE-B
IC TYPE	500	500	38	22	JE-A	JE-B
IC PIN LOCATIONS						

REV	DATE	BY	DESCRIPTION
1	10/1/66	J. J. [unclear]	INITIAL DESIGN
2	10/1/66	J. J. [unclear]	REVISED FOR [unclear]
3	10/1/66	J. J. [unclear]	REVISED FOR [unclear]
4	10/1/66	J. J. [unclear]	REVISED FOR [unclear]
5	10/1/66	J. J. [unclear]	REVISED FOR [unclear]
6	10/1/66	J. J. [unclear]	REVISED FOR [unclear]
7	10/1/66	J. J. [unclear]	REVISED FOR [unclear]
8	10/1/66	J. J. [unclear]	REVISED FOR [unclear]
9	10/1/66	J. J. [unclear]	REVISED FOR [unclear]
10	10/1/66	J. J. [unclear]	REVISED FOR [unclear]

CONTROL BOARD
A2

ETA 409262-0-0