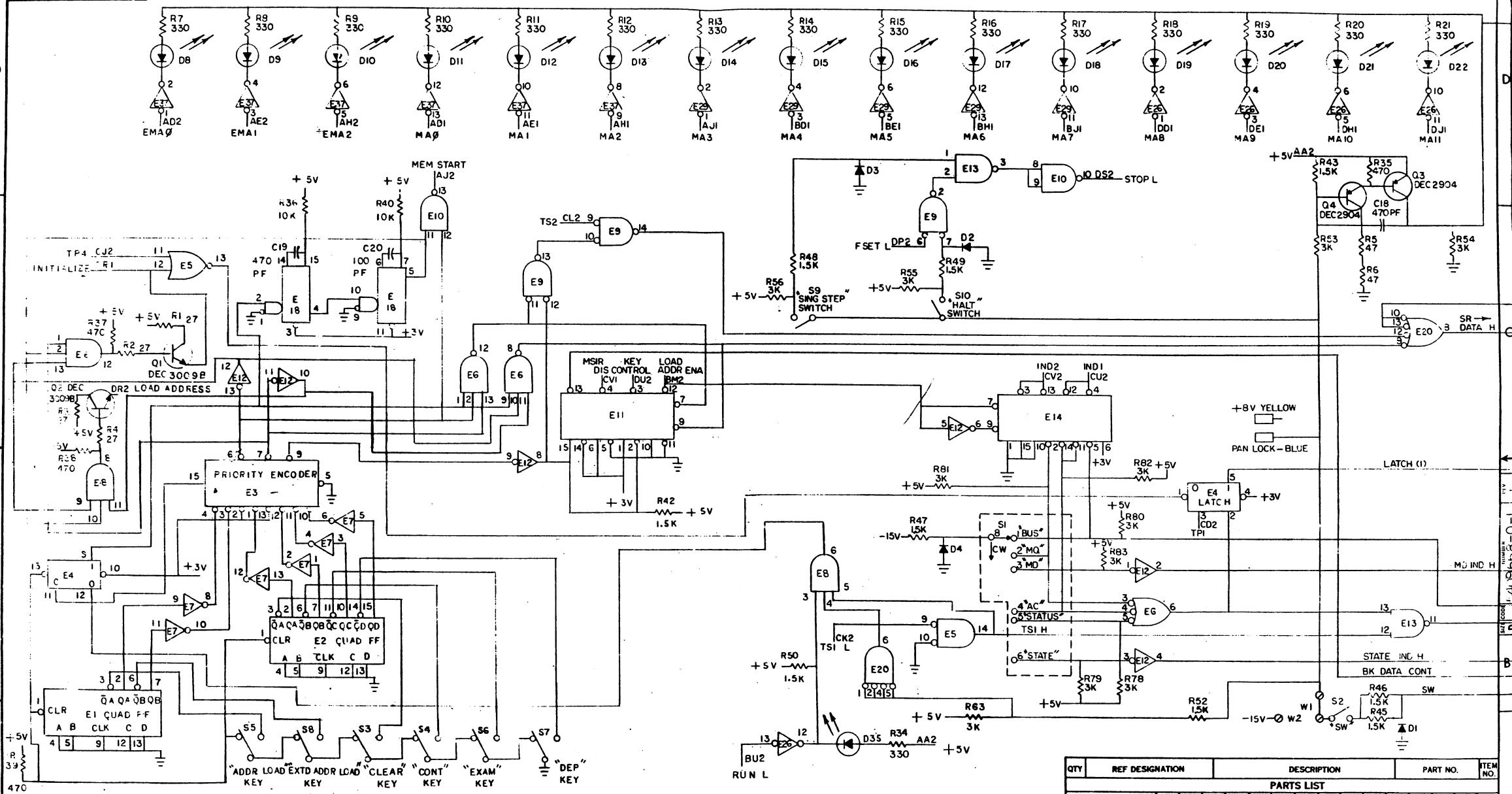
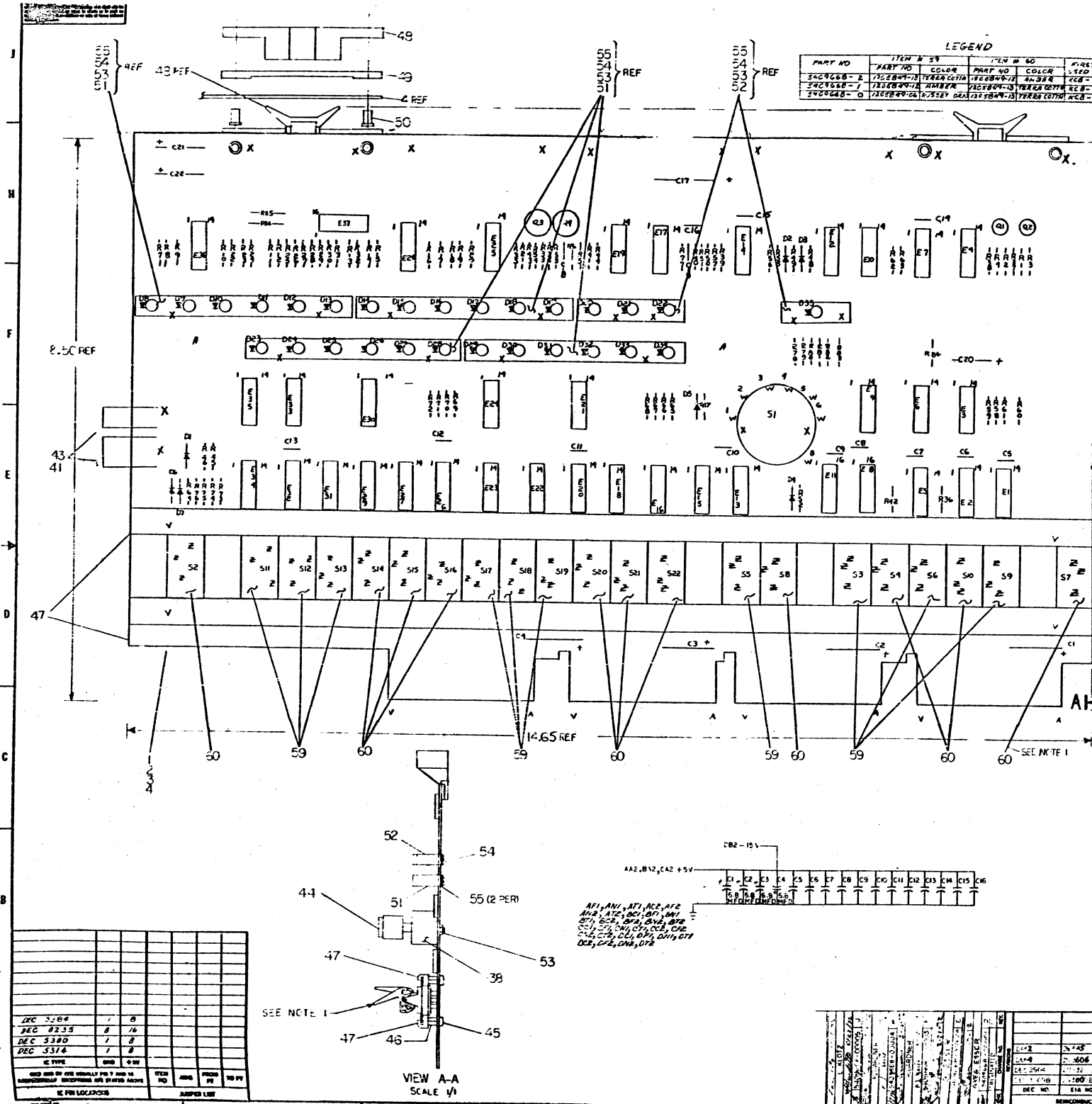


This drawing and specifications, herein, are the property of Digital Equipment Corporation and shall not be reproduced or used in whole or in part for the manufacture of any device without the express written permission.

1-0-0-1 DCS 5409668-8



QTY	REF DESIGNATION	DESCRIPTION	PART NO.	ITEM NO.
PARTS LIST				
ETCH BOARD REV F				
REVISIONS				
DATE	BY	REVISION		
11-17-72	R.K.O.	1		
11-17-72	R.K.O.	2		
11-17-72	R.K.O.	3		
11-17-72	R.K.O.	4		
11-17-72	R.K.O.	5		
11-17-72	R.K.O.	6		
11-17-72	R.K.O.	7		
11-17-72	R.K.O.	8		
11-17-72	R.K.O.	9		
11-17-72	R.K.O.	10		
11-17-72	R.K.O.	11		
11-17-72	R.K.O.	12		
11-17-72	R.K.O.	13		
11-17-72	R.K.O.	14		
11-17-72	R.K.O.	15		
11-17-72	R.K.O.	16		
11-17-72	R.K.O.	17		
11-17-72	R.K.O.	18		
11-17-72	R.K.O.	19		
11-17-72	R.K.O.	20		
11-17-72	R.K.O.	21		
11-17-72	R.K.O.	22		
11-17-72	R.K.O.	23		
11-17-72	R.K.O.	24		
11-17-72	R.K.O.	25		
11-17-72	R.K.O.	26		
11-17-72	R.K.O.	27		
11-17-72	R.K.O.	28		
11-17-72	R.K.O.	29		
11-17-72	R.K.O.	30		
11-17-72	R.K.O.	31		
11-17-72	R.K.O.	32		
11-17-72	R.K.O.	33		
11-17-72	R.K.O.	34		
11-17-72	R.K.O.	35		
11-17-72	R.K.O.	36		
11-17-72	R.K.O.	37		
11-17-72	R.K.O.	38		
11-17-72	R.K.O.	39		
11-17-72	R.K.O.	40		
11-17-72	R.K.O.	41		
11-17-72	R.K.O.	42		
11-17-72	R.K.O.	43		
11-17-72	R.K.O.	44		
11-17-72	R.K.O.	45		
11-17-72	R.K.O.	46		
11-17-72	R.K.O.	47		
11-17-72	R.K.O.	48		
11-17-72	R.K.O.	49		
11-17-72	R.K.O.	50		
11-17-72	R.K.O.	51		
11-17-72	R.K.O.	52		
11-17-72	R.K.O.	53		
11-17-72	R.K.O.	54		
11-17-72	R.K.O.	55		
11-17-72	R.K.O.	56		
11-17-72	R.K.O.	57		
11-17-72	R.K.O.	58		
11-17-72	R.K.O.	59		
11-17-72	R.K.O.	60		
11-17-72	R.K.O.	61		
11-17-72	R.K.O.	62		
11-17-72	R.K.O.	63		
11-17-72	R.K.O.	64		
11-17-72	R.K.O.	65		
11-17-72	R.K.O.	66		
11-17-72	R.K.O.	67		
11-17-72	R.K.O.	68		
11-17-72	R.K.O.	69		
11-17-72	R.K.O.	70		
11-17-72	R.K.O.	71		
11-17-72	R.K.O.	72		
11-17-72	R.K.O.	73		
11-17-72	R.K.O.	74		
11-17-72	R.K.O.	75		
11-17-72	R.K.O.	76		
11-17-72	R.K.O.	77		
11-17-72	R.K.O.	78		
11-17-72	R.K.O.	79		
11-17-72	R.K.O.	80		
11-17-72	R.K.O.	81		
11-17-72	R.K.O.	82		
11-17-72	R.K.O.	83		
11-17-72	R.K.O.	84		
11-17-72	R.K.O.	85		
11-17-72	R.K.O.	86		
11-17-72	R.K.O.	87		
11-17-72	R.K.O.	88		
11-17-72	R.K.O.	89		
11-17-72	R.K.O.	90		
11-17-72	R.K.O.	91		
11-17-72	R.K.O.	92		
11-17-72	R.K.O.	93		
11-17-72	R.K.O.	94		
11-17-72	R.K.O.	95		
11-17-72	R.K.O.	96		
11-17-72	R.K.O.	97		
11-17-72	R.K.O.	98		
11-17-72	R.K.O.	99		
11-17-72	R.K.O.	100		



LEGEND

PART NO	ITEM # 39	ITEM # 40	ITEM # 41	ITEM # 42
340968-2	122880-1A	122880-1A	122880-1A	122880-1A
340968-1	122880-1A	122880-1A	122880-1A	122880-1A
340968-0	122880-1A	122880-1A	122880-1A	122880-1A

NOTES:
 1. ITEM 22 (MOMENTARY SWITCH) TO BE INSTALLED
 IN THE OFF POSITION.
 2. LOCATION ONLY.

2	C21, C22	CAP 220UF 35V 20% S. 100E-134	62
3	E37	DIODE 1N4148	51
4	C40	RES 1/4W 10K 5% 100E-134	52
5	R1	RES 1/4W 10K 5% 100E-134	53
6	R2	RES 1/4W 10K 5% 100E-134	54
7	R3	RES 1/4W 10K 5% 100E-134	55
8	R4	RES 1/4W 10K 5% 100E-134	56
9	R5	RES 1/4W 10K 5% 100E-134	57
10	R6	RES 1/4W 10K 5% 100E-134	58
11	R7	RES 1/4W 10K 5% 100E-134	59
12	R8	RES 1/4W 10K 5% 100E-134	60
13	R9	RES 1/4W 10K 5% 100E-134	61
14	R10	RES 1/4W 10K 5% 100E-134	62
15	R11	RES 1/4W 10K 5% 100E-134	63
16	R12	RES 1/4W 10K 5% 100E-134	64
17	R13	RES 1/4W 10K 5% 100E-134	65
18	R14	RES 1/4W 10K 5% 100E-134	66
19	R15	RES 1/4W 10K 5% 100E-134	67
20	R16	RES 1/4W 10K 5% 100E-134	68
21	R17	RES 1/4W 10K 5% 100E-134	69
22	R18	RES 1/4W 10K 5% 100E-134	70
23	R19	RES 1/4W 10K 5% 100E-134	71
24	R20	RES 1/4W 10K 5% 100E-134	72
25	R21	RES 1/4W 10K 5% 100E-134	73
26	R22	RES 1/4W 10K 5% 100E-134	74
27	R23	RES 1/4W 10K 5% 100E-134	75
28	R24	RES 1/4W 10K 5% 100E-134	76
29	R25	RES 1/4W 10K 5% 100E-134	77
30	R26	RES 1/4W 10K 5% 100E-134	78
31	R27	RES 1/4W 10K 5% 100E-134	79
32	R28	RES 1/4W 10K 5% 100E-134	80
33	R29	RES 1/4W 10K 5% 100E-134	81
34	R30	RES 1/4W 10K 5% 100E-134	82
35	R31	RES 1/4W 10K 5% 100E-134	83
36	R32	RES 1/4W 10K 5% 100E-134	84
37	R33	RES 1/4W 10K 5% 100E-134	85
38	R34	RES 1/4W 10K 5% 100E-134	86
39	R35	RES 1/4W 10K 5% 100E-134	87
40	R36	RES 1/4W 10K 5% 100E-134	88
41	R37	RES 1/4W 10K 5% 100E-134	89
42	R38	RES 1/4W 10K 5% 100E-134	90
43	R39	RES 1/4W 10K 5% 100E-134	91
44	R40	RES 1/4W 10K 5% 100E-134	92
45	R41	RES 1/4W 10K 5% 100E-134	93
46	R42	RES 1/4W 10K 5% 100E-134	94
47	R43	RES 1/4W 10K 5% 100E-134	95
48	R44	RES 1/4W 10K 5% 100E-134	96
49	R45	RES 1/4W 10K 5% 100E-134	97
50	R46	RES 1/4W 10K 5% 100E-134	98
51	R47	RES 1/4W 10K 5% 100E-134	99
52	R48	RES 1/4W 10K 5% 100E-134	100

REV	DATE	BY	CHKD	DESCRIPTION
1	DEC 31 64			
2	DEC 23 65			
3	DEC 3 66			
4	DEC 5 66			

SEE NOTE 1

VIEW A-A
SCALE 1/1

EQUIPMENT CORPORATION
 FRONT PNL
 CONT BOARD

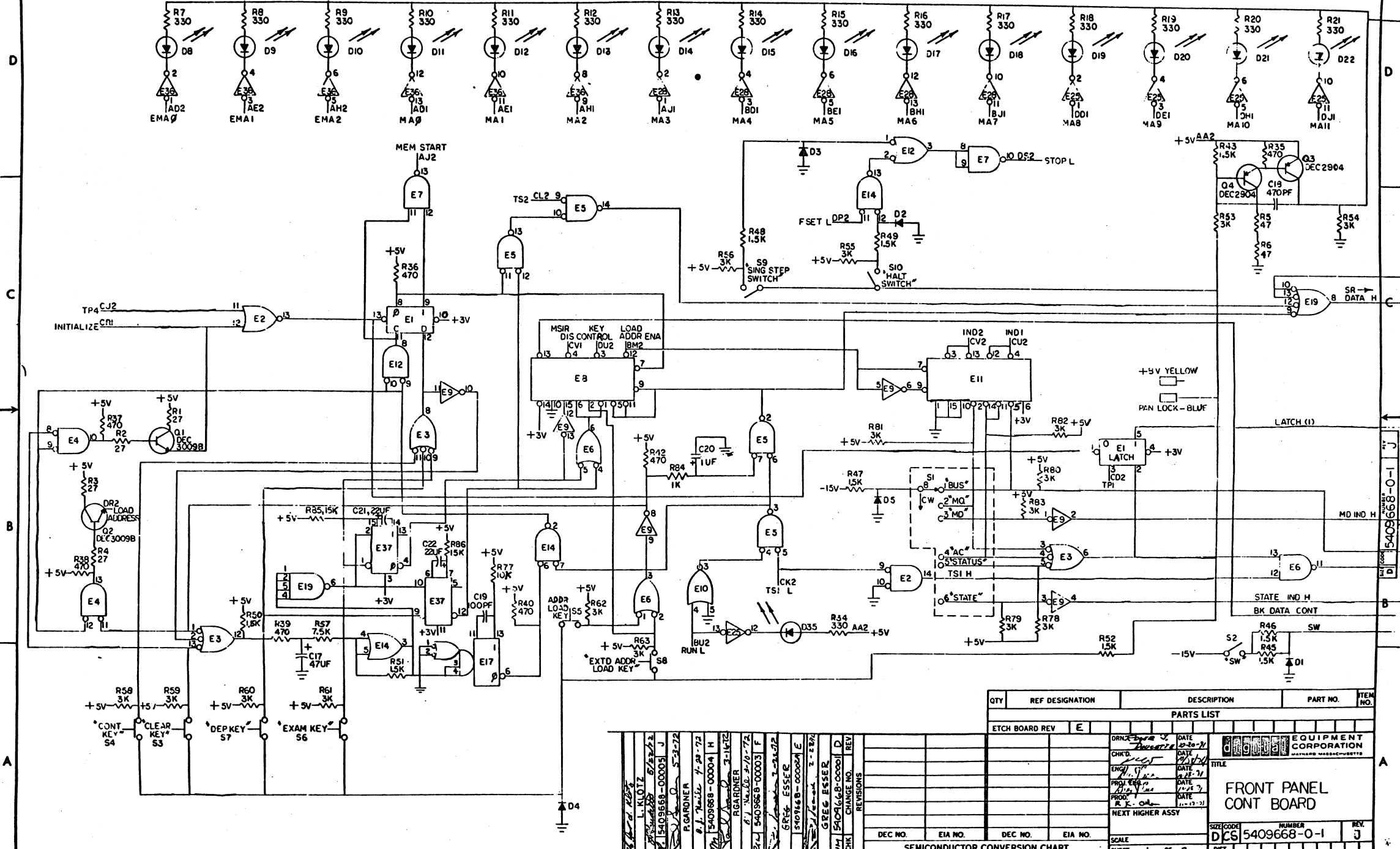
ETCH BOARD REV	DATE	BY	CHKD	DESCRIPTION
1	DEC 2 64			
2	DEC 2 64			
3	DEC 2 64			
4	DEC 2 64			
5	DEC 2 64			
6	DEC 2 64			
7	DEC 2 64			
8	DEC 2 64			
9	DEC 2 64			
10	DEC 2 64			

DEC NO	EIA NO	DEC NO	EIA NO
1	1000 B	1	1000 B
2	1000 B	2	1000 B
3	1000 B	3	1000 B
4	1000 B	4	1000 B
5	1000 B	5	1000 B
6	1000 B	6	1000 B
7	1000 B	7	1000 B
8	1000 B	8	1000 B
9	1000 B	9	1000 B
10	1000 B	10	1000 B

MEMORANDUM CONTROL CHART
 EIA 540968 0 0 J

This drawing and specifications, herein, are the property of Digital Equipment Corporation and shall not be reproduced or copied or used in whole or in part as the basis for the manufacture or sale of items without written permission.

1-0-8996095 5409668-0-1



REV	DATE	BY	CHK
1	10-20-72	DRIVE	DRIVE
2	11-12-72	CHKD.	CHKD.
3	11-12-72	ENGR.	ENGR.
4	11-27-72	PRG. MGR.	PRG. MGR.
5	11-27-72	PROD.	PROD.
6	11-27-72	REV	REV

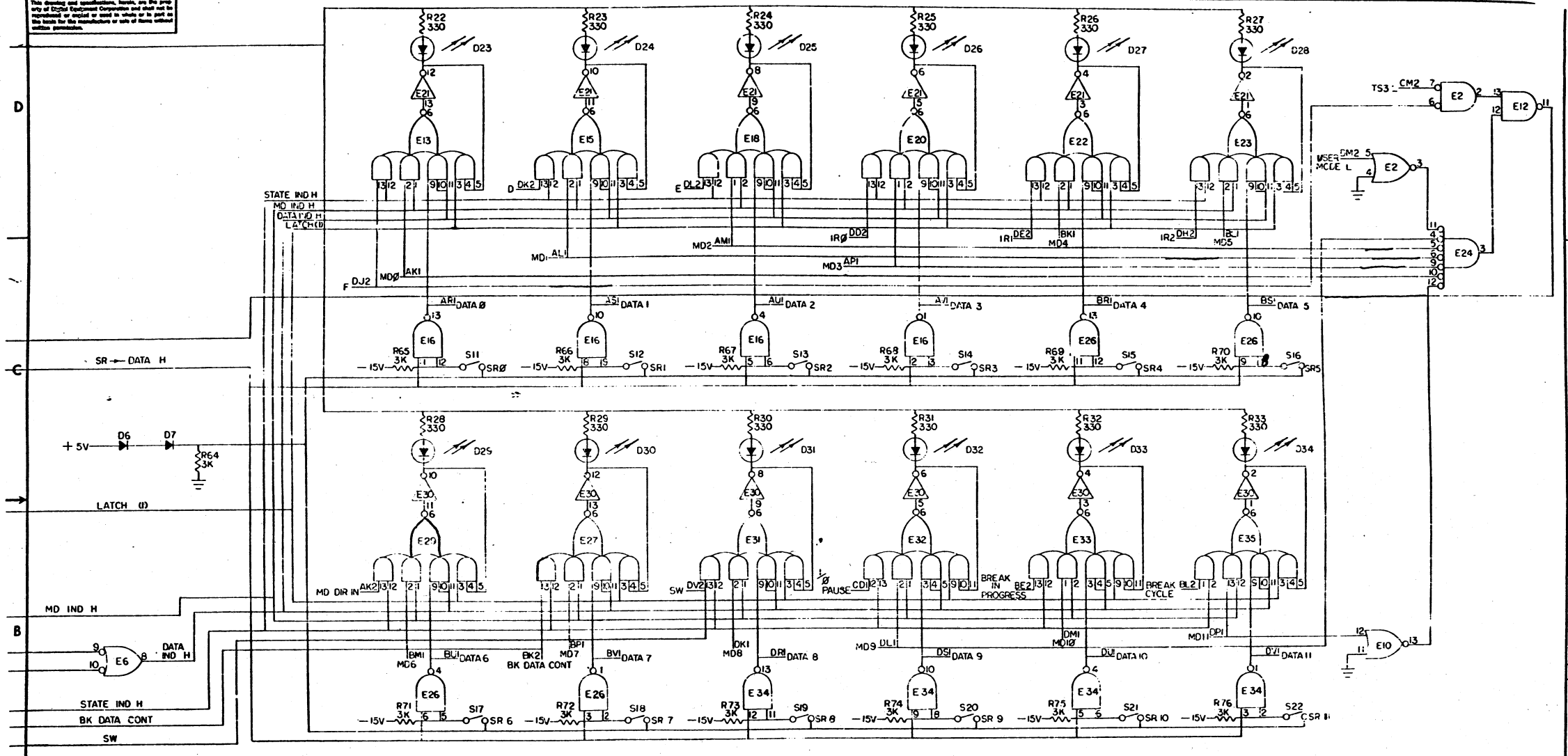
QTY	REF DESIGNATION	DESCRIPTION	PART NO.	ITEM NO.
	ETCH BOARD REV	E		

SIZE	CODE	NUMBER	REV.
D	CS	5409668-0-1	J

SEMICONDUCTOR CONVERSION CHART

DIGITAL EQUIPMENT CORPORATION
FRONT PANEL CONT BOARD
 SCALE: 1 OF 2
 DIST.

This drawing and specifications, herein, are the property of Digital Equipment Corporation and shall not be reproduced or copied in whole or in part or in any form for the manufacture or sale of items without written permission.



- UNLESS OTHERWISE INDICATED:
 CAPACITORS ARE .01UF, 100V, 20%
 DIODES ARE OSL-45 (LIGHT EMITTING)
 SWITCHES ARE SLIDE TYPE, PART NO. 12 10626
 RESISTORS ARE 3K, 1/4W, 5%
 IC'S ARE DEC 7400 = E6,E12
 " 7402 = E4
 " 7404 = E9,E21,E30
 " 7410 = E3
 " 7417 = E25,E28,E36
 " 7414 = E9
 " 74154 = E13,E15,E18,E20,E22,E24,E27,E29,E31,E32,E33,E35
 " 7474 = E1
 " 5314 = E24
 " 5380 = E2,E10
 " 5394 = E5,E14
 " 8285 = E8,E11
 " 9601 = E17
 " 97401 = E16,E26,E34,E7
 " 74123 = E37

QTY	REF DESIGNATION	DESCRIPTION	PART NO.	ITEM NO.
PARTS LIST				
ETCH BOARD REV E				
CHK CHANGE NO. REV		DRN <i>John Doherty</i> DATE 12-20-71 CHK'D <i>John Doherty</i> DATE 12-20-71 ENGR <i>John Doherty</i> DATE 12-20-71 PROJ ENGR <i>John Doherty</i> DATE 12-20-71 PRG MGR <i>John Doherty</i> DATE 12-20-71 NEXT HIGHER ASST		
DEC NO.		EIA NO.		TITLE FRONT PANEL CONT BOARD
DEC NO.		EIA NO.		SIZE CODE DCS 5409668-0-1
SCALE		SHEET		NUMBER 5409668-0-1
SHEET 2		OF 2		REV. J

SEMICONDUCTOR CONVERSION CHART

5409668-0-1 J