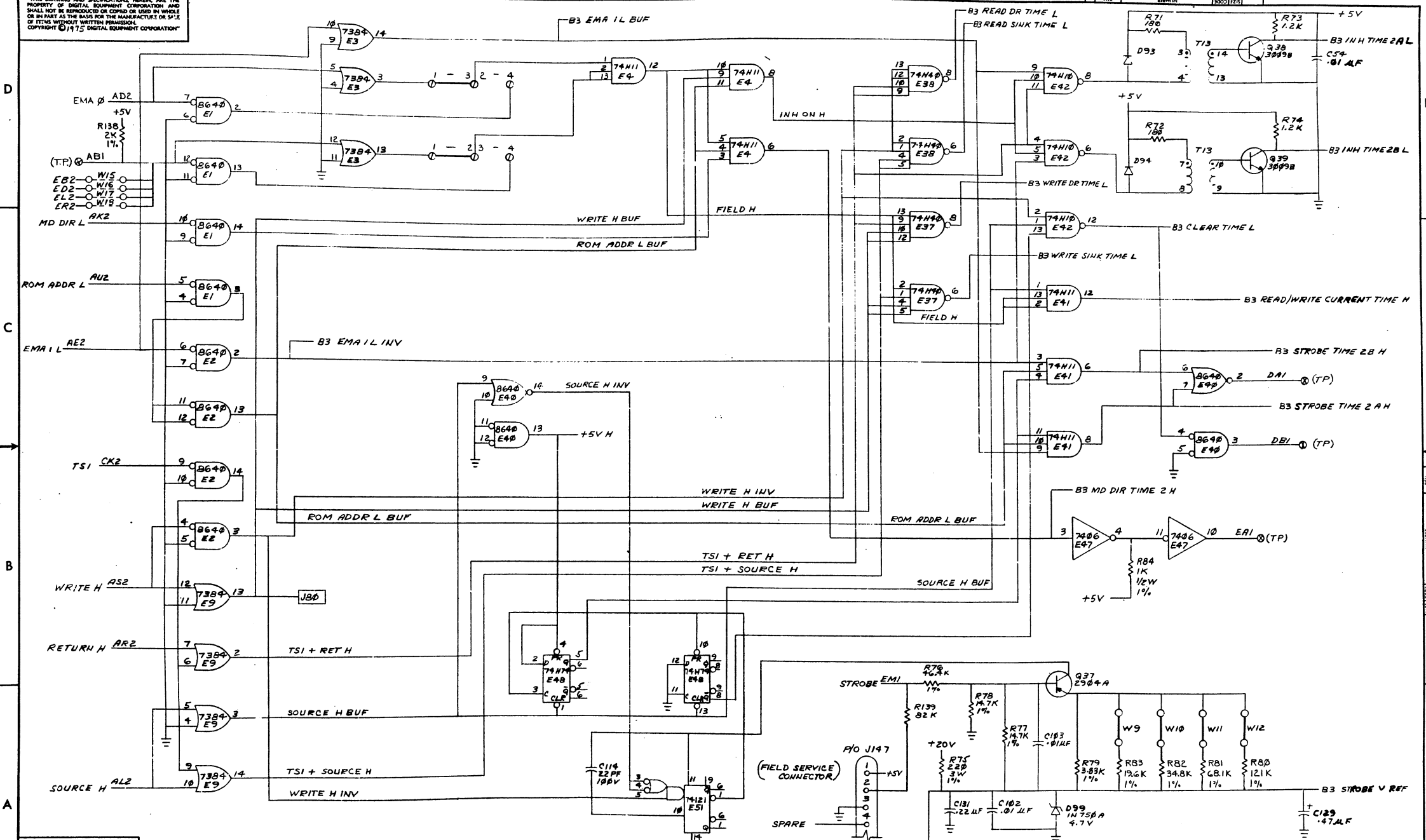


"THIS DRAWING AND SPECIFICATIONS, HEREIN, ARE THE PROPERTY OF DIGITAL EQUIPMENT CORPORATION AND SHALL NOT BE REPRODUCED OR COPIED OR USED IN WHOLE OR IN PART AS THE BASIS FOR THE MANUFACTURE OR SALE OF ITEMS WITHOUT WRITTEN PERMISSION. COPYRIGHT © 1975 DIGITAL EQUIPMENT CORPORATION"

1-0-0999 2



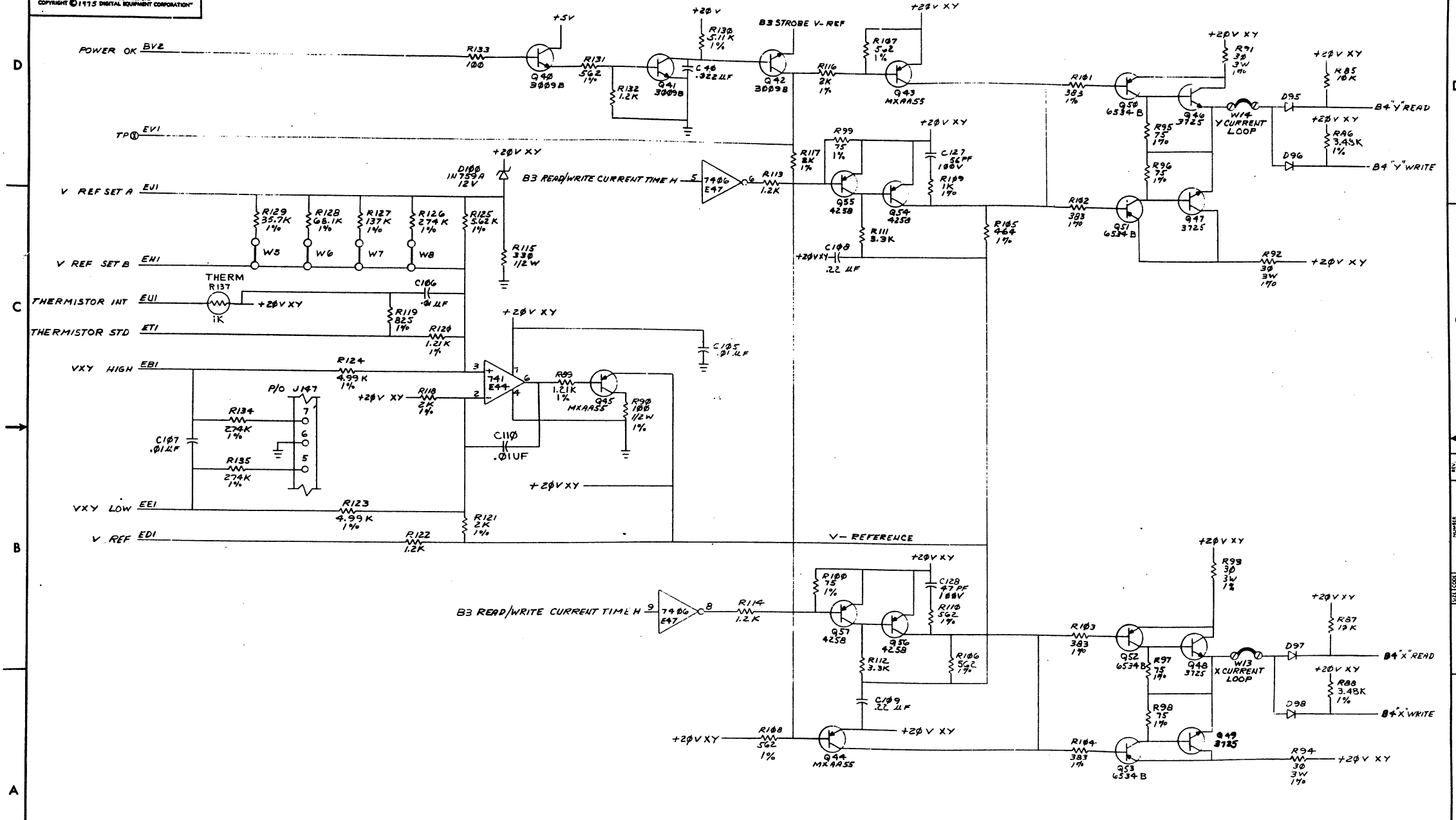
REVISIONS		
CHK	CHANGE NO.	REV.

TITLE		16K, 12 BIT BASE BOARD (B3)		SIZE CODE	NUMBER	REV.
SCALE		SHEET 2 OF 11		DIST.	DCS 6650-0-1	F

DCS 6650-0-1

THIS DRAWING AND SPECIFICATIONS, HEREIN, ARE THE PROPERTY OF DIGITAL EQUIPMENT CORPORATION AND SHALL NOT BE REPRODUCED OR COPIED OR USED IN WHOLE OR IN PART AS THE BASIS FOR THE MANUFACTURE OR SALE OF ITEMS WITHOUT WRITTEN PERMISSION. COPYRIGHT © 1975 DIGITAL EQUIPMENT CORPORATION

1-0559 SCD 2



REVISIONS		
CHK	CHANGE NO.	REV.

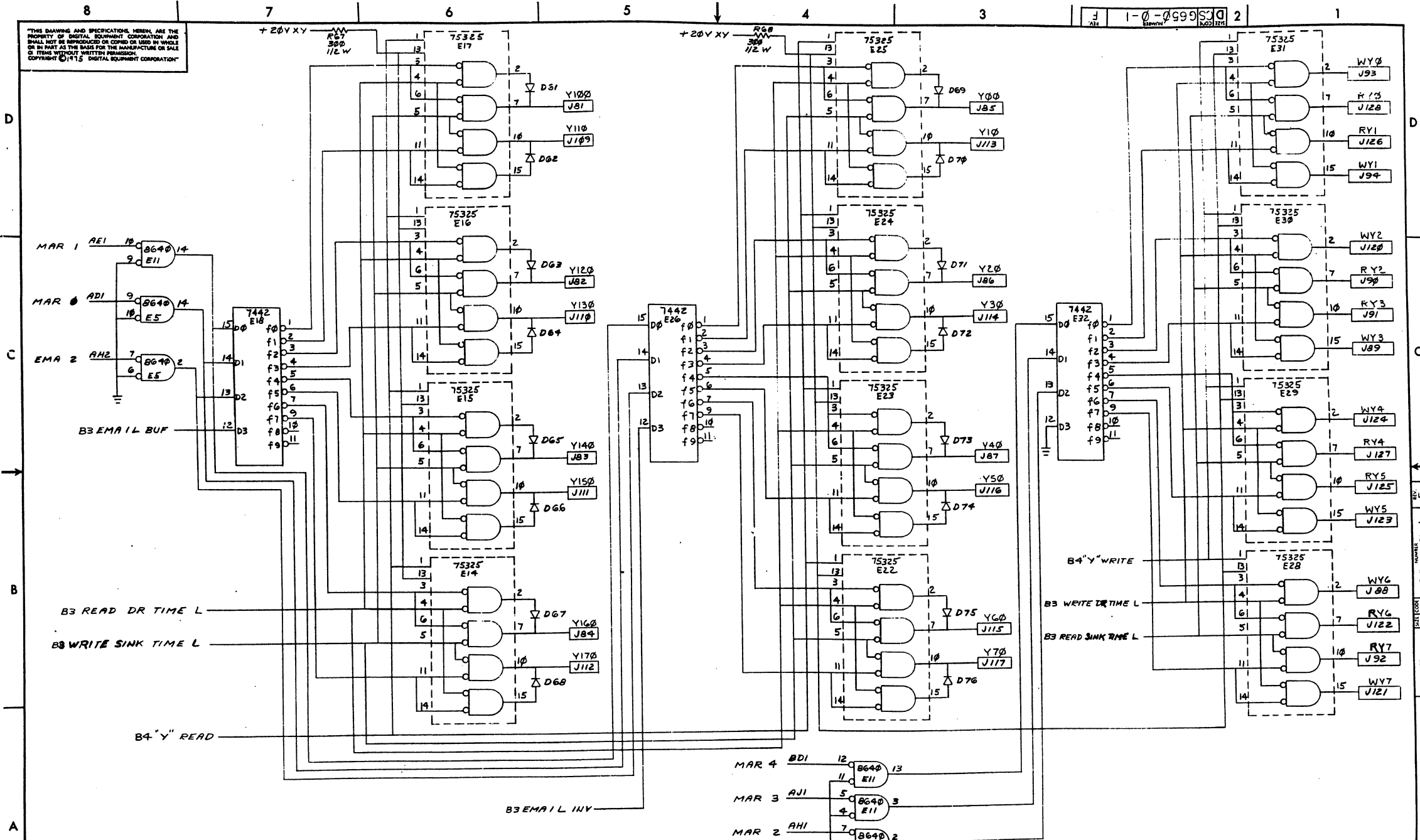
(CURRENT & CONTRL)

TITLE	SIZE	CODE	NUMBER	REV.
16K, 12 BIT BASE BOARD (B4)	D	CS	6650-0-1	F
SCALE	SHEET	OF	DIST.	
	7	3 OF 11		

DCS 6650-0-1

"THIS DRAWING AND SPECIFICATIONS HEREIN ARE THE PROPERTY OF DIGITAL EQUIPMENT CORPORATION AND SHALL NOT BE REPRODUCED OR COPIED OR USED IN WHOLE OR IN PART AS THE BASIS FOR THE MANUFACTURE OR SALE OF ITEMS WITHOUT WRITTEN PERMISSION. COPYRIGHT © 1975 DIGITAL EQUIPMENT CORPORATION"

1-0-099500



REVISIONS		
CHK	CHANGE NO.	REV.

TITLE		16K, 12 BIT BASE BOARD		(B6) SIZE CODE	NUMBER	REV.
SCALE		SHEET 5 OF 11		DIST.	D E S I G N	F