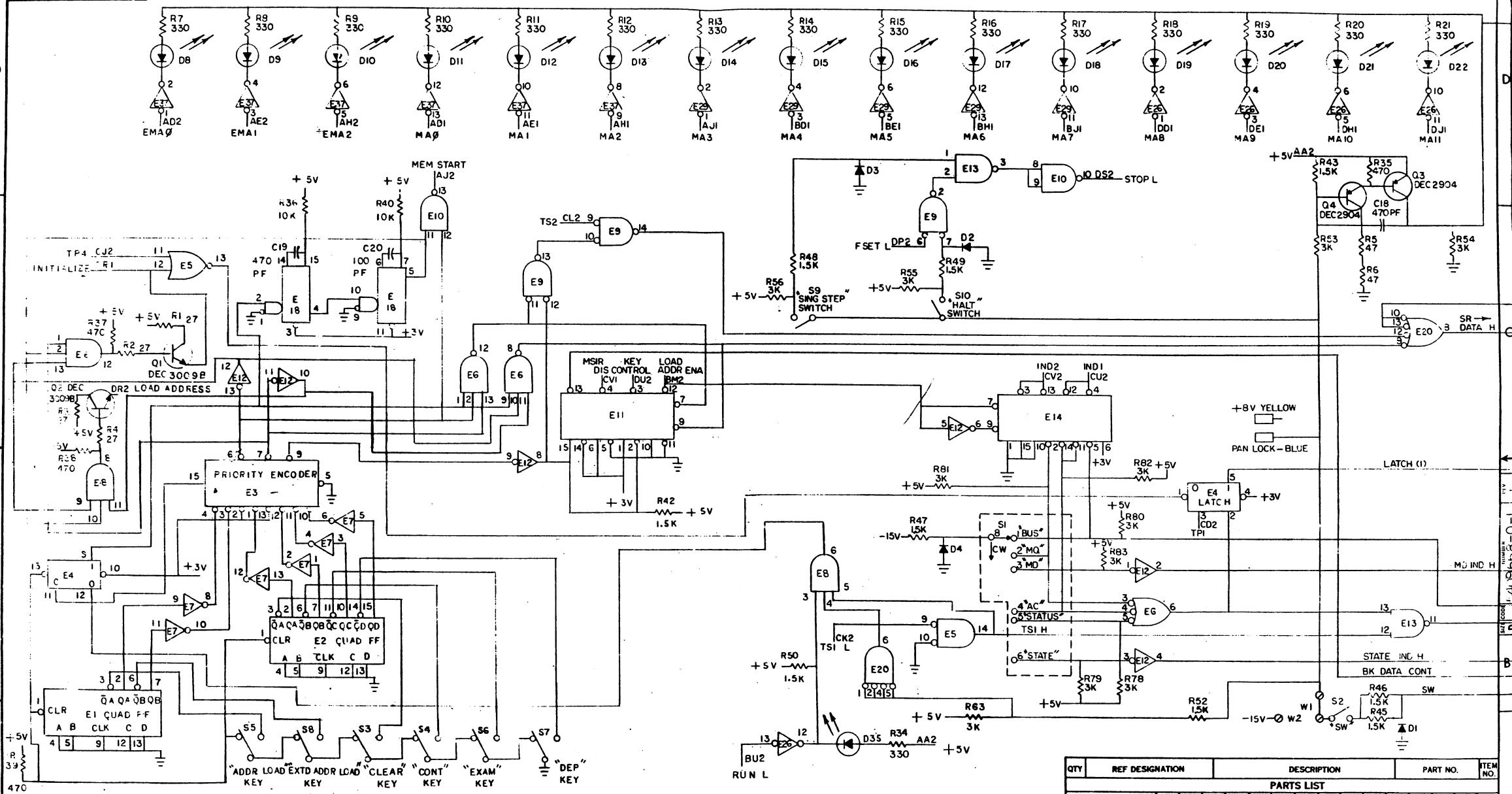


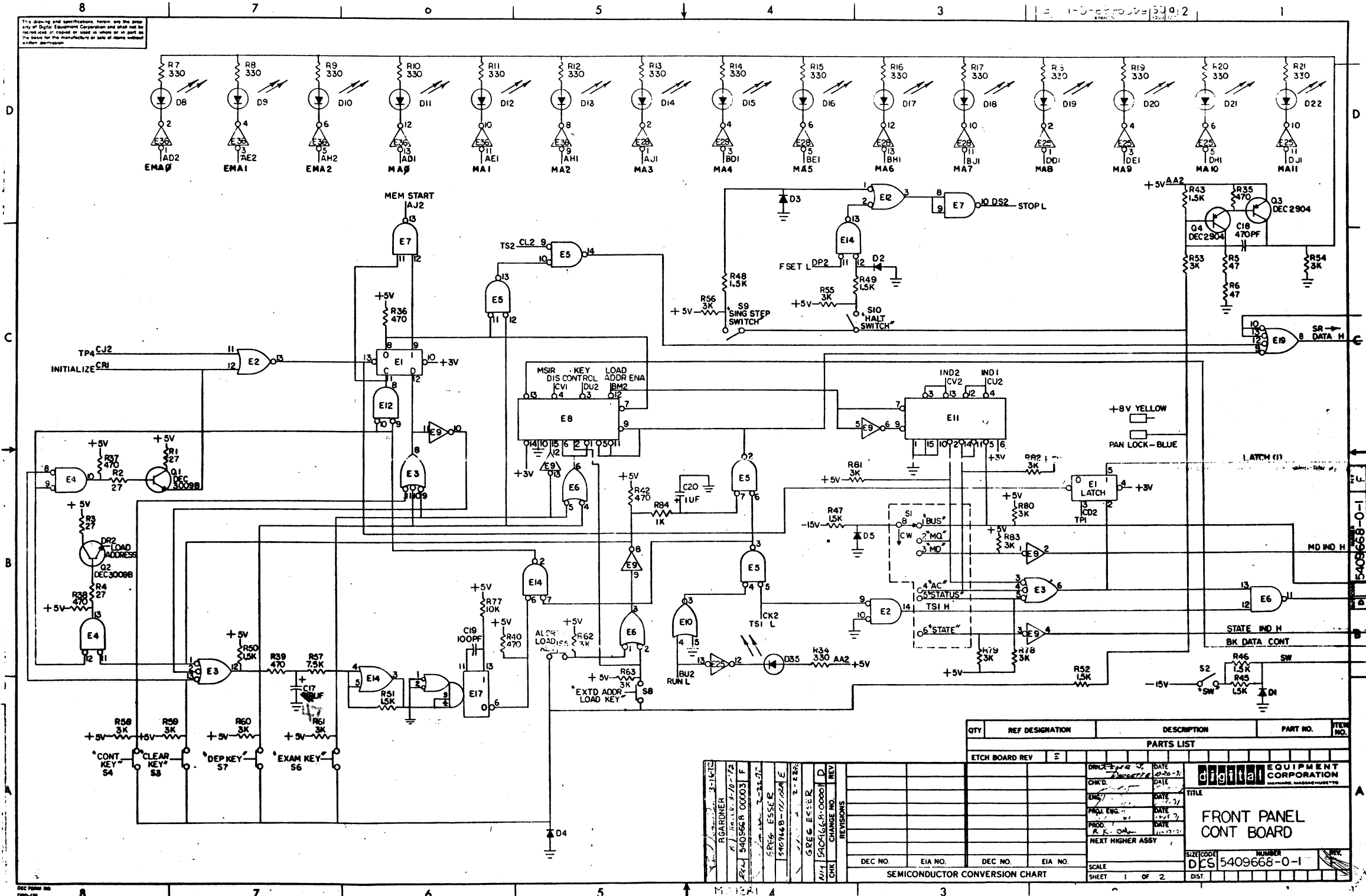
This drawing and components, herein, are the property of Digital Equipment Corporation and shall not be reproduced or used in whole or in part for the manufacture of any of their products without permission.

1-0-0-1 DCS 5409668-8



QTY	REF DESIGNATION	DESCRIPTION	PART NO.	ITEM NO.
PARTS LIST				
ETCH BOARD REV F				
FRONT PANEL CONT BOARD				
DEC NO.		EIA NO.		REV. L
SEMICONDUCTOR CONVERSION CHART				
SHEET 1 OF 2				

This drawing and specifications, herein, are the property of Digital Equipment Corporation and shall not be reproduced or copied or used in whole or in part as the basis for the manufacture or sale of items without written permission.



QTY	REF DESIGNATION	DESCRIPTION	PART NO.	ITEM NO.
PARTS LIST				
ETCH BOARD REV E				
digital EQUIPMENT CORPORATION <small>MASSACHUSETTS</small>				
FRONT PANEL CONT BOARD				
DEC NO.		EIA NO.		SCALE
DEC NO.		EIA NO.		SHEET 1 OF 2
SIZE CODE: DCS 5409668-0-1				

REV	DATE	BY	CHKD
1	11-10-71	GREG ESSER	GREG ESSER
2	11-10-71	GREG ESSER	GREG ESSER
3	11-10-71	GREG ESSER	GREG ESSER
4	11-10-71	GREG ESSER	GREG ESSER
5	11-10-71	GREG ESSER	GREG ESSER

REV	DATE	BY	CHKD
1	11-10-71	GREG ESSER	GREG ESSER
2	11-10-71	GREG ESSER	GREG ESSER
3	11-10-71	GREG ESSER	GREG ESSER
4	11-10-71	GREG ESSER	GREG ESSER
5	11-10-71	GREG ESSER	GREG ESSER