

DECmate™

II

Installation Guide

1st Edition, December 1982

Copyright © 1982 by Digital Equipment Corporation

All Rights Reserved

Printed in U.S.A.

The reproduction of this material, in part or whole, is strictly prohibited. For copy information, contact the Educational Services Department, Digital Equipment Corporation, Maynard, Massachusetts 01754.

The information in this document is subject to change without notice. Digital Equipment Corporation assumes no responsibility for any errors that may appear in this document.

This equipment has been certified to comply with the limits for a Class B computing device, pursuant to Subpart J of Part 15 of FCC Rules. Only peripherals (computer input/output devices, terminals, printers, etc.) certified to comply with the Class B limits may be attached to this computer. Operation with noncertified peripherals is likely to result in interference to radio or television reception.

CP/M is a registered trademark of Digital Research, Inc.

The following are trademarks of Digital Equipment Corporation, Maynard, Massachusetts.

DEC
DECmail
DECmate
DIGITAL

LA50
LA100
LQP02
digital

RX01
RX02
RX50

CONTENTS

Introduction

1	Unpacking	1
2	Installing Options in System Unit	5
3	Installing System Unit in Floor Stand	21
4	Connecting System	25
5	Turning On System	35
6	Using System Overview Diskette	41

INTRODUCTION

This guide contains instructions for installing a DECmate II with these options:

- Floor stand
- CP/M board
- Second RX50 diskette drive

If other options are purchased in the future, use the guides that come with the options.

Follow the steps in sequence. It should take about 30 minutes to install the system.

If you find damage or that parts are missing while unpacking, call your distributor or delivery agent.

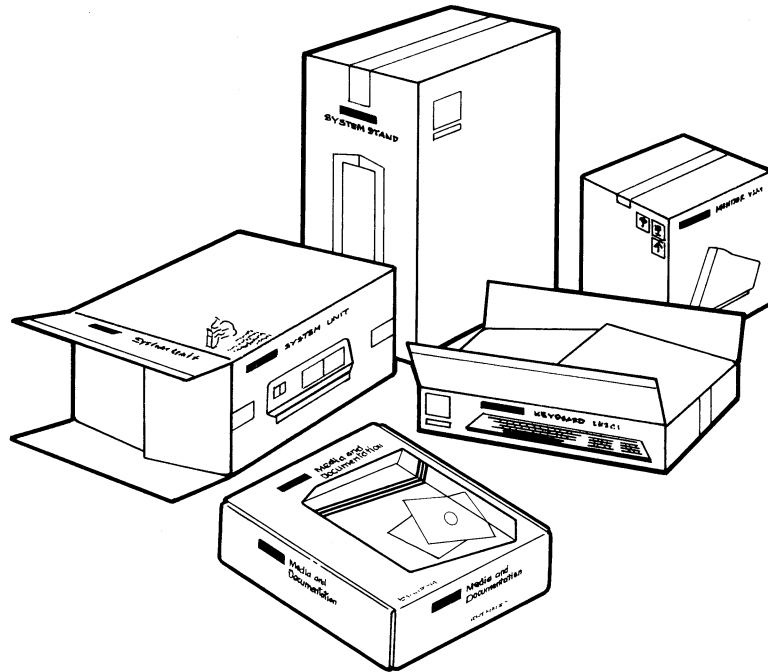
If you need help at any time, call 800-241-6580.

Keep this manual for disassembly and reassembly. Save the cartons and cardboard inserts in case you need to return an item for any reason.

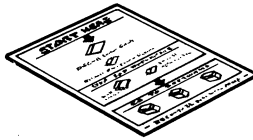
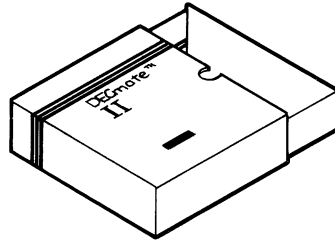
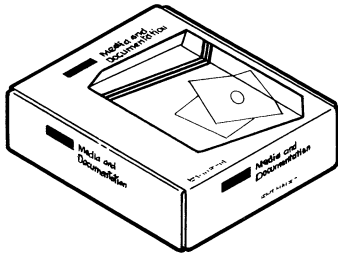
CAUTION: Do not plug in power cord until you are so directed.

1

UNPACKING



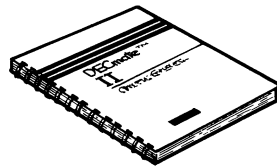
Unpack books and diskettes.



DOCUMENTATION MAP



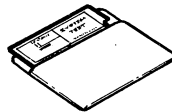
THIS GUIDE



OWNER'S MANUAL

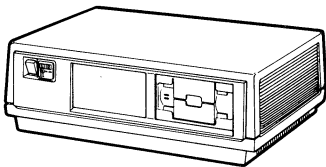
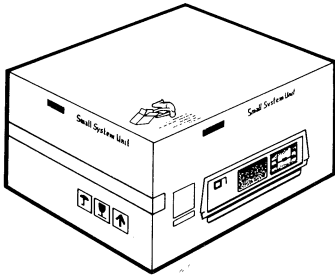


SYSTEM OVERVIEW DISKETTE

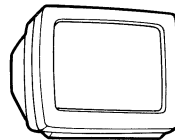
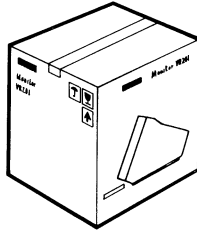


SYSTEM TEST DISKETTE

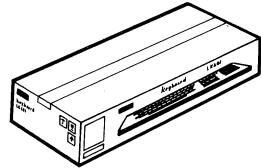
Unpack basic system.



SYSTEM UNIT



VIDEO MONITOR



KEYBOARD



VIDEO MONITOR CABLE



KEYBOARD CABLE



PRINTER CABLE



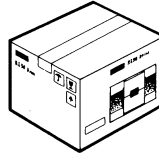
POWER CORD

Identify remaining cartons.

Go to page 5 if you have these options.

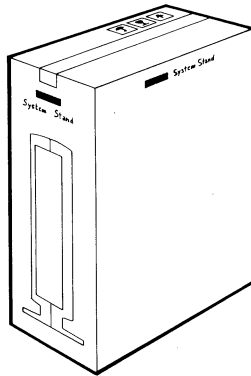


CP/M BOARD



RX50 DISKETTE DRIVE

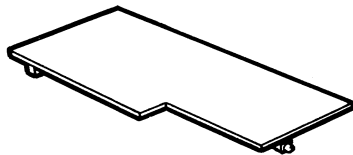
Go to page 21 if you have the floor stand.



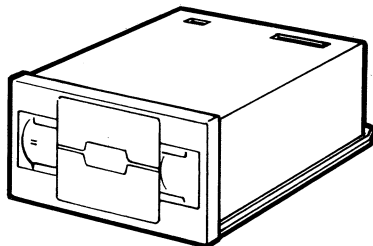
FLOOR STAND

Go to page 25 if you have no more cartons.

INSTALLING OPTIONS IN SYSTEM UNIT



CP/M BOARD

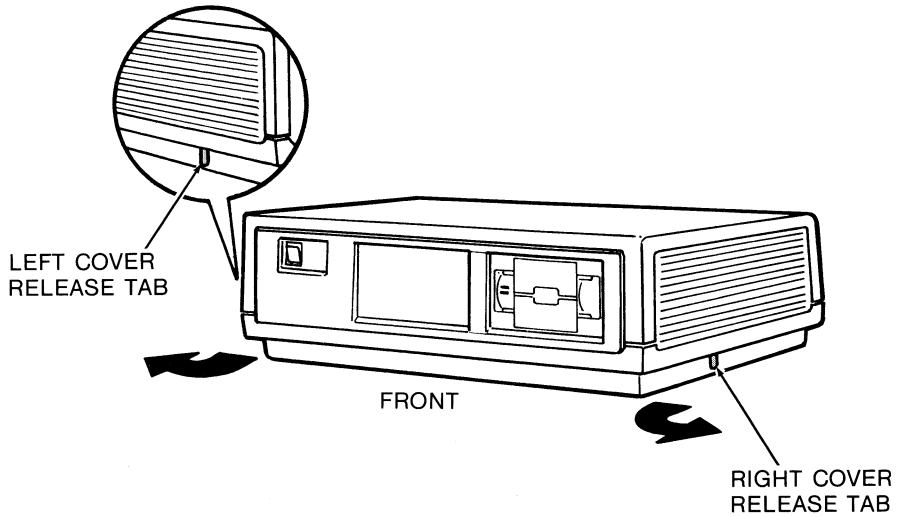


SECOND RX50 DISKETTE DRIVE

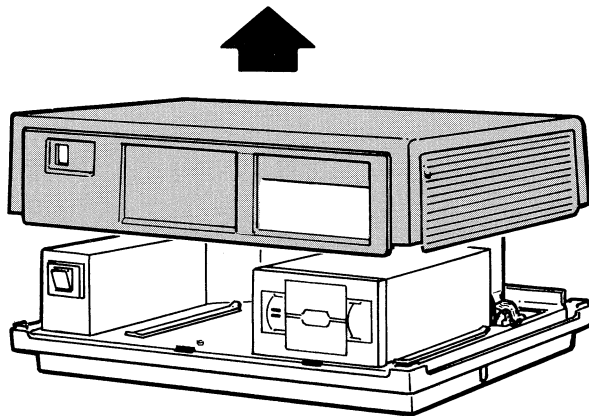
Go to page 21 if you do not have these options.

Remove top cover from system unit.

- 1 Locate cover release tabs.
- 2 Slide tabs forward and out.

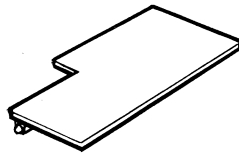
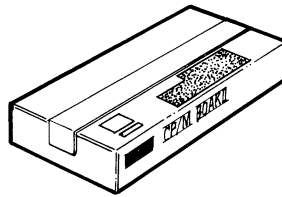


- 3 Lift cover straight up and put aside.



Unpack board.

Put aside board installation guide. Its instructions are duplicated in this guide.



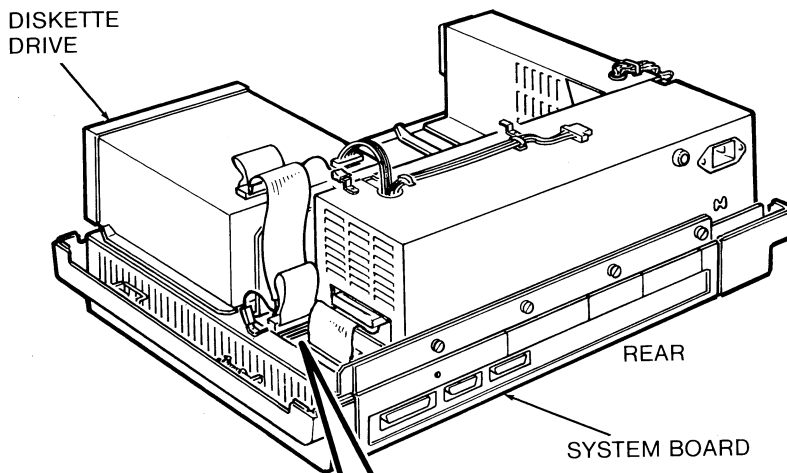
CP/M BOARD



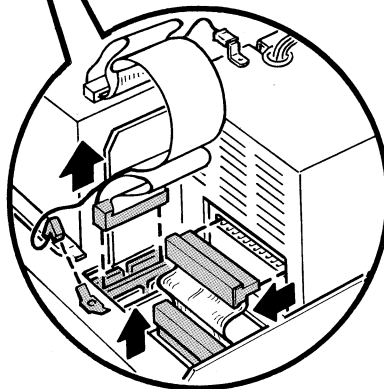
INSTALLATION GUIDE

Go to page 14 if you do not have a board.

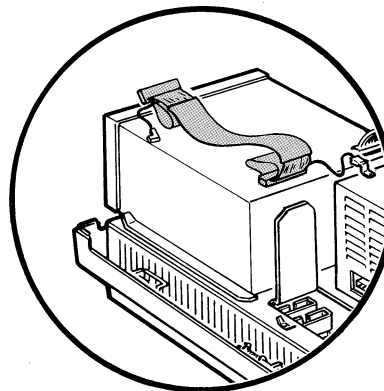
Disconnect two cables from system board.



- 1 Disconnect cables and ground wire as shown.

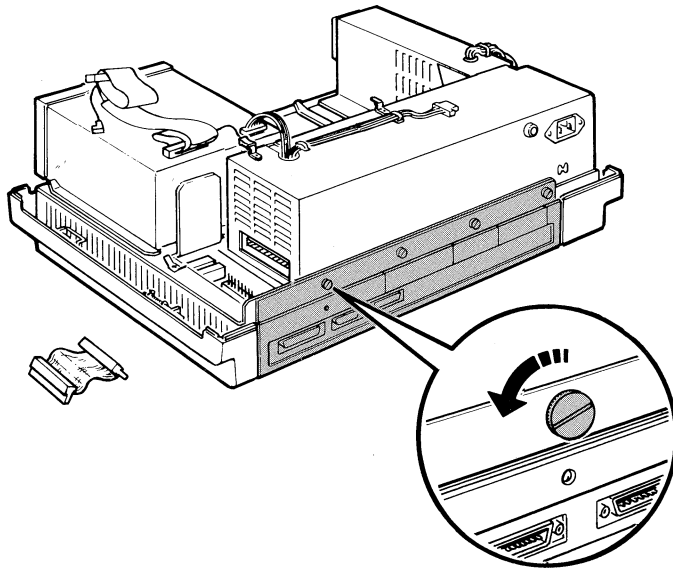


- 2 Place long flat cable on top of diskette drive.

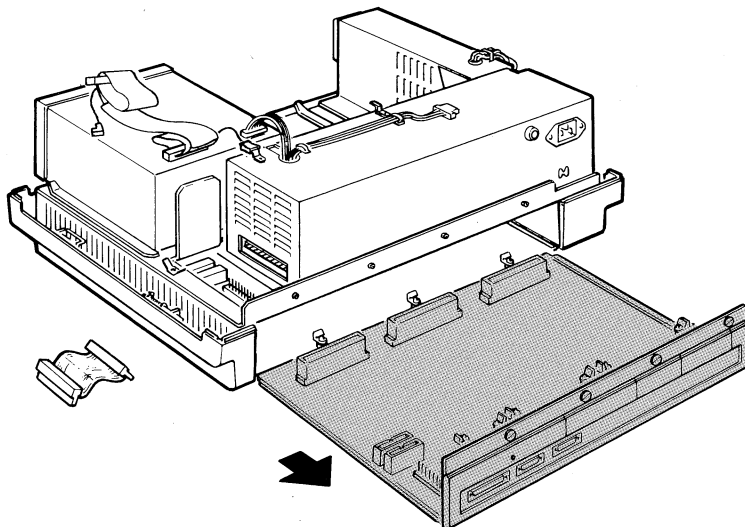


Remove system board.

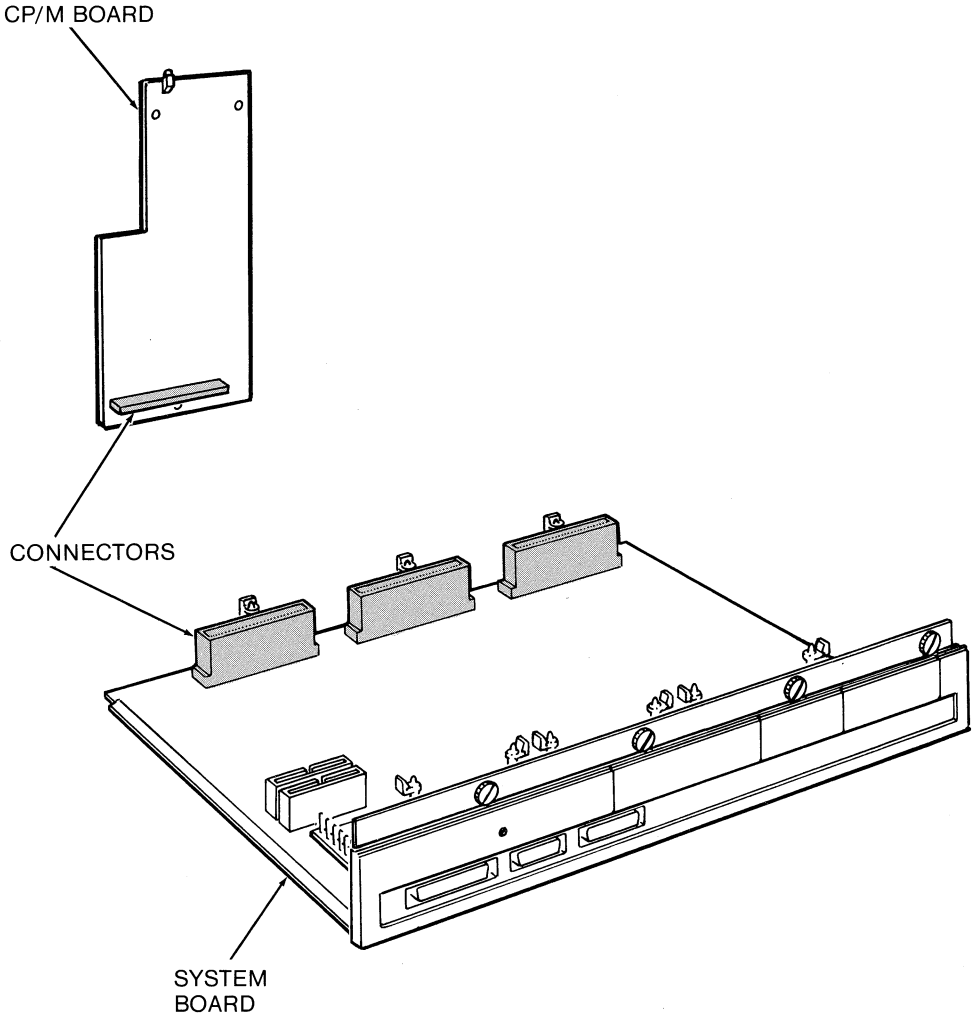
- 1 Partially loosen four thumbscrews.
- 2 Disengage thumbscrews.



- 3 Pull system board straight out.

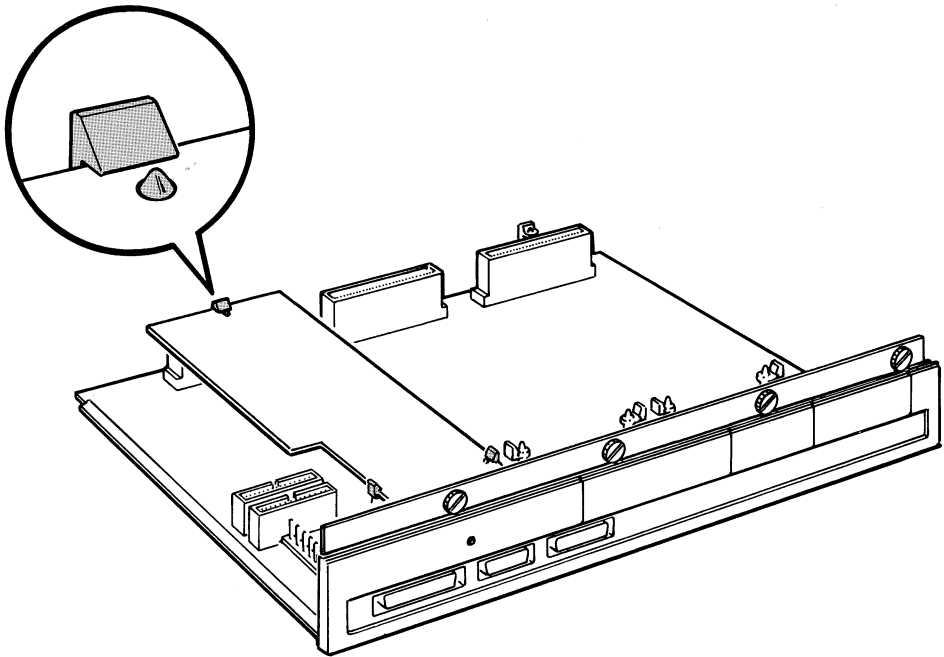


Locate connectors on system board and CP/M board.



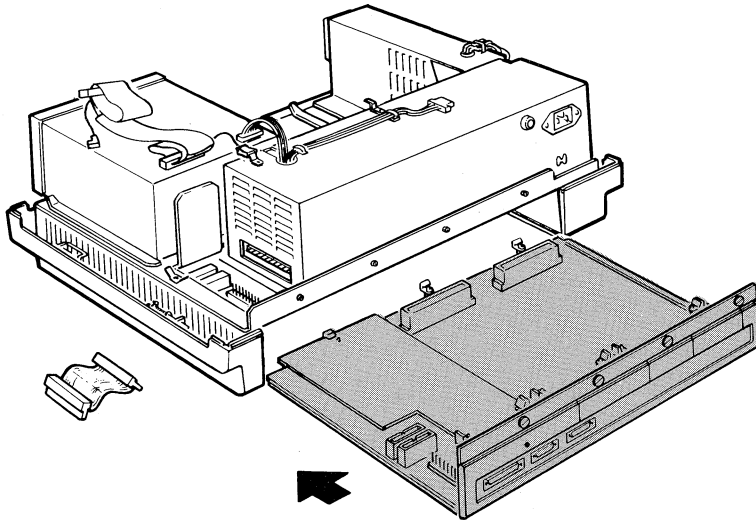
Mount CP/M board on system board.

- 1 Align connectors.
- 2 Push in firmly and snap in place.



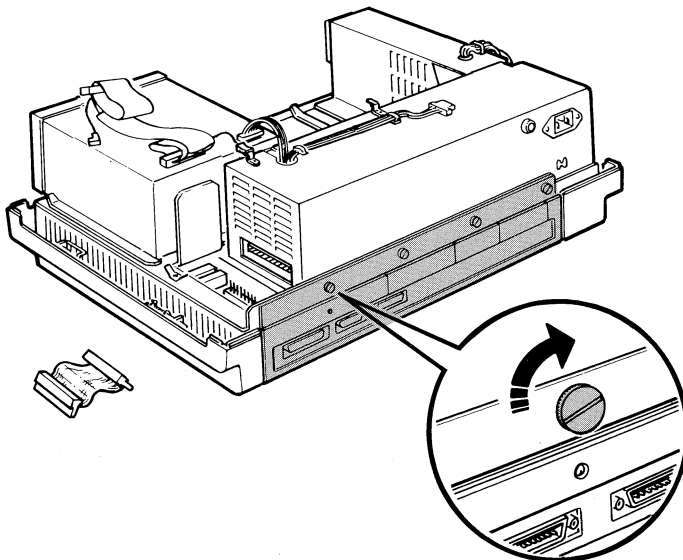
Reinstall system board with mounted board.

1 Slide system board straight in.



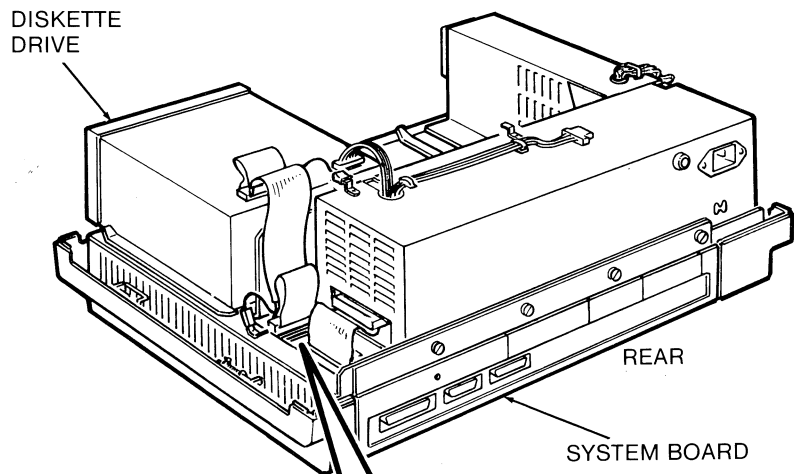
2 Partially tighten four thumbscrews.

3 Tighten thumbscrews.

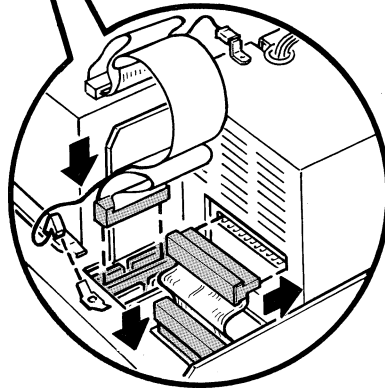


Reconnect two cables to system board.

CAUTION: Connect RX50 cable to the correct system board connector to avoid system damage.

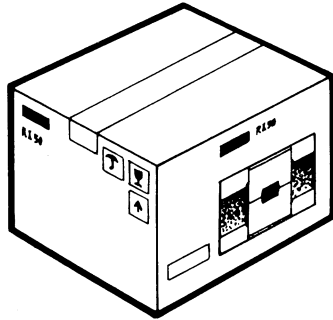


- 1 Reconnect cables and ground wire as shown.
- 2 Push in connectors until firmly seated.

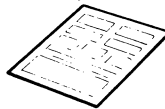


Unpack RX50 diskette drive.

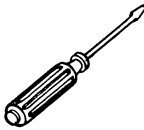
Put aside diskette drive installation guide. Its instructions are duplicated in this guide.



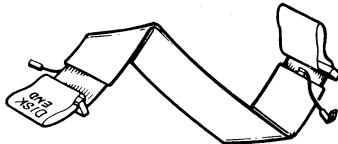
THIS GUIDE



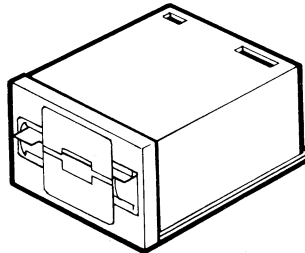
LABELS



SCREWDRIVER



FLAT CABLE

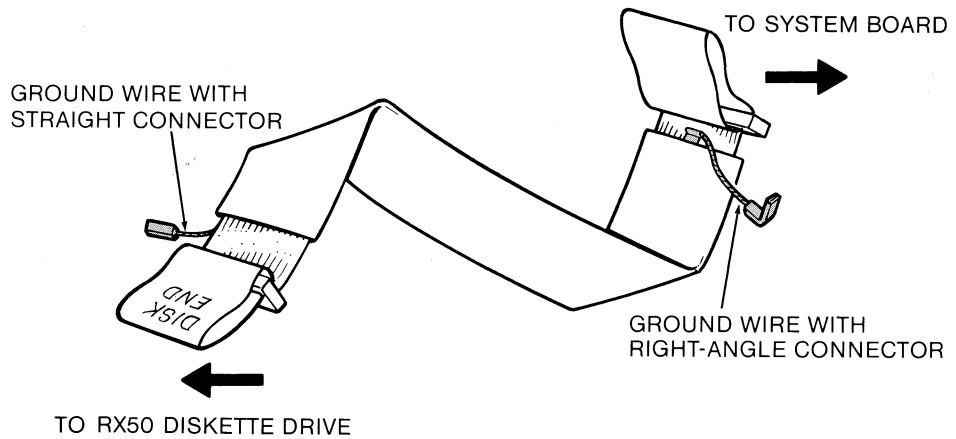


RX50 DISKETTE DRIVE

Go to page 19 if you do not have this drive.

Orient connectors on flat cable.

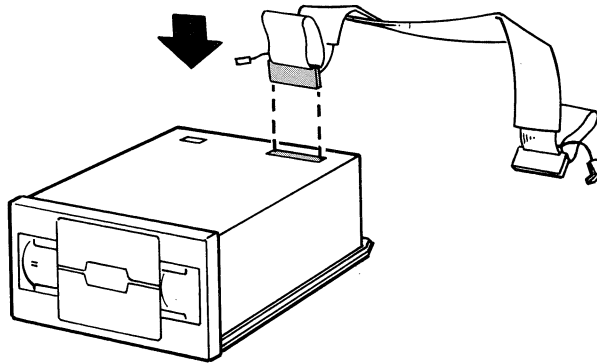
The end of cable with straight ground wire connector goes into diskette drive.



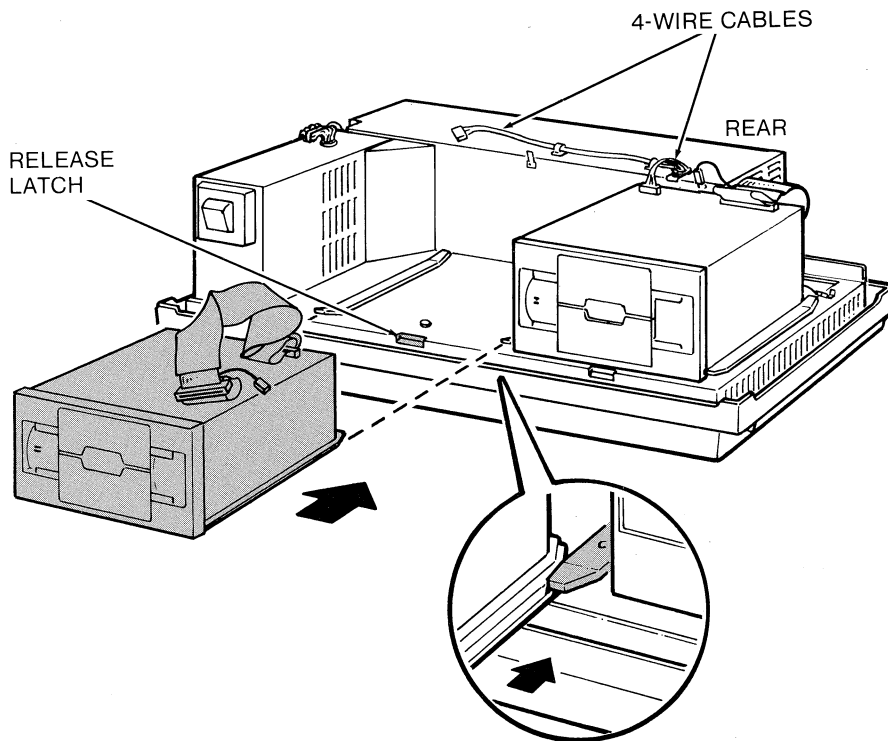
MA-10,330

Install RX50 diskette drive.

- 1 Connect end of flat cable that has straight ground wire connector to drive.

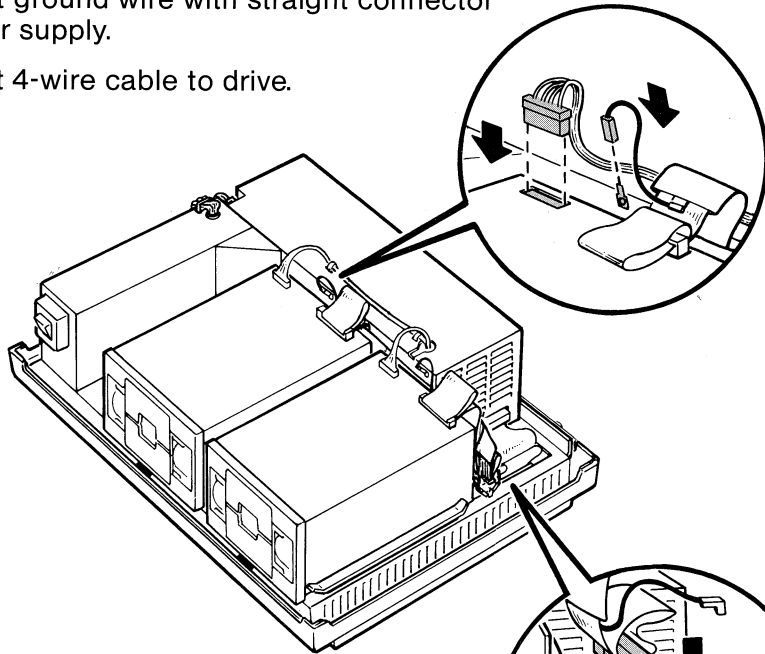


- 2 Slide drive along tracks until latch clicks.

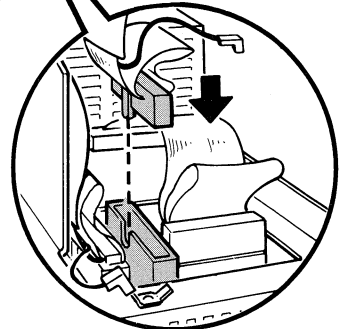


Connect cables.

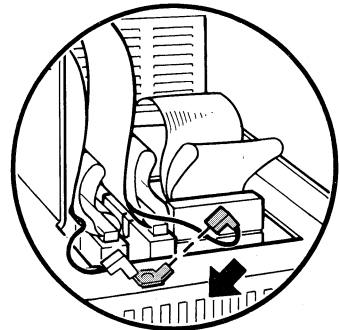
- 1 Connect ground wire with straight connector to power supply.
- 2 Connect 4-wire cable to drive.



- 3 Connect other end of flat cable to system board. Tuck cable behind drive.

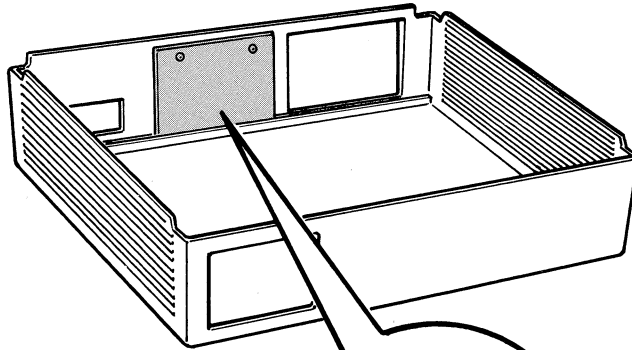


- 4 Connect ground wire with right-angle connector to system unit.
- 5 Push in all connectors until firmly seated.

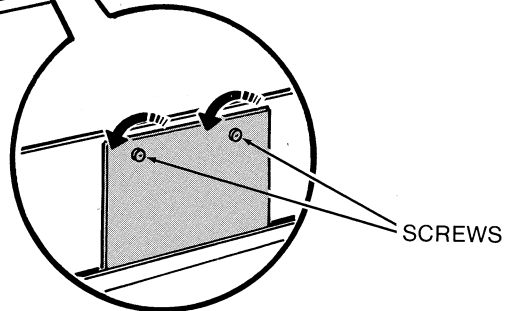


Remove panel from system unit cover.

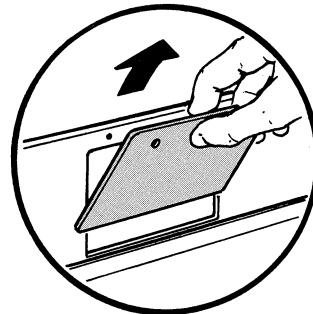
1 Place cover upside down.



2 Remove two screws.



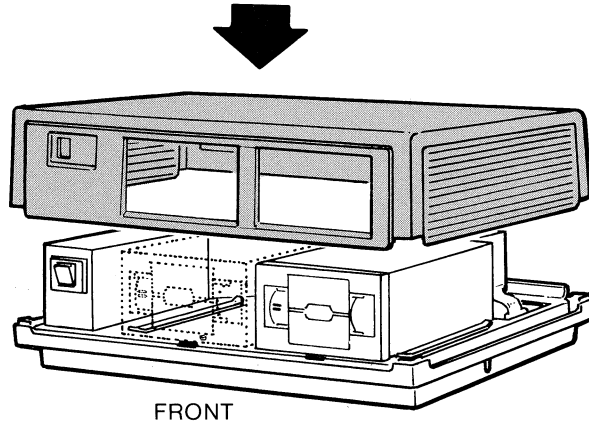
3 Remove panel and discard.



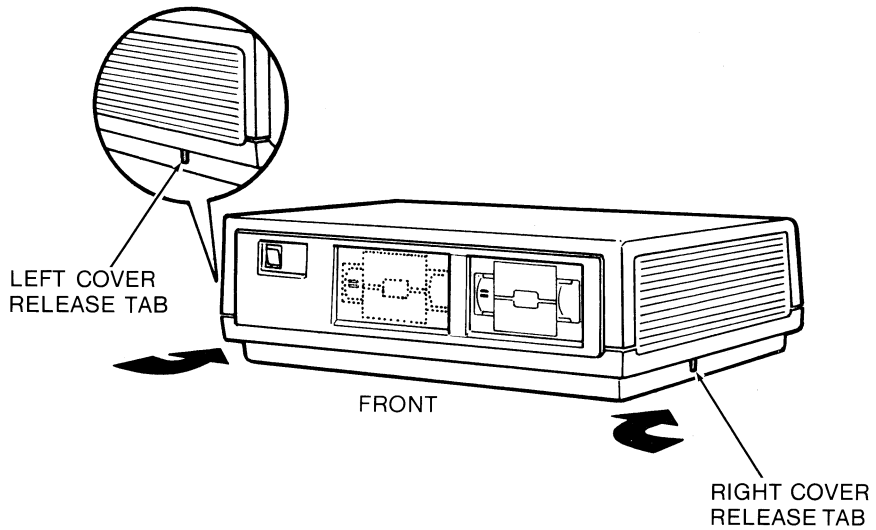
Reinstall system unit cover.

CAUTION: Make sure cover is securely locked.

- 1 Position cover on system unit.

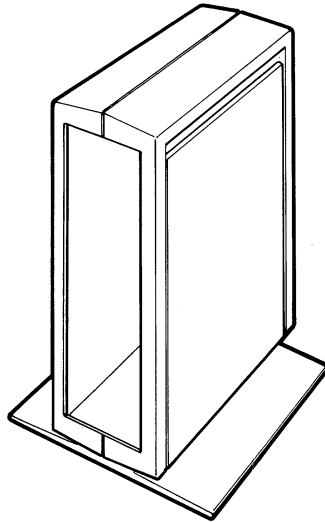


- 2 Release tabs on each side so that they spring back.



3

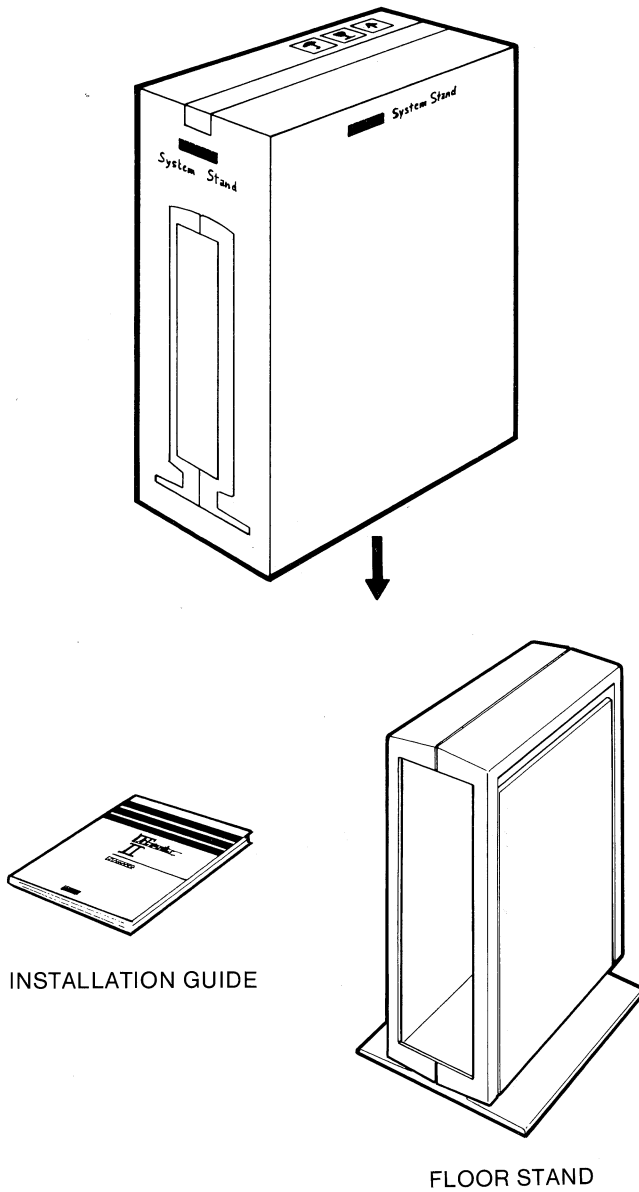
INSTALLING SYSTEM UNIT IN FLOOR STAND



Go to page 25 if you do not have this stand.

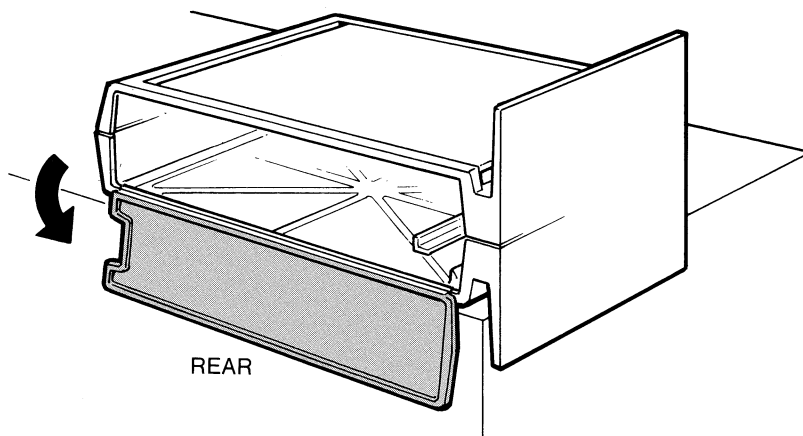
Unpack floor stand.

Put aside floor stand installation guide. Its instructions are duplicated in this guide.

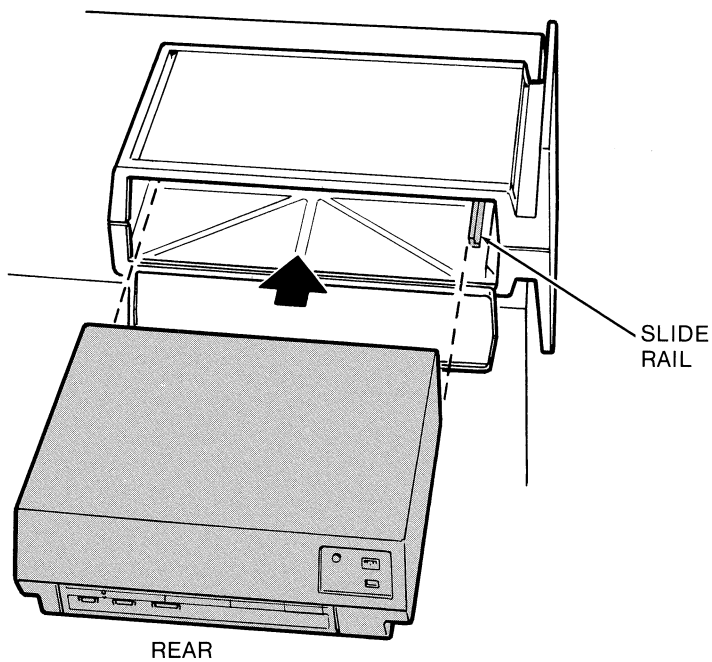


Install system unit in floor stand.

- 1 Place stand on corner of a desk as shown.
- 2 Open door and leave stand in this position.

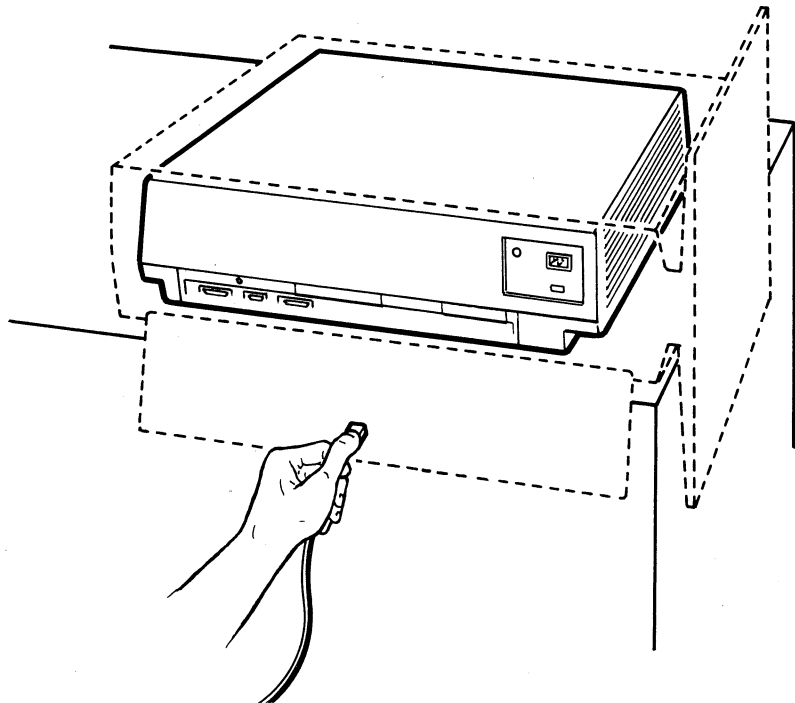


- 3 Position system unit to far left and slide all the way inside stand.



4

CONNECTING SYSTEM



Identify cables.

BASIC SYSTEM CABLES



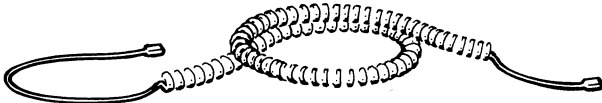
POWER CORD (USA)



VIDEO MONITOR CABLE

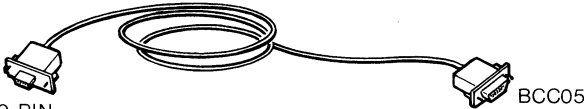
15-PIN

BCC02



KEYBOARD CABLE

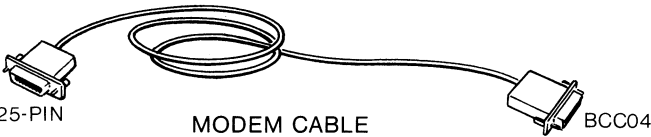
OPTION CABLES



PRINTER CABLE

9-PIN

BCC05



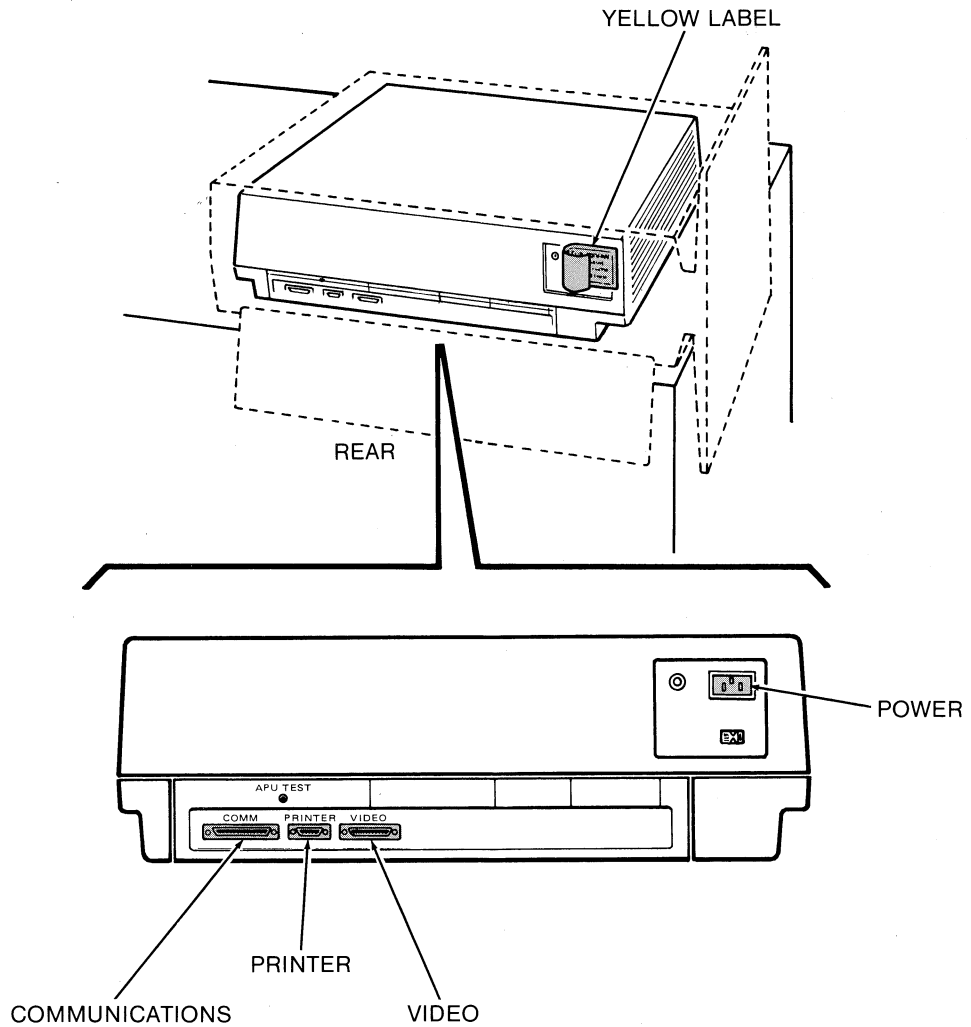
MODEM CABLE

25-PIN

BCC04

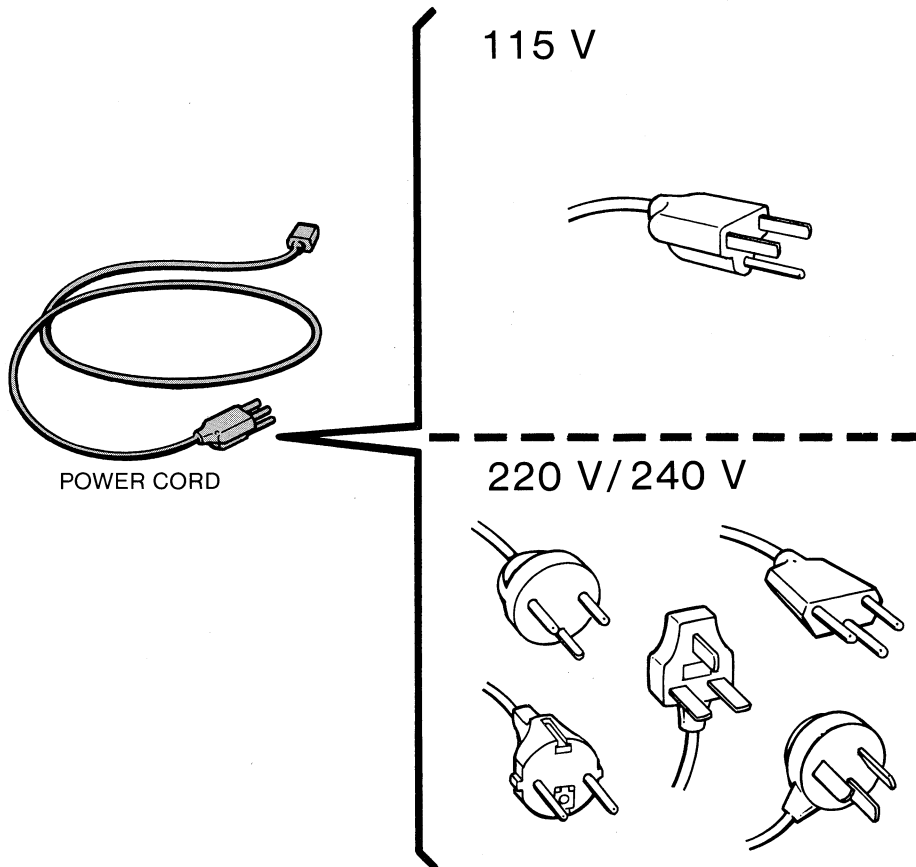
Identify connectors on system unit.

Read and remove yellow label.



Locate power cord.

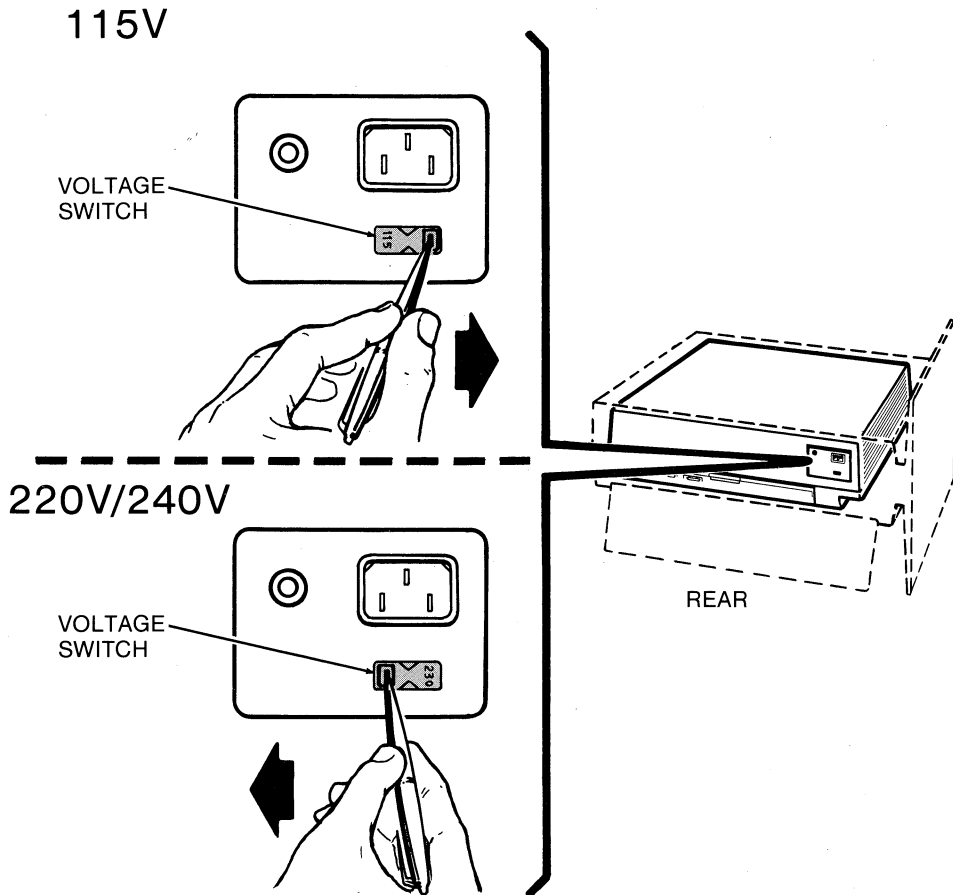
- 1 Examine plug.
- 2 Determine power cord voltage.
- 3 Put aside power cord.



Set voltage switch.

Slide voltage switch to match power cord voltage.

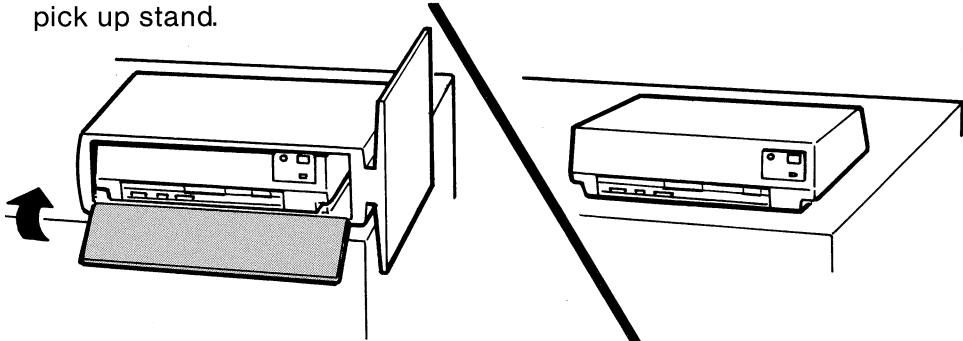
CAUTION: Incorrect voltage setting can damage your system.



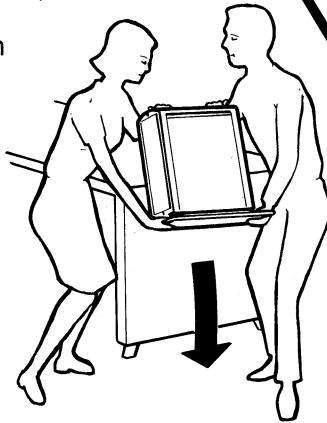
Move system unit to chosen location.

CAUTION: This procedure requires two people.

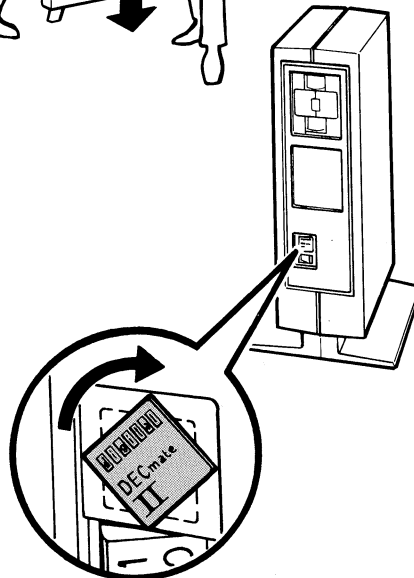
- 1 Close door before you pick up stand.



- 2 Place stand in chosen location.

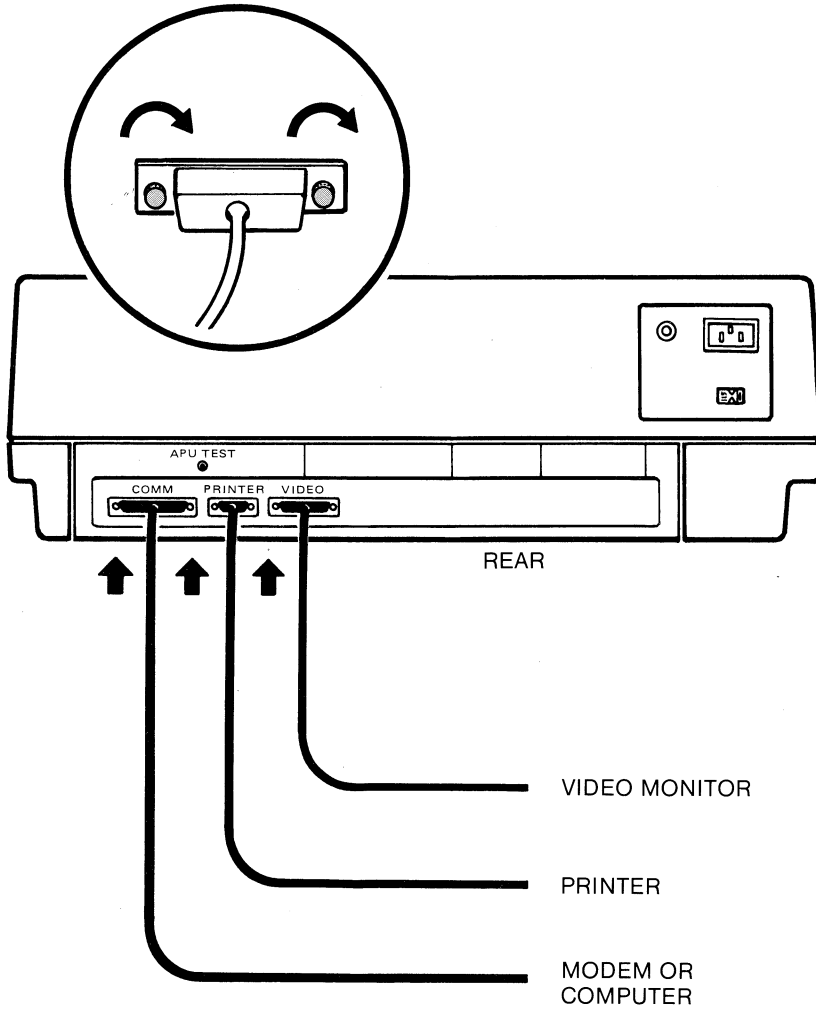


- 3 Pull out and turn logo.

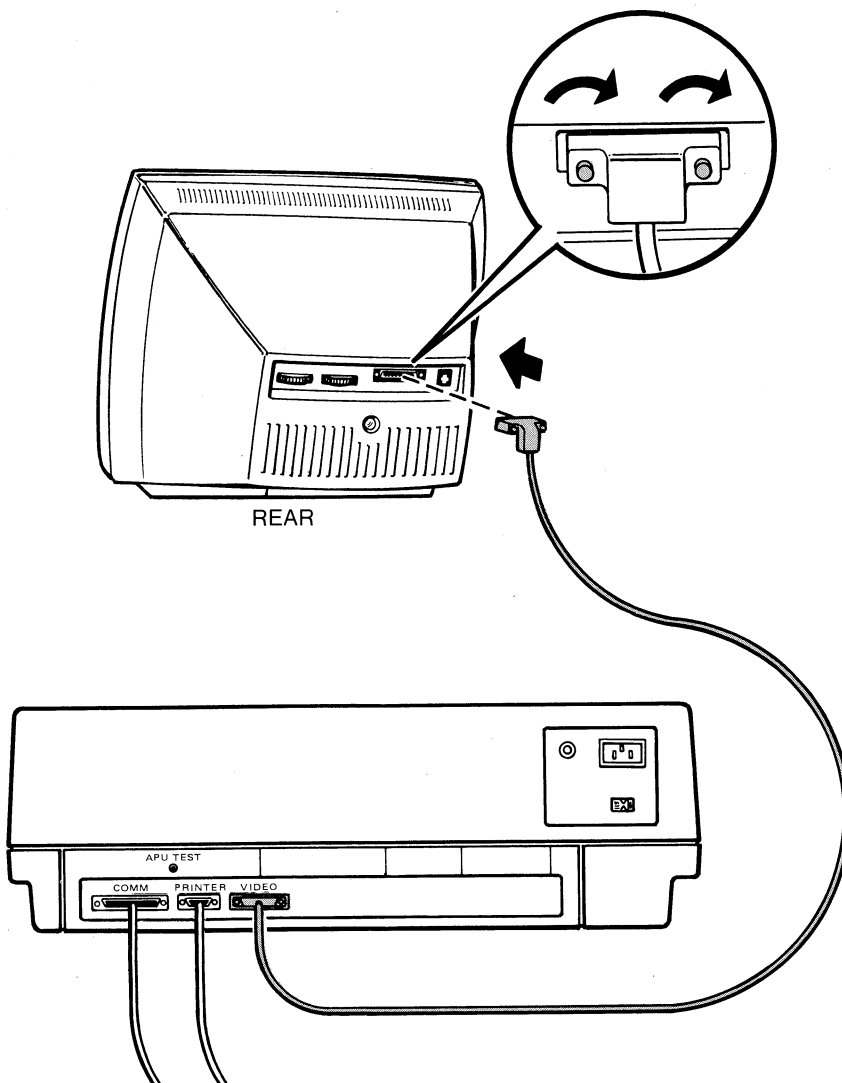


Connect cables to system unit.

Secure connectors by turning screws clockwise.

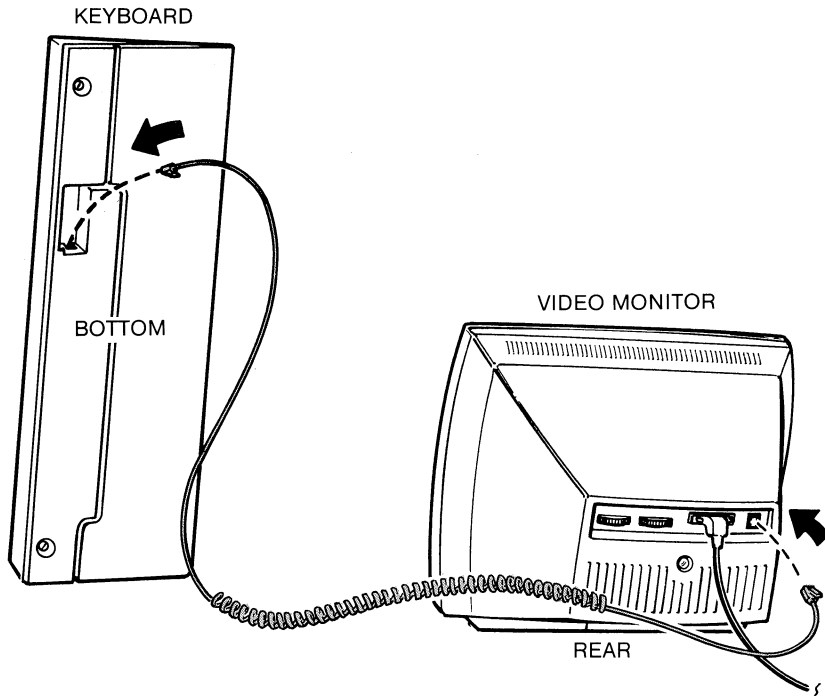


Connect video monitor cable to video monitor.

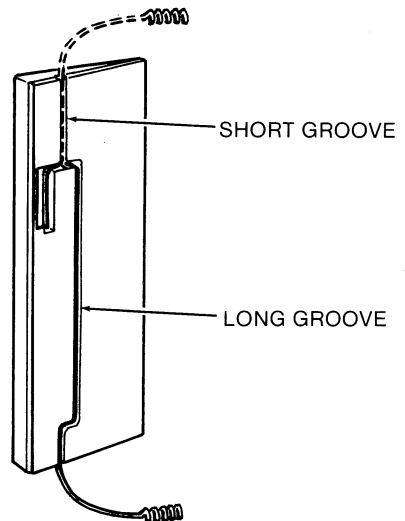


Connect keyboard to video monitor.

- 1 Connect straight part of cable to keyboard.

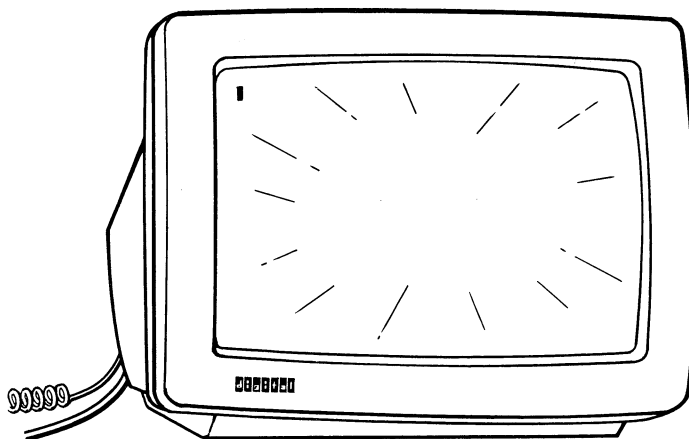


- 2 Press cable into groove.
- 3 Use long part of cable if routing to left.
Use short part if routing to right.



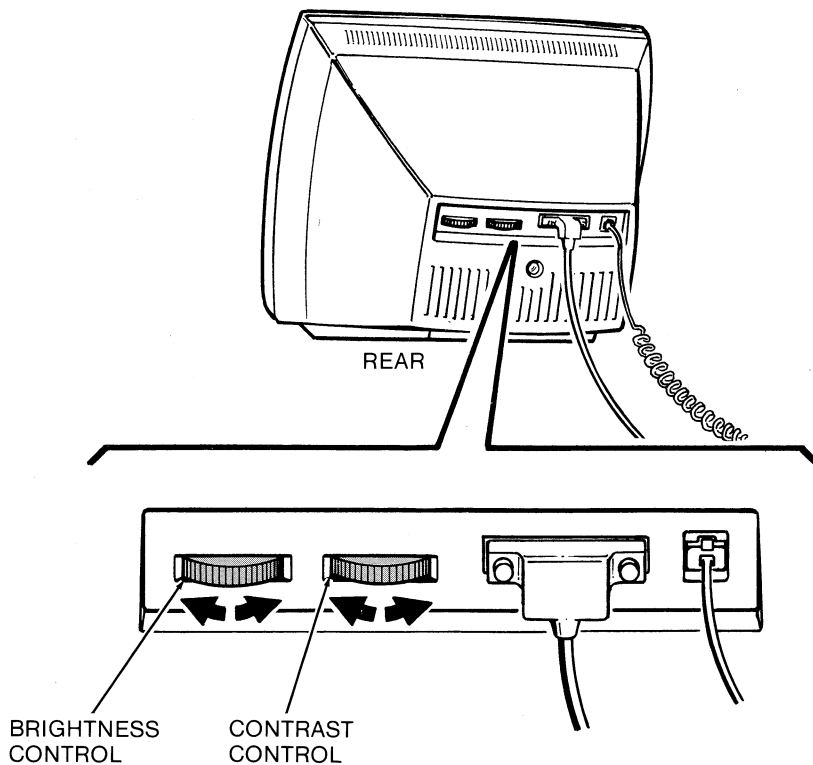
5

TURNING ON SYSTEM



CAUTION: Do not plug in power cord until so directed.

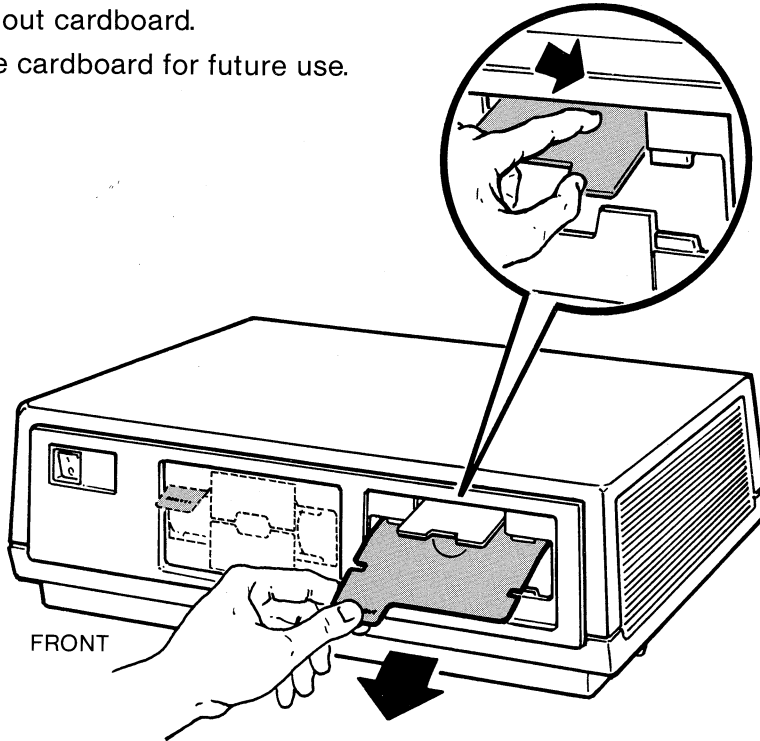
Set video monitor controls to midrange.



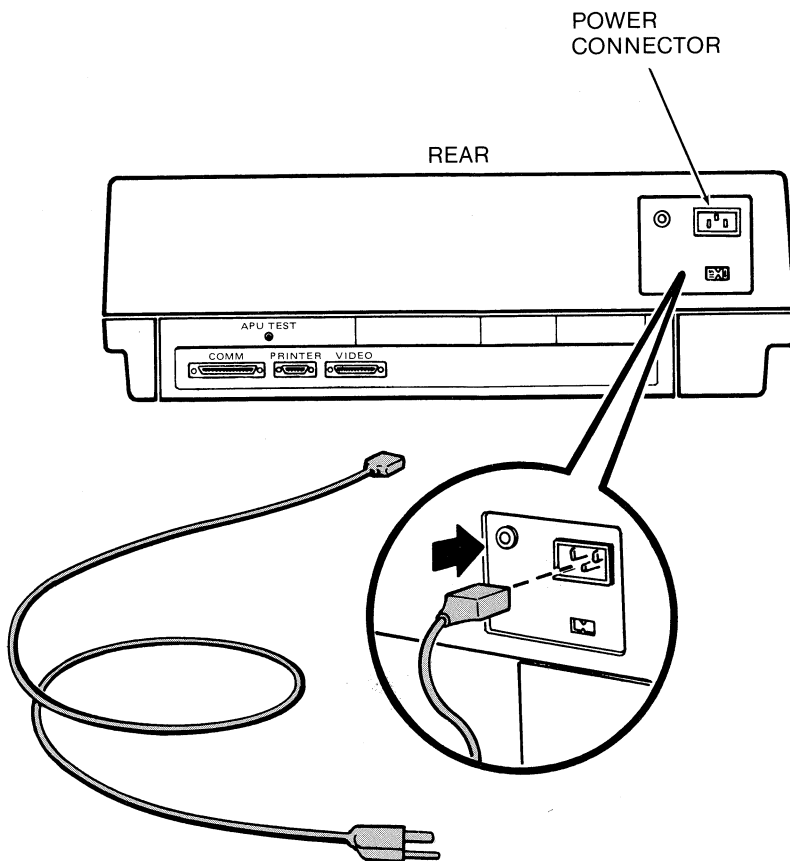
Remove cardboard from diskette drive(s).

CAUTION: Failing to remove the cardboard can damage the drive(s).

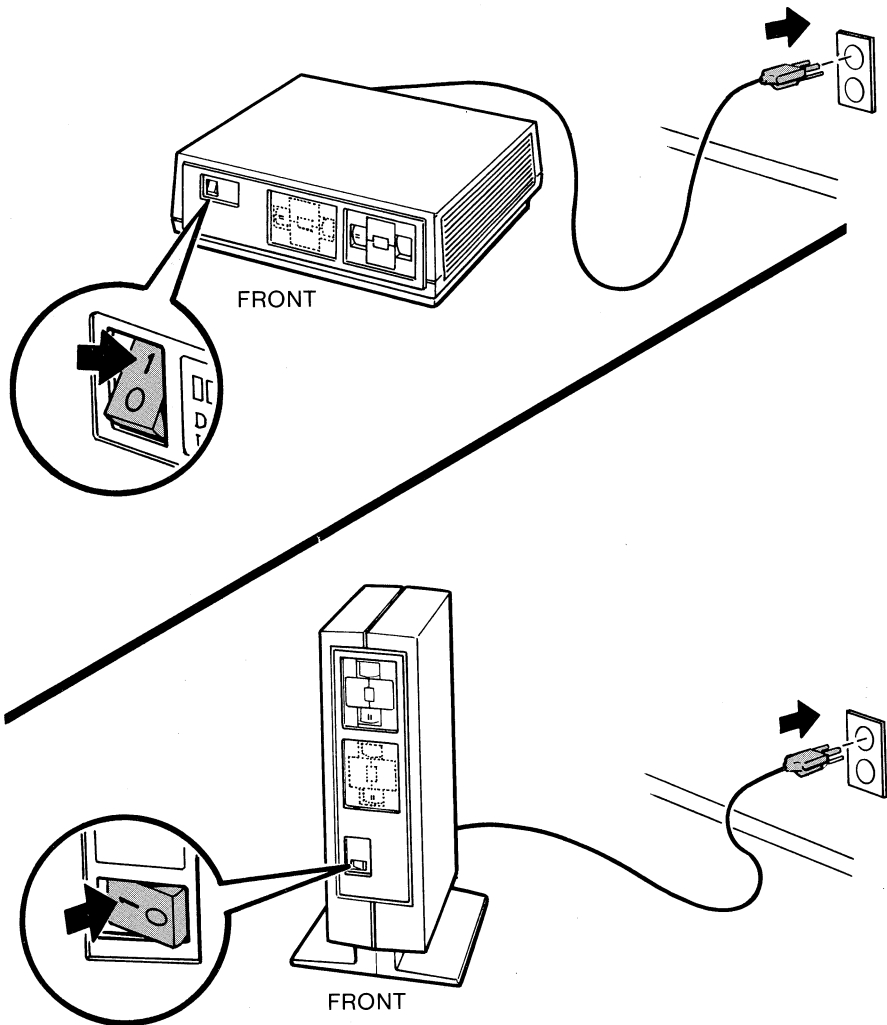
- 1 Open drive door(s).
- 2 Pull out cardboard.
- 3 Save cardboard for future use.



Connect power cord to system unit.

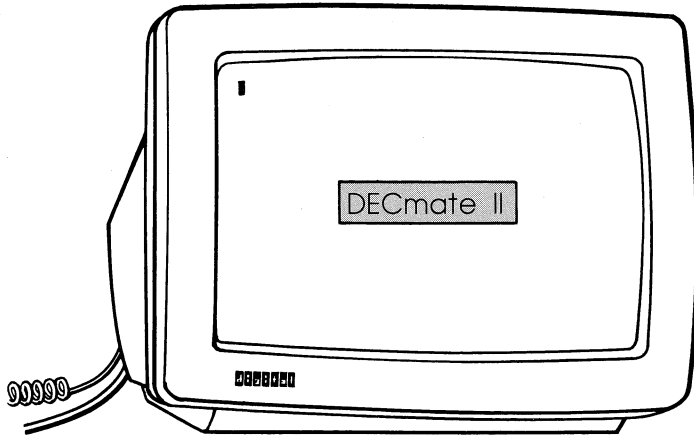


Plug in and turn on system unit.



Look at screen for this display.

If you see a different display, refer to Chapter 7 of the *DECmate II Owner's Manual*.

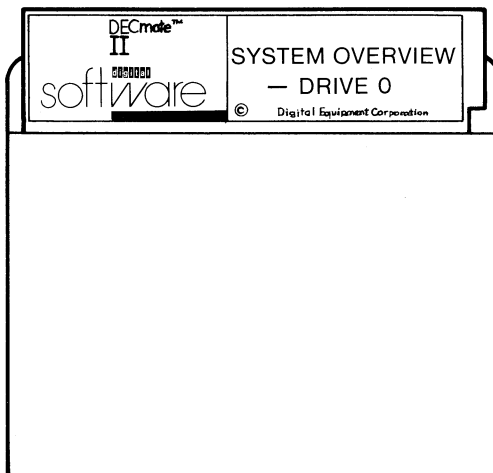


Congratulations.

You have finished installing your DECmate II system. Go on to Chapter 6 for a system overview.

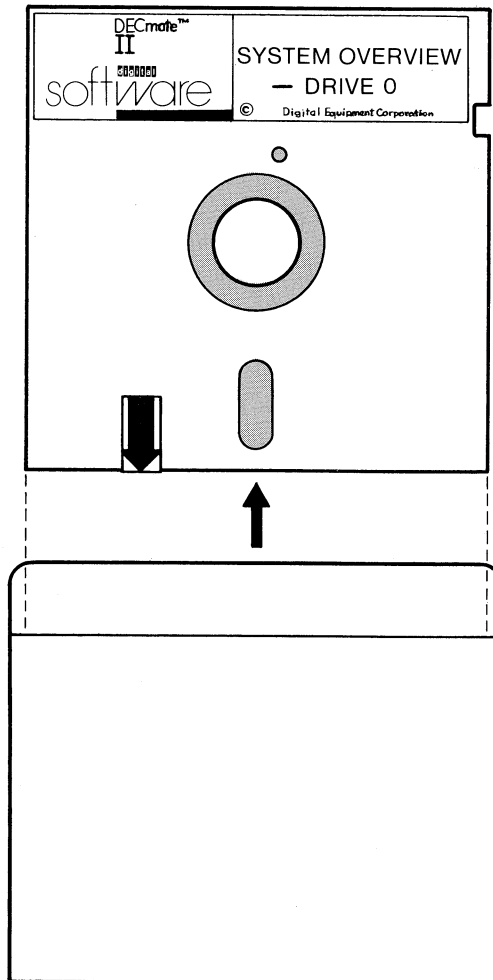
6

USING SYSTEM OVERVIEW DISKETTE



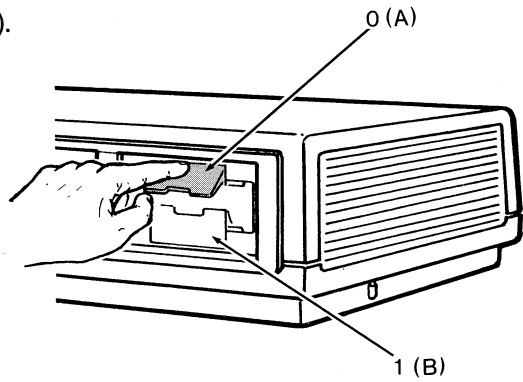
Remove diskette from envelope.

CAUTION: Do not touch parts of diskette marked in blue.

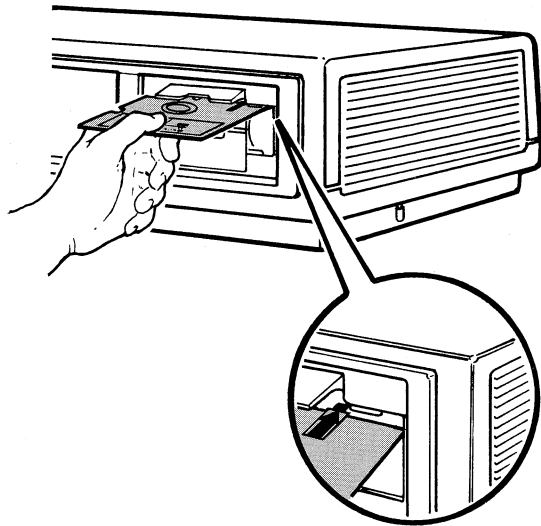


Insert diskette in diskette drive.

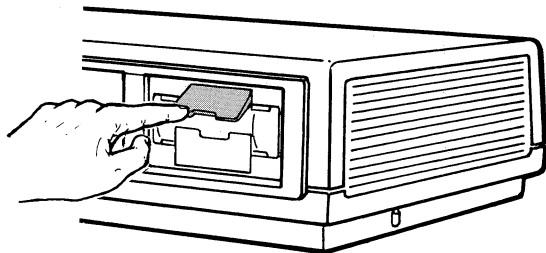
- 1 Open diskette drive door 0 (A).



- 2 Line up arrow on diskette as shown and insert.

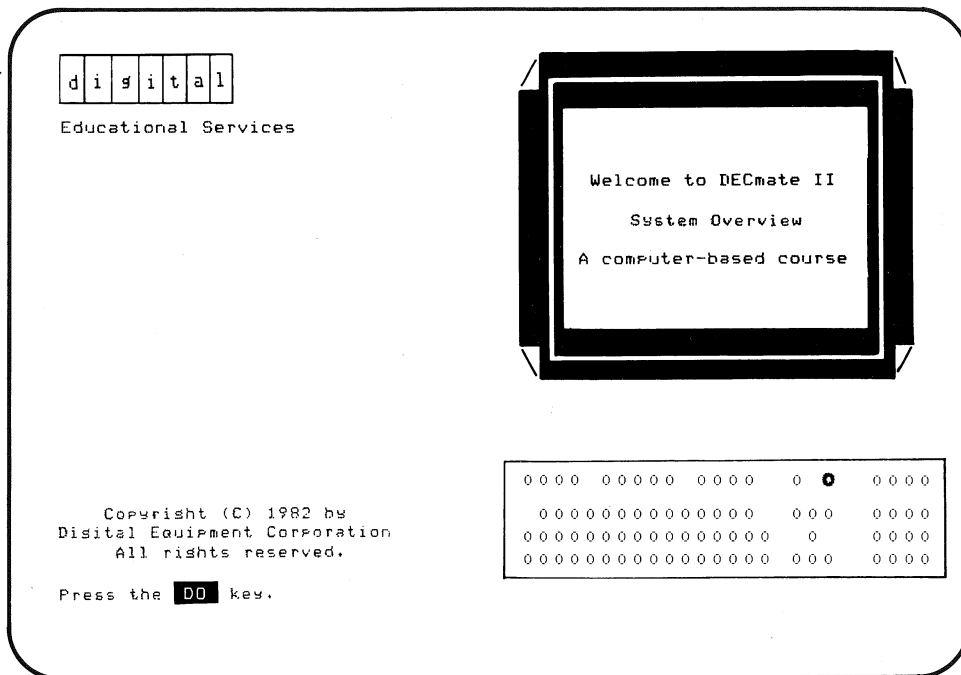


- 3 Close diskette drive door and wait for display.



Follow instructions on video monitor screen.

If you see a different display, make sure the diskette is in the correct drive door and is aligned correctly. If there is still a problem, refer to Chapter 7 of the *DECmate II Owner's Manual*.



DECmate II Installation Guide

Your comments and suggestions will help us in our continuous effort to improve the quality and usefulness of our publications.

What is your general reaction to this manual?

	Excellent	Very Good	Good	Fair	Poor
Accuracy	<input type="checkbox"/>	<input type="checkbox"/>	<input type="checkbox"/>	<input type="checkbox"/>	<input type="checkbox"/>
Completeness	<input type="checkbox"/>	<input type="checkbox"/>	<input type="checkbox"/>	<input type="checkbox"/>	<input type="checkbox"/>
Organization	<input type="checkbox"/>	<input type="checkbox"/>	<input type="checkbox"/>	<input type="checkbox"/>	<input type="checkbox"/>
Format	<input type="checkbox"/>	<input type="checkbox"/>	<input type="checkbox"/>	<input type="checkbox"/>	<input type="checkbox"/>

What features are most useful?

(Notes, Tables, Illustrations, etc.) _____

Does the publication satisfy your needs? Yes No

What errors have you found?

(Ref. page no., table no., figure no.) _____

Additional Comments _____

Name _____ Street _____
Title _____ City _____
Company _____ State/Country _____
Department _____ Zip _____

The Documentation Products Directory and the DECdirect Guide contain information on the remainder of DIGITAL's technical documentation.

Copies of the above Directory and Guide, as well as additional copies of this document, are available by writing or calling:

Digital Equipment Corporation
Accessories and Supplies Group
P.O. Box CS2008
Nashua, New Hampshire 03061

Attention: Documentation Products
Telephone: 1-800-258-1710

Order No. EK-DECM2-IN-001

MY

DO NOT TEAR – FOLD HERE AND TAPE

digital



No Postage
Necessary
if Mailed in the
United States

BUSINESS REPLY MAIL

FIRST CLASS

PERMIT NO. 33

MAYNARD, MA.

POSTAGE WILL BE PAID BY ADDRESSEE

DIGITAL EQUIPMENT CORPORATION
EDUCATIONAL SERVICES/QUALITY ASSURANCE
12 CROSBY DRIVE, BU/E08
BEDFORD, MA 01730

