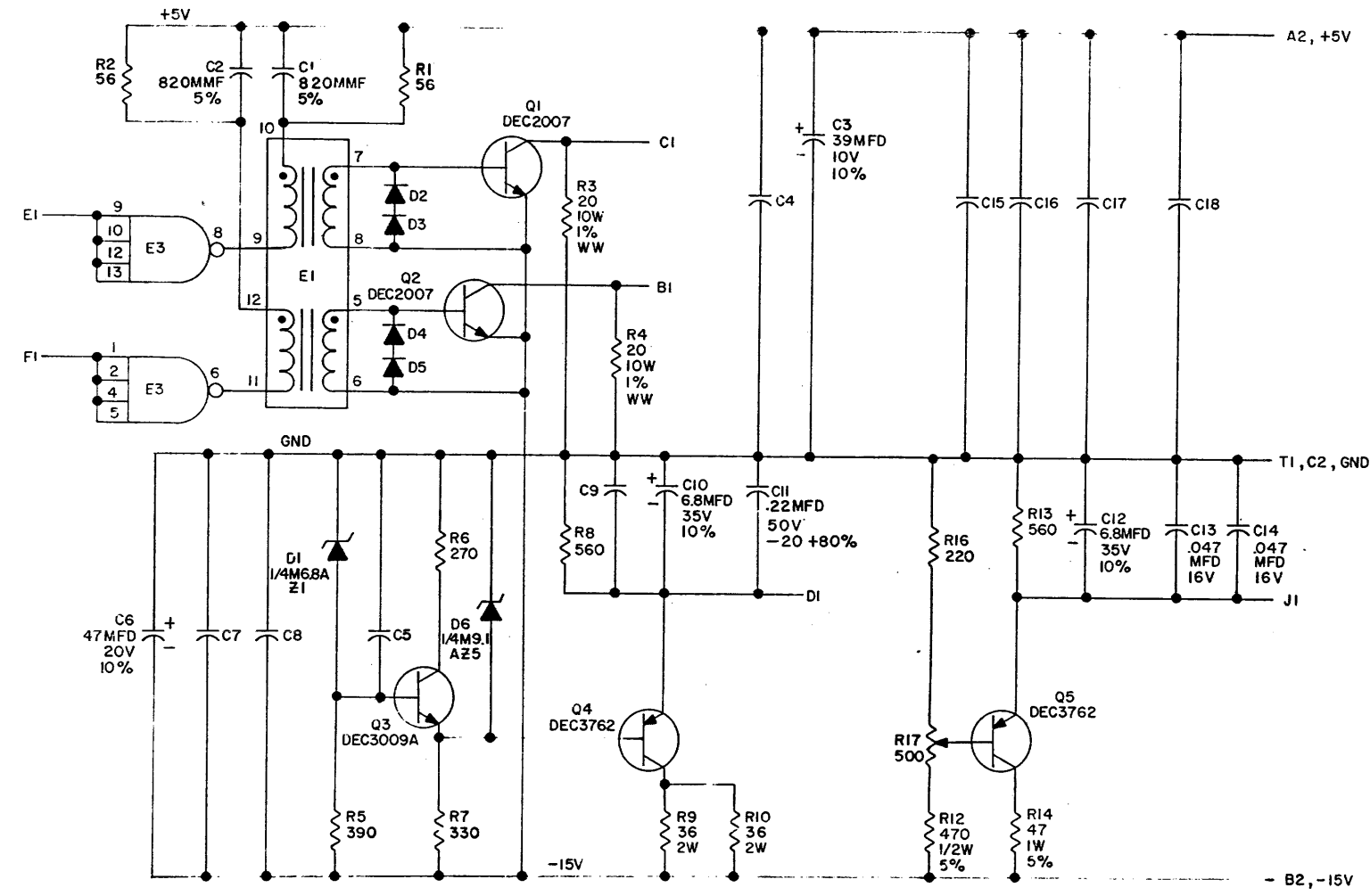
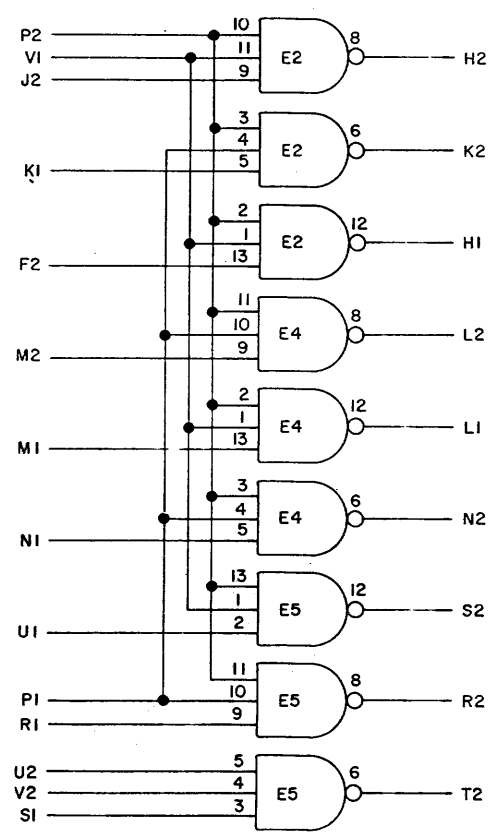


THIS SCHEMATIC IS FURNISHED ONLY FOR TEST AND MAINTENANCE PURPOSES. THE CIRCUITS ARE PROPRIETARY IN NATURE AND SHOULD BE TREATED ACCORDINGLY. COPYRIGHT 1969 BY DIGITAL EQUIPMENT CORPORATION



UNLESS OTHERWISE INDICATED:  
 RESISTORS ARE 1/4W, 5%  
 CAPACITORS ARE .01 MFD, 100V, 20%  
 PIN 7 ON EACH IC = GND  
 PIN 14 ON EACH IC = +5V  
 E2, E4, E5 ARE DEC74H10  
 E3 IS DEC7440  
 E1 IS TRANSFORMER DEC PART # 1609996-0  
 DIODES ARE D664

REV	CHK	CHK NO.	REV
1		00001	A
2		00002	B
3		00004	C
4		00005	D
5		00006	E
6		00007	F

DRN.	DATE	CHKD.	DATE	ENG.	DATE	PROD.	DATE
Butler	8/26/69		6/27/69		2-2-70		

TRANSISTOR & DIODE CONVERSION CHART			
DEC	EIA	DEC	EIA
D664	IN3506	1/4M9.1A#5	NONE
1/4M6.8A#1	NONE		
DEC2007	NONE		
DEC3762	NONE		
DEC3009A	2N3009A		

**digital** EQUIPMENT CORPORATION  
 TITLE: MEMORY LEVELS & GATES G103  
 NUMBER: G103-0-1  
 REV: F  
 SIZE: C CS  
 PRINTED CIRCUIT REV: A

REV. F  
 NUMBER G103-0-1  
 SIZE CODE C CS