

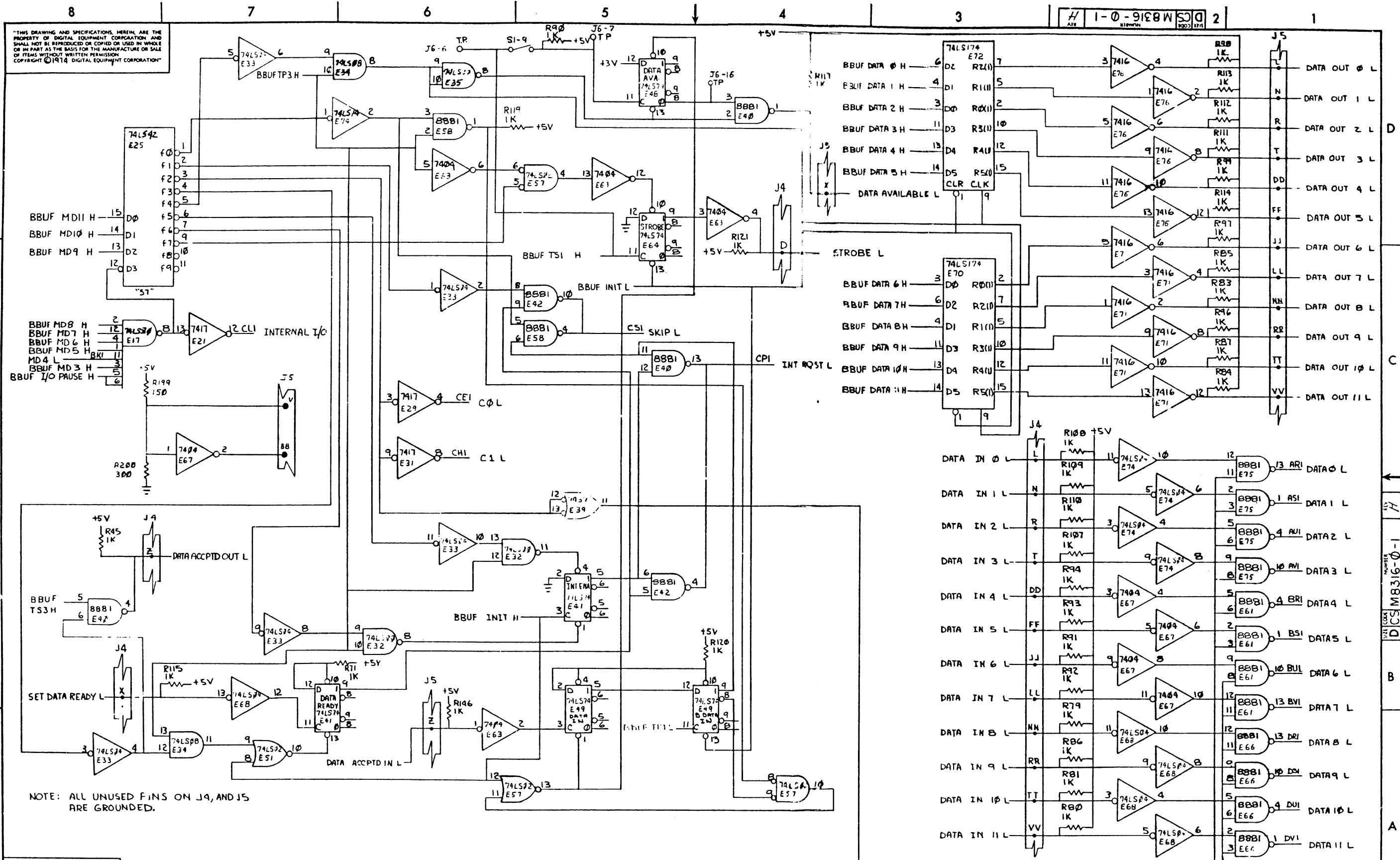
<b>DIGITAL EQUIPMENT CORPORATION</b> MAYNARD, MASSACHUSETTS		DATE 11/19/74			
<b>ENGINEERING SPECIFICATION</b>					
TITLE FIELD INSTALLATION & ACCEPTANCE PROCEDURE FOR DKC8-A					
REVISIONS					
REV	DESCRIPTION	CHG NO	DATE	APPD BY	DATE
ENG. <i>Mahe</i> 12/20/74 APPD <i>Paul W. ...</i>		SIZE	CODE	NUMBER	REV
DEC 16-10811-1022-N370 DMA 108		A	SP	DKC8-A-1	1 of 4
		SHEET 1 OF 4			

<b>ENGINEERING SPECIFICATION</b>		CONTINUATION SHEET																			
TITLE FIELD INSTALLATION & ACCEPTANCE PROCEDURE FOR DKC8-A																					
I GENERAL	This procedure defines the performance standard required of the DKC8*, option board #1. This procedure refers to both system acceptance and add-on acceptance.  NOTE: If DKC8 was shipped as part of a PDP-8A system, proceed to installation procedure.  * Serial Line Unit Real Time Clock Parallel I/O Programmer's Console Logic																				
II INSPECTION	After removing the DKC8 from the packing material, inspect the module for the following:  1. Inventory hardware against shipping list. 2. Inventory software against software list, if ordered. 3. Inventory prints against shipping list, if ordered. 4. Check hardware for loose or broken components.																				
III INSTALLATION PROCEDURE	Install the equipment using the following procedure:  1. Set up switches as indicated by the diagnostic write up.  <table border="0"> <tr> <td>SI-1 thru SI-3</td> <td>"ON"</td> <td>9600 baud</td> </tr> <tr> <td>SI-4</td> <td>"ON"</td> <td>Normally "ON"</td> </tr> <tr> <td>SI-5</td> <td>"ON"</td> <td>Real Time Clock Enable</td> </tr> <tr> <td>SI-6</td> <td>"ON"</td> <td>Normally "ON"</td> </tr> <tr> <td>SI-7</td> <td>"ON"</td> <td>One Stop Bit</td> </tr> <tr> <td>SI-8</td> <td>"OFF"</td> <td>Disable TTY 20 MA Filter</td> </tr> </table> NOTE: Reference Operator's Handbook for switch setting descriptions.  2. Insert TTY loop back cable (DEC Part #7008517) on DKC8.  3. Insert parallel I/O cable loop back cable (DEC Part # BC08R-1) on DKC8.			SI-1 thru SI-3	"ON"	9600 baud	SI-4	"ON"	Normally "ON"	SI-5	"ON"	Real Time Clock Enable	SI-6	"ON"	Normally "ON"	SI-7	"ON"	One Stop Bit	SI-8	"OFF"	Disable TTY 20 MA Filter
SI-1 thru SI-3	"ON"	9600 baud																			
SI-4	"ON"	Normally "ON"																			
SI-5	"ON"	Real Time Clock Enable																			
SI-6	"ON"	Normally "ON"																			
SI-7	"ON"	One Stop Bit																			
SI-8	"OFF"	Disable TTY 20 MA Filter																			
DEC FORM NO DEC 16-10811-1022-N370 DMA 108		SIZE	CODE																		
		A	SP																		
		NUMBER	REV																		
		DKC8-A-1	4																		
		SHEET 2 OF 4																			

<b>ENGINEERING SPECIFICATION</b>		CONTINUATION SHEET	
TITLE FIELD INSTALLATION AND ACCEPTANCE PROCEDURE FOR DKC8-A			
III INSTALLATION PROCEDURE (continued)	4. Insert two programmer's console cables on DKC8. 5. Insure that the 8A Power is removed from the Omnibus™. 6. Insert DKC8 into the second or third slot of the Omnibus™. 7. Turn the power back "ON". 8. Check the operation of the programmer's console.		
IV ACCEPTANCE PROCEDURE	Perform the acceptance procedure defined in Table 1. If abnormal indications are encountered, refer to the diagnostic listing for type of error. Reference the diagnostic write ups and operator's manual for instructions on loading diagnostics.  Equipment Required: 1. PDP-8A with 1K or more R/W Memory 2. Paper Tape Input Device 3. Programmer's Console (KC8-A) 4. Diagnostic and Listings 5. TTY loop Back Cable 6. Parallel I/O Loop Back Cable 7. W987 Quad Extender NOTE: If the programmer's console and paper tape input device are not available as part of the system being used, they must be supplied in good working order by the customer.		
DEC FORM NO DEC 16-10811-1022-N370 DMA 108		SIZE	CODE
		A	SP
		NUMBER	REV
		DKC8-A-1	4
		SHEET 3 OF 4	

<b>ENGINEERING SPECIFICATION</b>		CONTINUATION SHEET																									
TITLE FIELD INSTALLATION: 5 ACCEPTANCE PROCEDURE FOR DKC8-A																											
Acceptance of DKC8 with 4K or More R/W Memory	<table border="0"> <tr> <td>Program Name</td> <td>MainDec #</td> <td>Accept Time</td> <td>Restiction</td> </tr> <tr> <td>DKC8-AA Option Test #1</td> <td>08-DJDKA-PB</td> <td>30 min</td> <td>4K R/W Memory</td> </tr> </table> Acceptance of DKC8 with less than 1K of R/W Memory  <table border="0"> <tr> <td>DKC8-AA Option Test #1</td> <td>08-DJDKA -PM1</td> <td>10 min</td> <td>1K R/W Memory</td> </tr> <tr> <td>Segment #1 (RIM)</td> <td>08-DJDKA -PM2</td> <td>10 min</td> <td>1K R/W Memory</td> </tr> <tr> <td>DKC8-AA Option Test #1</td> <td>08-DJDKA -PM3</td> <td>10 min</td> <td>1K R/W Memory</td> </tr> <tr> <td>Segment #3 (RIM)</td> <td>08-DJDKA -PM4</td> <td>10 min</td> <td>1K R/W Memory</td> </tr> </table>			Program Name	MainDec #	Accept Time	Restiction	DKC8-AA Option Test #1	08-DJDKA-PB	30 min	4K R/W Memory	DKC8-AA Option Test #1	08-DJDKA -PM1	10 min	1K R/W Memory	Segment #1 (RIM)	08-DJDKA -PM2	10 min	1K R/W Memory	DKC8-AA Option Test #1	08-DJDKA -PM3	10 min	1K R/W Memory	Segment #3 (RIM)	08-DJDKA -PM4	10 min	1K R/W Memory
Program Name	MainDec #	Accept Time	Restiction																								
DKC8-AA Option Test #1	08-DJDKA-PB	30 min	4K R/W Memory																								
DKC8-AA Option Test #1	08-DJDKA -PM1	10 min	1K R/W Memory																								
Segment #1 (RIM)	08-DJDKA -PM2	10 min	1K R/W Memory																								
DKC8-AA Option Test #1	08-DJDKA -PM3	10 min	1K R/W Memory																								
Segment #3 (RIM)	08-DJDKA -PM4	10 min	1K R/W Memory																								
DEC FORM NO DEC 16-10811-1022-N370 DMA 108		SIZE	CODE																								
		A	SP																								
		NUMBER	REV																								
		DKC8-A-1	4																								
		SHEET 4 OF 4																									





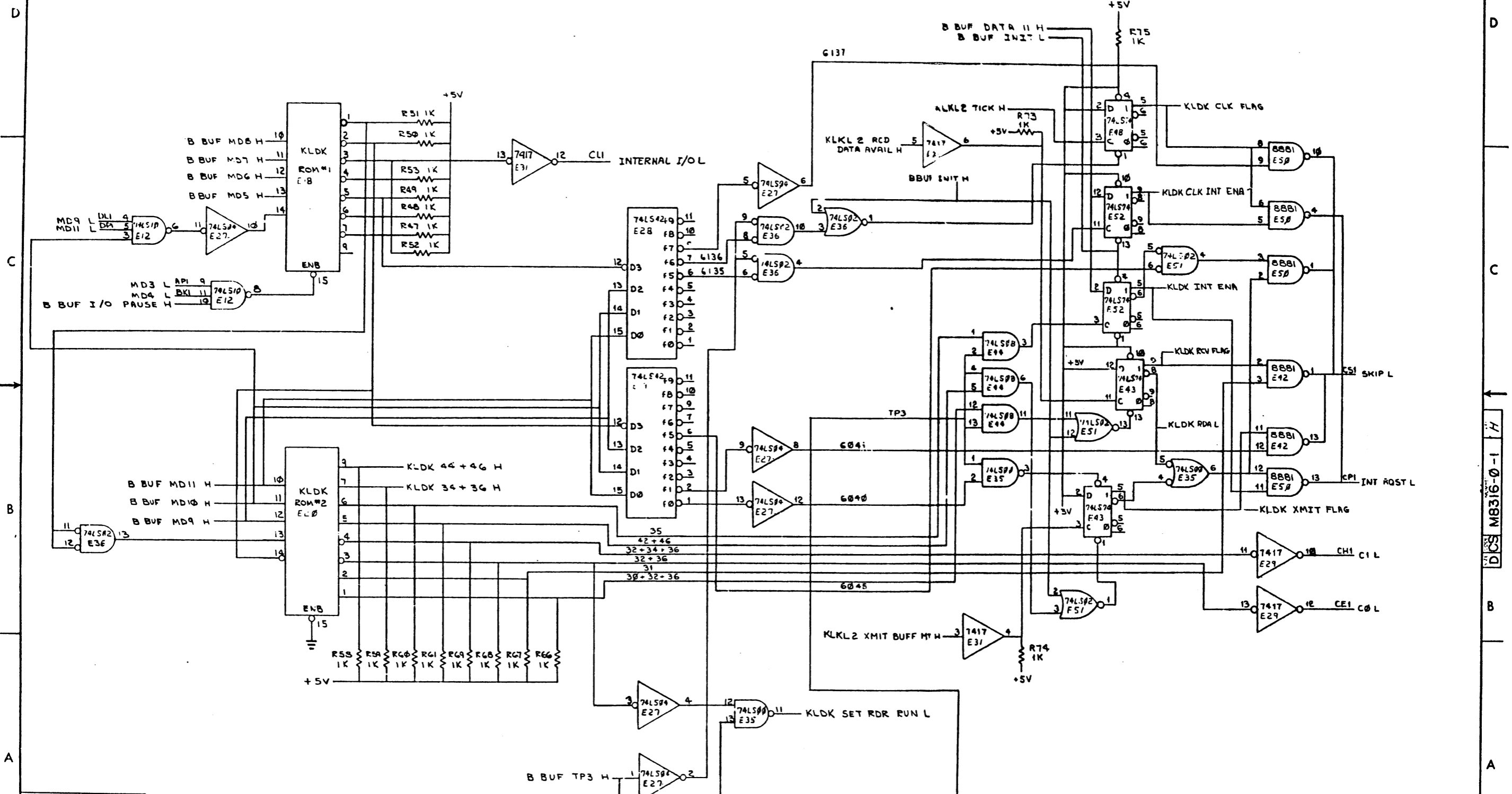
"THIS DRAWING AND SPECIFICATIONS, HEREIN, ARE THE PROPERTY OF DIGITAL EQUIPMENT CORPORATION AND SHALL NOT BE REPRODUCED OR COPIED OR USED IN WHOLE OR IN PART AS THE BASIS FOR THE MANUFACTURE OR SALE OF ITEMS WITHOUT WRITTEN PERMISSION. COPYRIGHT © 1974 DIGITAL EQUIPMENT CORPORATION"

NOTE: ALL UNUSED PINS ON J4, AND J5 ARE GROUNDED.

REVISIONS		
CHK	CHANGE NO	REV.

TITLE	OPTION BD #1	SIZE CODE	D CS	NUMBER	MB316-0-1	REV.	H
SCALE	1:1	SHEET	2	OF	2	DIST.	

THIS DRAWING AND SPECIFICATIONS HEREIN ARE THE PROPERTY OF DIGITAL EQUIPMENT CORPORATION AND SHALL NOT BE REPRODUCED OR COPIED OR USED IN WHOLE OR IN PART AS THE BASIS FOR THE MANUFACTURE OR SALE OF ITEMS WITHOUT WRITTEN PERMISSION. COPYRIGHT © 1974 DIGITAL EQUIPMENT CORPORATION

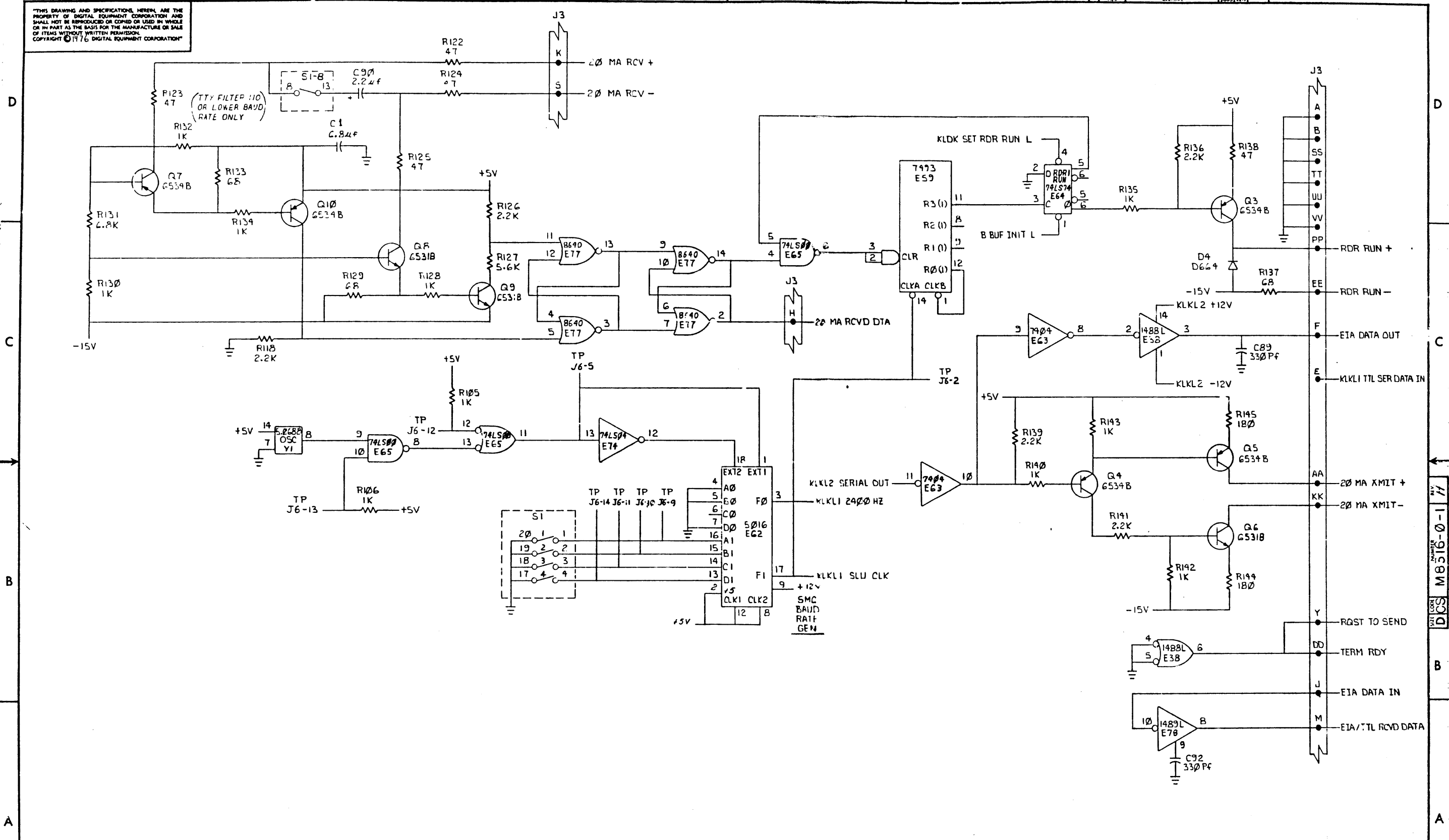


REVISIONS		
CHK	CHANGE NO	REV

(SLU IOT DECODE/FLAGS & XTAL CLOCK)

TITLE	OPTION BD # 1 (KLDK)	SIZE CODE	D CS	NUMBER	M8316-0-1	REV.	H
SCALE	/	SHEET	3	OF	3	DIST.	

THIS DRAWING AND SPECIFICATIONS HEREIN ARE THE PROPERTY OF DIGITAL EQUIPMENT CORPORATION AND SHALL NOT BE REPRODUCED OR COPIED OR USED IN WHOLE OR IN PART AS THE BASIS FOR THE MANUFACTURE OR SALE OF ITEMS WITHOUT WRITTEN PERMISSION. COPYRIGHT © 1976 DIGITAL EQUIPMENT CORPORATION



REVISIONS		
CHK	CHANGE NO.	REV.

(BAUD RATE GEN & 20 MA. EIA DRIVERS/RECEIVERS)

TITLE	OPTION BD #1 (KLKLI)	SIZE CODE	D CS	NUMBER	M8316-0-1	REV.	H
SCALE	1:1	SHEET	4	OF	8	DIST.	