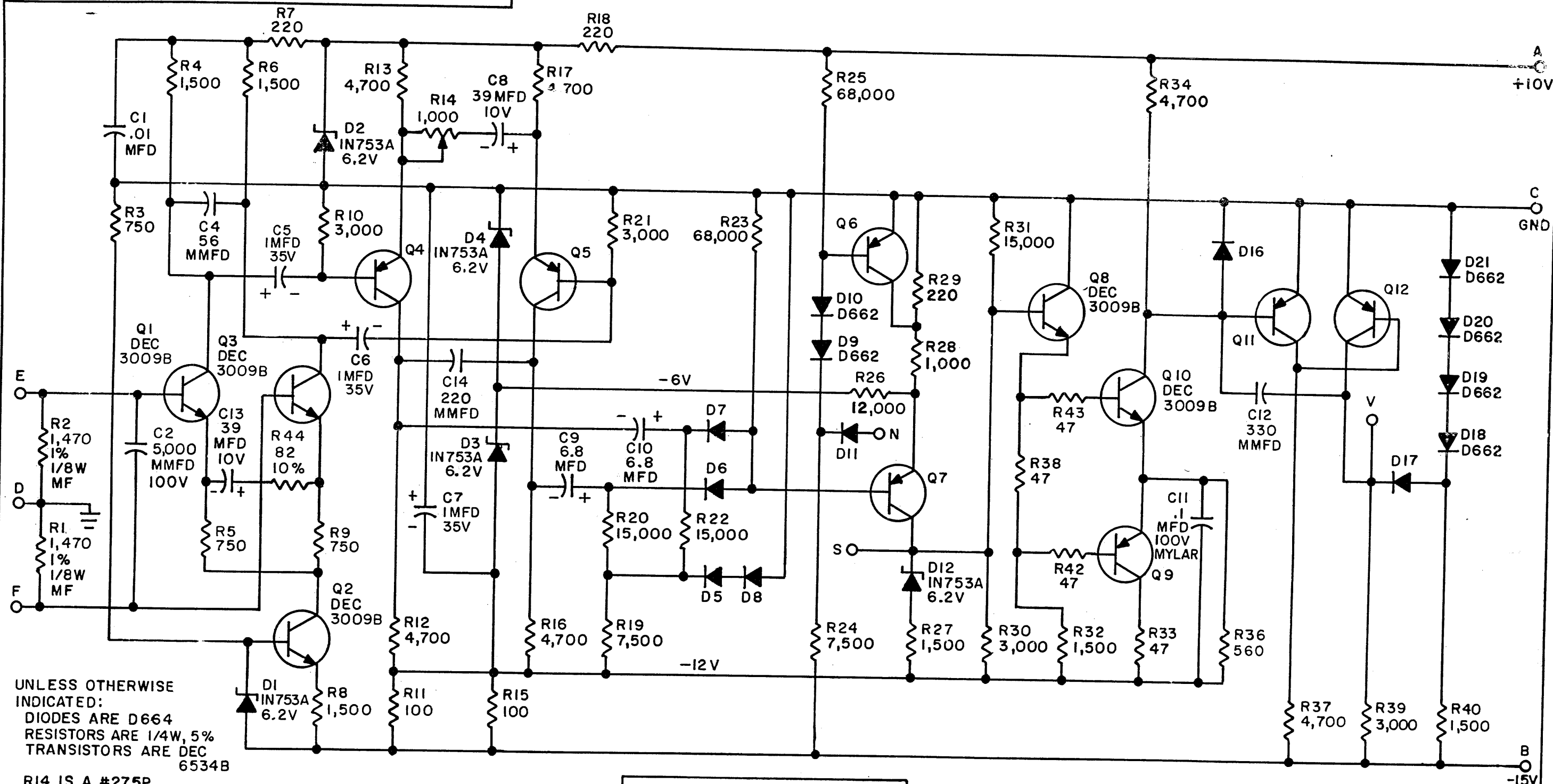


THIS SCHEMATIC IS FURNISHED ONLY FOR TEST AND MAINTENANCE PURPOSES. THE CIRCUITS ARE PROPRIETARY IN NATURE AND SHOULD BE TREATED ACCORDINGLY. COPYRIGHT 1967 BY DIGITAL EQUIPMENT CORPORATION

REV NUMBER SIZE CODE



UNLESS OTHERWISE INDICATED:
 DIODES ARE D664
 RESISTORS ARE 1/4W, 5%
 TRANSISTORS ARE DEC 6534B
 R14 IS A #275P
 PARTS LIST A-PL-G084-0-0

| REV | CHG NO | CHK |
|-----|--------|------|
| B | 6772 | M.H. |
| C | 7153 | M.H. |
| D | 0001 | M.H. |

| | |
|--------------------------|----------------|
| DRN. <i>M. Haller</i> | DATE 4-5-67 |
| CHK'D | DATE |
| ENG. | DATE |
| PROD. I | DATE |

| TRANSISTOR & DIODE CONVERSION CHART | | | |
|-------------------------------------|---------|--------|------|
| DEC | EIA | DEC | EIA |
| DEC3009B | 2N3009 | IN753A | SAME |
| DEC6534B | MPS6534 | | |
| D662 | IN645 | | |
| D664 | IN3606 | | |

digital
 EQUIPMENT CORPORATION
 MAYNARD, MASSACHUSETTS

| | | | |
|-----------------------------------|------------|--------------------|-----------|
| TITLE MAG. TAPE READ AMP. G084 | | | |
| SIZE B | CODE CS | NUMBER G084-0-1 | REV. D |
| PRINTED CIRCUIT REV. C | | | |

DEC FORM NO. DRB 102

DIST. 324 1134 1135