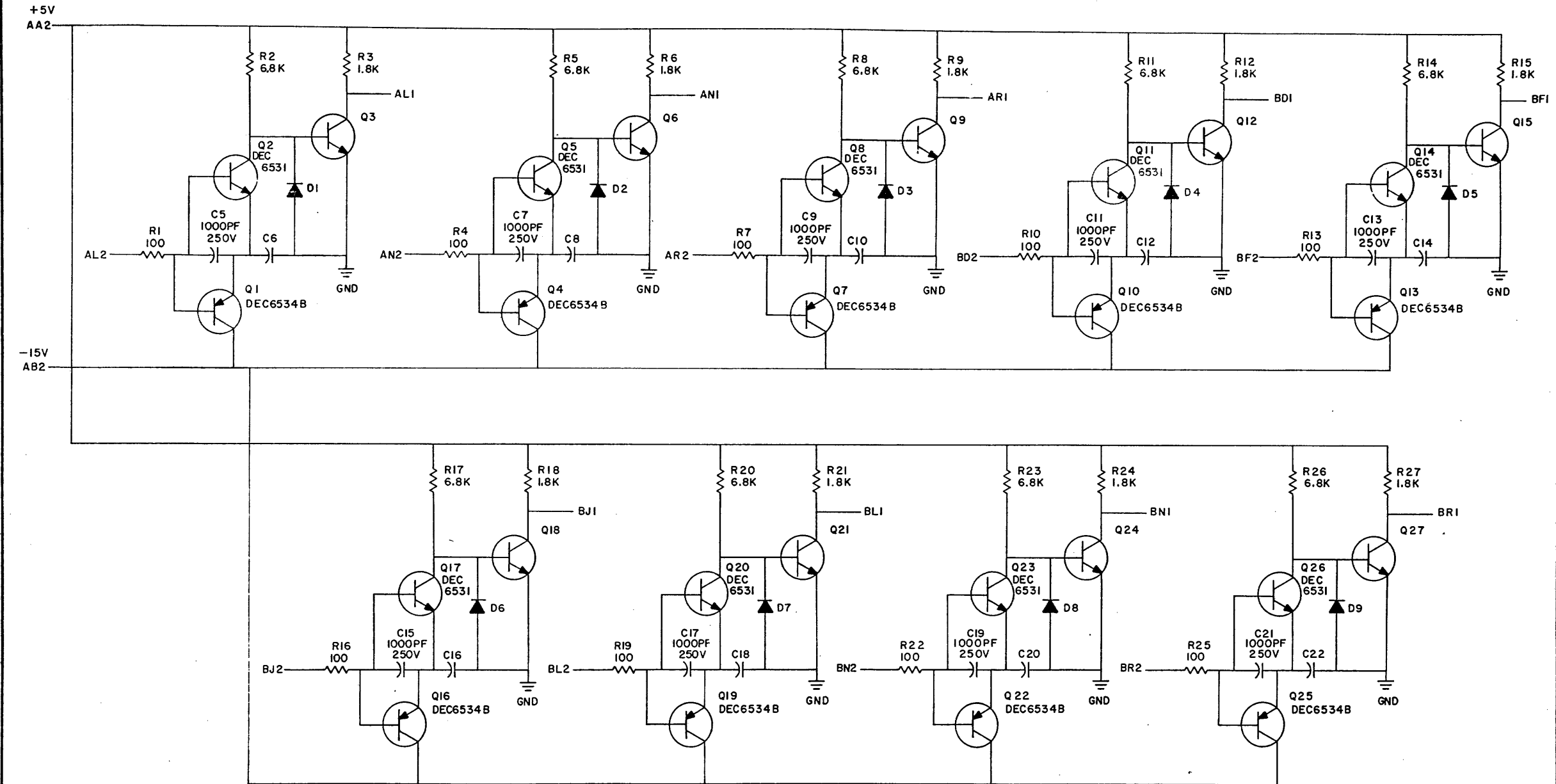
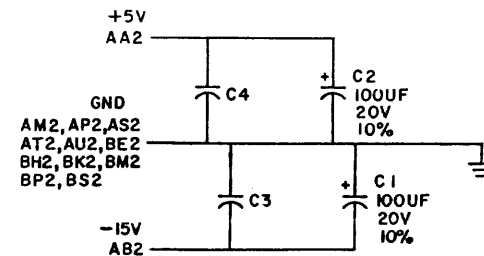


THIS SCHEMATIC IS FURNISHED ONLY FOR TEST AND MAINTENANCE PURPOSES. THE CIRCUITS ARE PROPRIETARY IN NATURE AND SHOULD BE TREATED ACCORDINGLY. COPYRIGHT 1970 BY DIGITAL EQUIPMENT CORPORATION



UNLESS OTHERWISE INDICATED:
 RESISTORS ARE 1/4W, 5%
 CAPACITORS ARE .01UF, 100V, 20%
 TRANSISTORS ARE DEC 3009B
 DIODES ARE D664



REV.	CHK	CHG	NO.	REV.
1			0001	B
2			0002	C
3			0003	D

DRN <i>J. Cooper</i>	DATE 11/17/70	TRANSISTOR & DIODE CONVERSION CHART	
CHK'D <i>J. Cooper</i>	DATE 11/17/70	DEC	EIA
ENG. <i>J. Cooper</i>	DATE	DEC6534B	MPS6534
PROD.	DATE	DEC6531	MPS6531
		DEC3009B	2N3009B

digital		TITLE PEAK DETECTOR G062	
SIZE C	CODE CS	NUMBER G062-0-1	REV. D
EQUIPMENT CORPORATION MAYNARD, MASSACHUSETTS			
PRINTED CIRCUIT REV. <input type="checkbox"/>			

SIZE	CODE	NUMBER	REV.
C	CS	G062-0-1	D

REV. D
 NUMBER G062-0-1
 SIZE CODE C CS

DIS 321,434,435 3 5 PINK