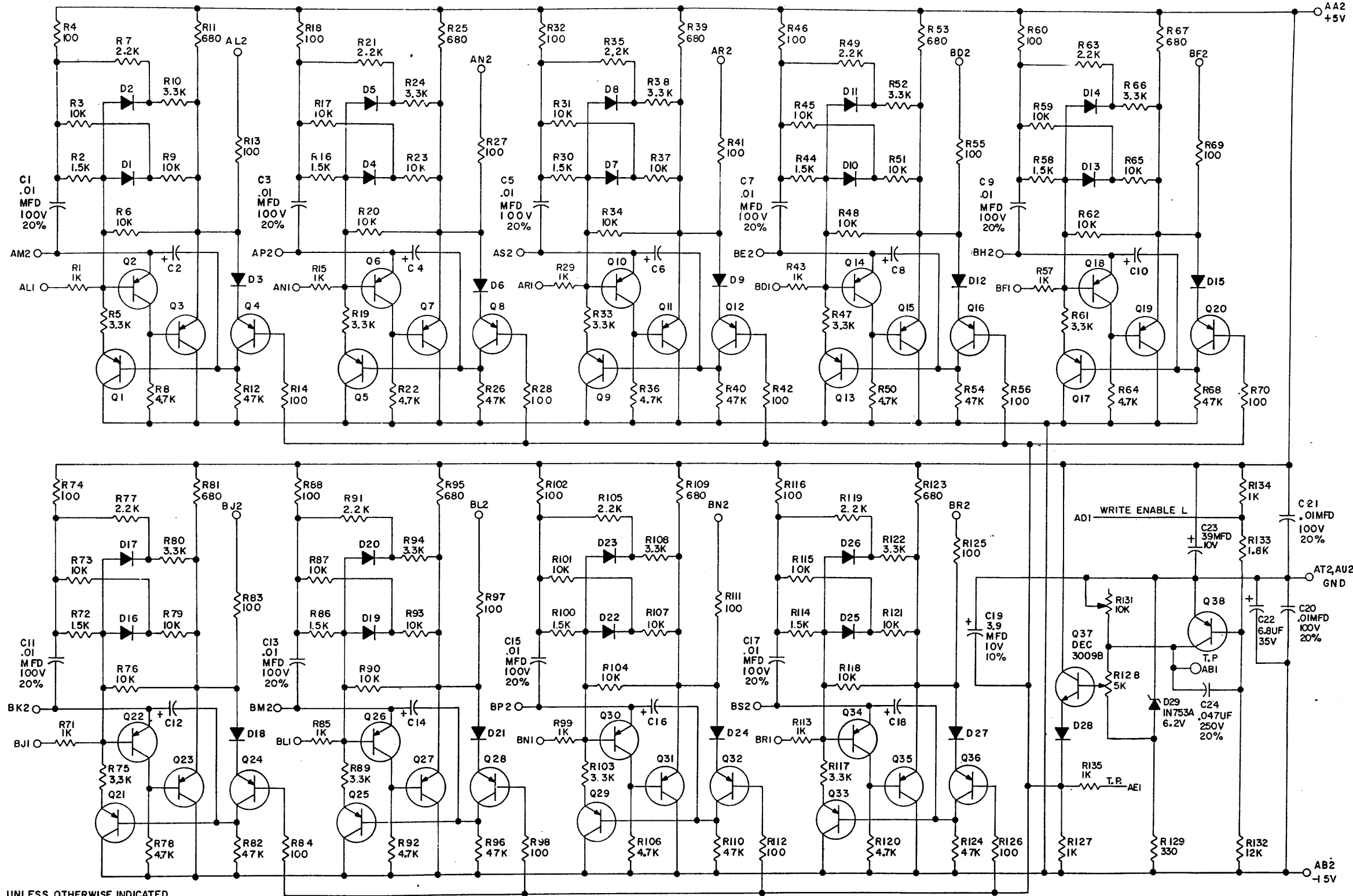


THIS SCHEMATIC IS FURNISHED ONLY FOR TEST AND MAINTENANCE PURPOSES. THE CIRCUITS ARE PROPRIETARY IN NATURE AND SHOULD BE TREATED ACCORDINGLY. COPYRIGHT 1969 BY DIGITAL EQUIPMENT CORPORATION



UNLESS OTHERWISE INDICATED
 CAPACITORS ARE .47MFD, 35V, 10%
 DIODES ARE D664
 RESISTORS ARE 1/4W 5%
 TRANSISTORS ARE DEC 6534B

REV.	CHG	NO.

DRN.	DATE	10-18-68
CHK'D	DATE	1-17-71
ENG.	DATE	3-11-71
PROD.	DATE	

TRANSISTOR & DIODE CONVERSION CHART			
DEC	EIA	DEC	EIA
D664	IN3606	IN753A	SAME
D662	IN645		
IN745A	SAME		
DEC6534B	MPS 6534		
DEC3009B	2N3009		

digital EQUIPMENT CORPORATION
 MAYNARD, MASSACHUSETTS

TITLE: TU10 COMPRESSOR G060
 SIZE: C CS
 NUMBER: G060-0-1
 REV. C

PRINTED CIRCUIT REV. D

REV. C
 NUMBER G060-0-1
 SIZE CODE C CS