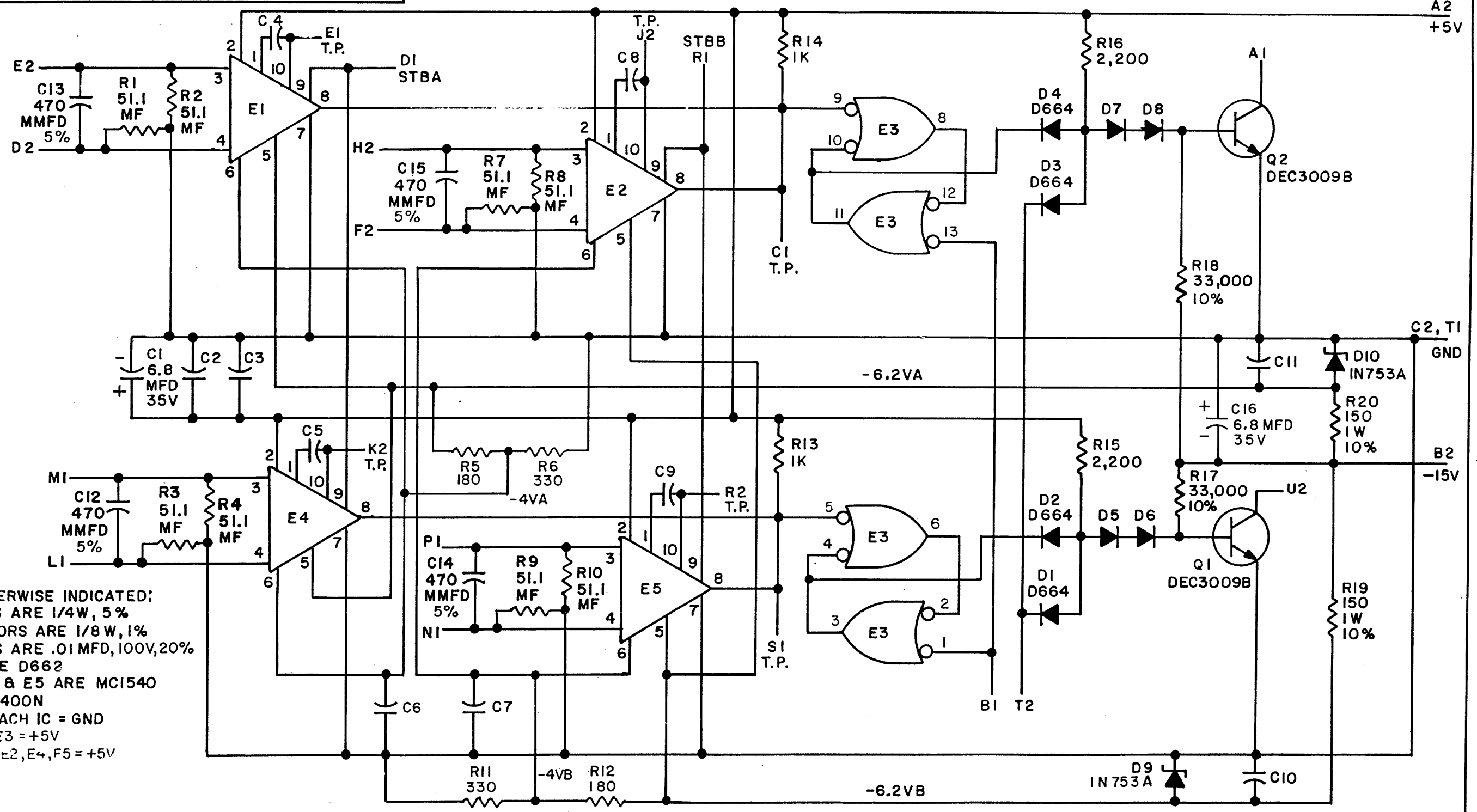


THIS SCHEMATIC IS FURNISHED ONLY FOR TEST AND MAINTENANCE PURPOSES. THE CIRCUITS ARE PROPRIETARY IN NATURE AND SHOULD BE TREATED ACCORDINGLY. COPYRIGHT 1967 BY DIGITAL EQUIPMENT CORPORATION



UNLESS OTHERWISE INDICATED:
RESISTORS ARE 1/4W, 5%
MF RESISTORS ARE 1/8W, 1%
CAPACITORS ARE .01 MFD, 100V, 20%
DIODES ARE D662
E1, E2, E4 & E5 ARE MC1540
E3 IS DEC7400N
PIN 7 ON EACH IC = GND
PIN 14 ON E3 = +5V
PIN 2 ON E1, E2, E4, E5 = +5V

PARTS LIST IS A-PL-G021-0-0

REVISIONS CHK NO. REV. C D E F H J K 00001 00002 00003 00004 00006 00008 00009	DRN. <i>M. Waller</i> DATE 4-11-67	TRANSISTOR & DIODE CONVERSION CHART		TITLE digital EQUIPMENT CORPORATION MAYNARD, MASSACHUSETTS SENSE AMP. G021
	CHK'D	DEC	EIA	
	ENG. <i>TC</i>	DEC	EIA	
	PROD. 2	DEC	EIA	
		DEC3009B	2N3009	SIZE B CODE CS NUMBER G021-0-1 REV. K
		D662	IN645	PRINTED CIRCUIT REV. H
		D664	IN3606	
		IN753	SAME	