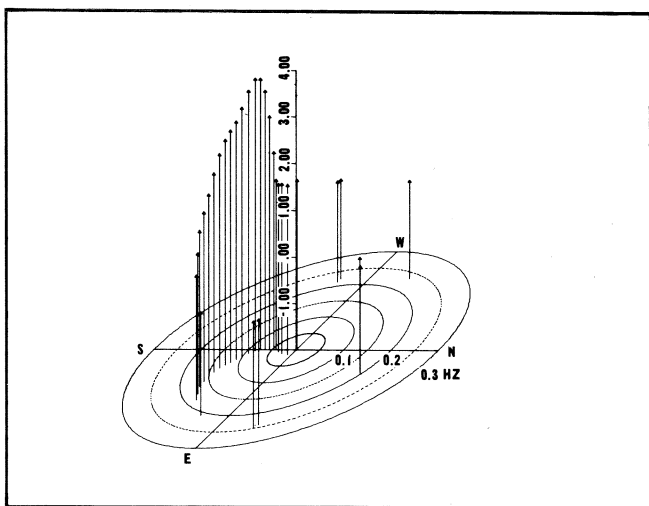
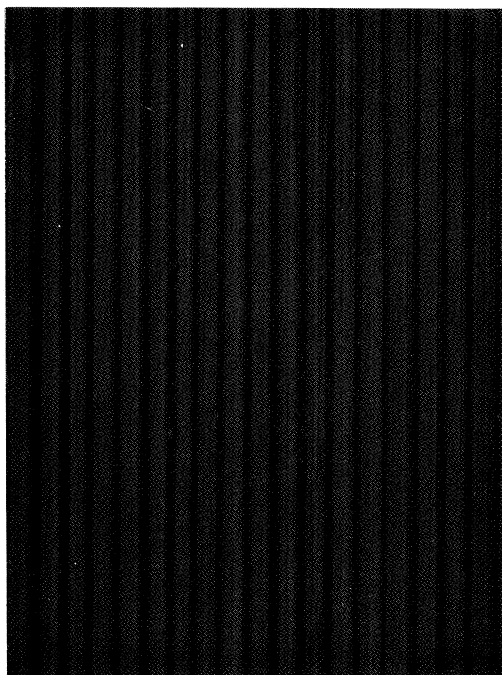
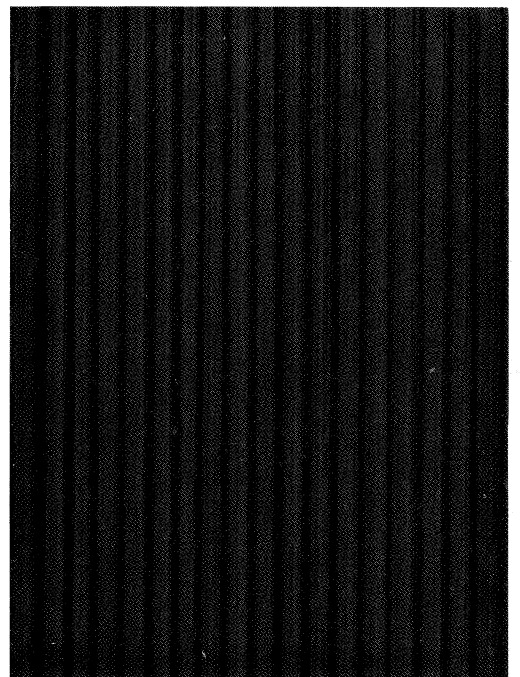


INSTRUCTION
MANUAL
for the
MODEL 563



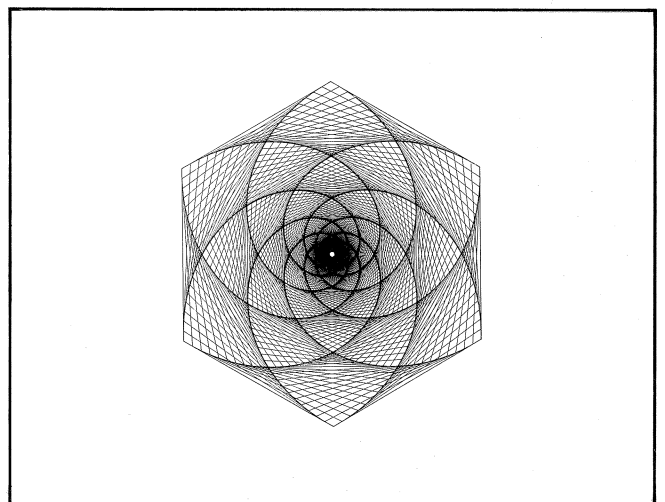
CALCOMP

CALCOMP



CALCOMP

CALCOMP



**MODEL 563
DIGITAL INCREMENTAL PLOTTER
INSTRUCTION MANUAL**

DECEMBER 1969



**CALIFORNIA COMPUTER PRODUCTS, INC.
2411 West La Palma Anaheim, California 92801**

Copyright © 1969, by
CALIFORNIA COMPUTER PRODUCTS, INC.

This document contains proprietary information of California Computer Products, Inc. (Company) and is submitted in confidence. Recipient agrees not to disclose or use the information contained herein except in connection with Company products, or reproduce in whole or in part without written permission from the Company.

Printed in the United States of America

CONTENTS

<u>Section</u>	<u>Title</u>	<u>Page</u>
1	GENERAL DESCRIPTION	
	1.1 Introduction	1
	1.2 Functional Description	1
2	INSTALLATION	
	2.1 Introduction.	5
	2.2 Unpacking	5
	2.3 Inspection	5
	2.4 Cable Fabrication	5
	2.5 Installation of Chart Paper	5
	2.6 Installation of Pen	6
	2.7 Installation Precautions	6
3	THEORY OF OPERATION	
	3.1 General	7
	3.2 Detailed Theory	7
	3.2.1 Step Motors	9
	3.2.2 Reversible Ring Counters	9
	3.2.3 One-Shot (Clock Pulse Multivibrators)	10
	3.2.4 Pen Solenoid Control Circuit	11
	3.2.5 Drum and Carriage Manual Control Circuits	12
	3.2.6 Pen Solenoid Manual Control Circuit	13
	3.2.7 AC Power Distribution and DC Power Supply	13
4	OPERATING INSTRUCTIONS	
	4.1 Introduction	19
	4.2 Control Functions	19
	4.2.1 Power On/Off	19
	4.2.2 Carriage Fast Run	19
	4.2.3 Carriage Single Step	19
	4.2.4 Chart Drive-On/Off	19
	4.2.5 Pen Up/Down	19
	4.2.6 Drum Fast Run	19
	4.2.7 Drum Single Step	19
	4.3 Operating Procedures	20
	4.3.1 Installation of Chart Roll	20
	4.3.2 Installation of Single Sheet Chart Paper	21
	4.3.3 Operational Checkout	21
	4.3.4 Scale Factor Adjustment	21
	4.3.5 Reticles	22
	4.3.6 Automatic Operation	23
	4.3.7 Removal of Chart Paper	23