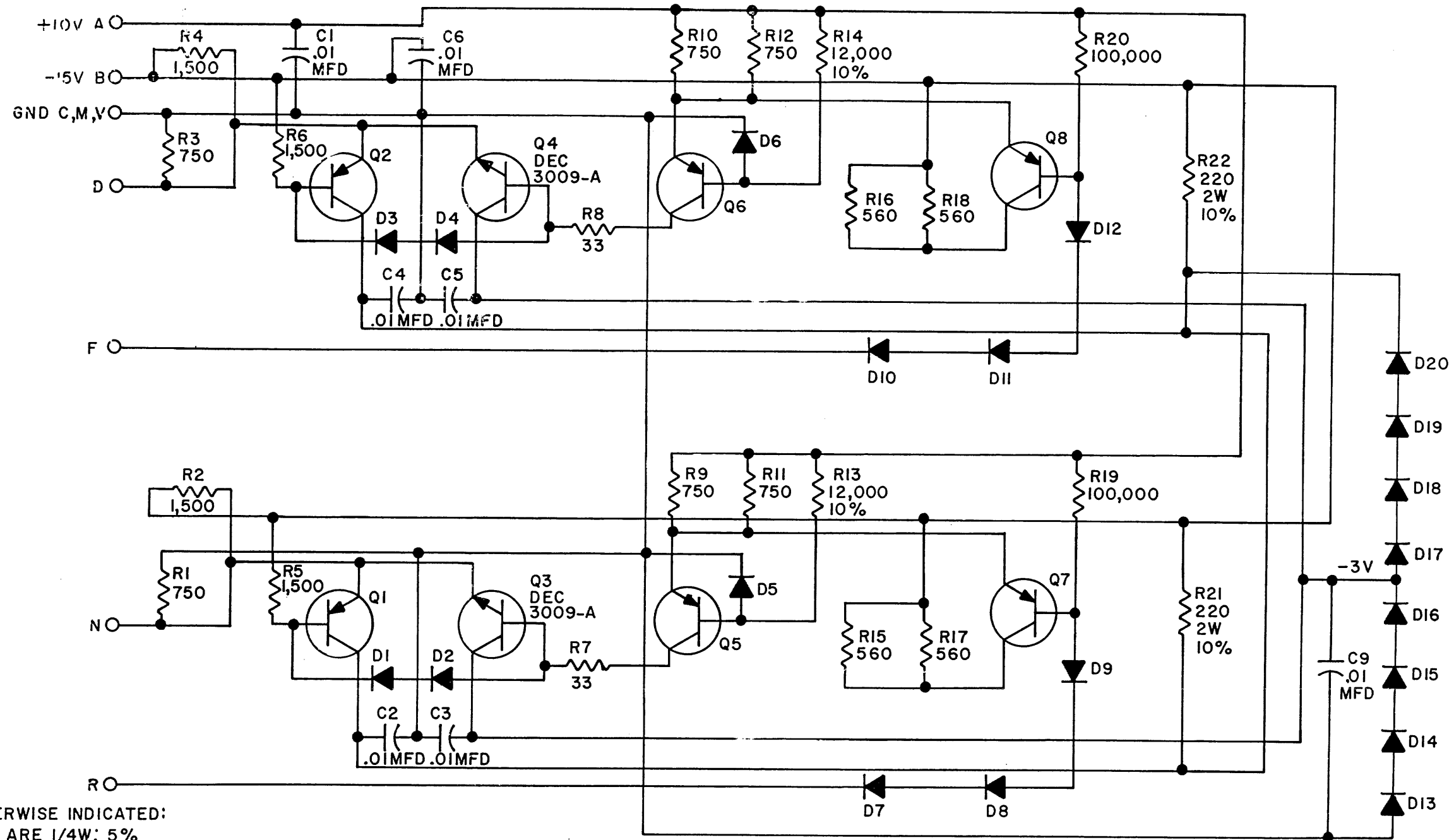


THIS SCHEMATIC IS FURNISHED ONLY FOR TEST AND MAINTENANCE PURPOSES. THE CIRCUITS ARE PROPRIETARY IN NATURE AND SHOULD BE TREATED ACCORDINGLY. COPYRIGHT 1966 BY DIGITAL EQUIPMENT CORPORATION



UNLESS OTHERWISE INDICATED:  
 RESISTORS ARE 1/4W; 5%  
 DIODES ARE D662  
 TRANSISTORS ARE DEC2894-3A



REVISIONS CHK CHG NO. REV. 5628 A	DRN.	DATE	TRANSISTOR & DIODE CONVERSION CHART				<b>digital</b> EQUIPMENT CORPORATION MAYNARD, MASSACHUSETTS	TITLE SENSE AMP SELECTOR GO10			SIZE B CODE CS NUMBER GO10-0-1 REV. A
	CHK'D	DATE	DEC	EIA	DEC	EIA		PRINTED CIRCUIT REV.	A		
	ENG.	DATE	DEC 2894-3A	NONE							
	PROD.	DATE	DEC 3009-A	2N3009							