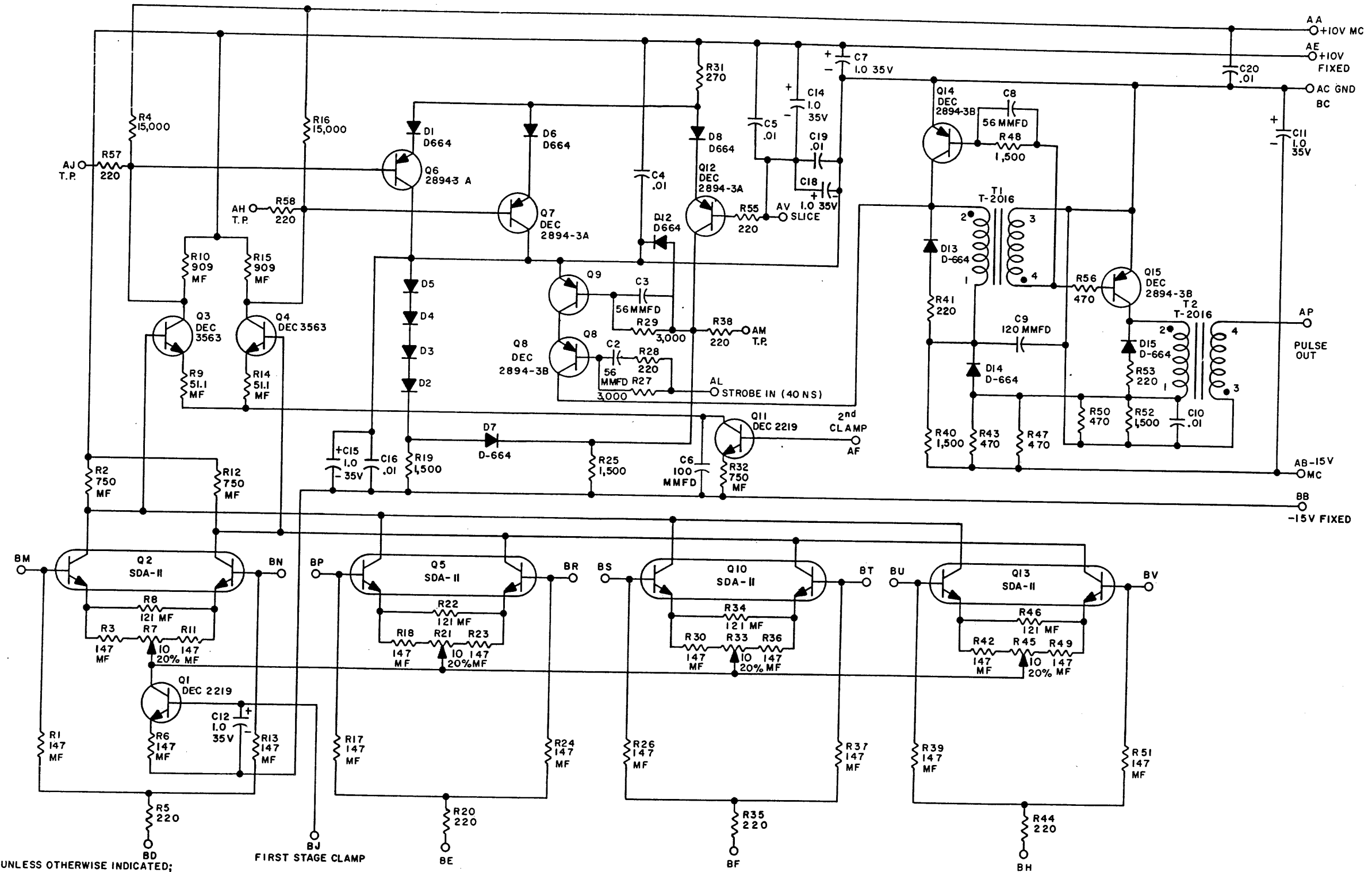


THIS SCHEMATIC IS FURNISHED ONLY FOR TEST AND MAINTENANCE PURPOSES. THE CIRCUITS ARE PROPRIETARY IN NATURE AND SHOULD BE TREATED ACCORDINGLY. COPYRIGHT 1965 BY DIGITAL EQUIPMENT CORPORATION



UNLESS OTHERWISE INDICATED;  
 TRANSISTORS ARE DEC 2894-1A R7, R21, R33, & R45 ARE PART #131008-0-0  
 DIODES ARE D-662  
 CAPACITORS ARE MFD  
 RESISTORS ARE 1/4W, 5%  
 MF RESISTORS ARE 1/8W, 1%, TO

REV.	CHK	CHG	NO.	REV.
5	RMS	5430		
4	REV	5433		
3	REV	5433		
2	REV	5433		
1	REV	5433		

DRN. H. PORTER	DATE 2-8-65
CHK'D N. PERRYMAN	DATE 2-11-65
ENG. TOM HUGHES	DATE 2-11-65
PROD.	DATE

TRANSISTOR & DIODE CONVERSION CHART			
DEC	EIA	DEC	EIA
DEC2219	2N2219	SDA-II	NONE
DEC2894-1A	NONE	D662	1N645
DEC2894-3A	NONE	D664	1N3606
DEC2894-3B	NONE		
DEC3563	2N3563		

**digital** EQUIPMENT CORPORATION  
 MAYNARD, MASSACHUSETTS

TITLE 4 INPUT DC SENSE AMPLIFIER G005  
 SIZE CODE C CS NUMBER G005-0-1 REV. R  
 PRINTED CIRCUIT REV. F

REV. R  
 NUMBER G005-0-1  
 SIZE CODE C CS