



"THIS DRAWING AND SPECIFICATIONS, HEREIN, ARE THE PROPERTY OF DIGITAL EQUIPMENT CORPORATION AND SHALL NOT BE REPRODUCED OR COPIED OR USED IN WHOLE OR IN PART AS THE BASIS FOR THE MANUFACTURE OR SALE OF ITEMS WITHOUT WRITTEN PERMISSION. COPYRIGHT © 1974, DIGITAL EQUIPMENT CORPORATION"

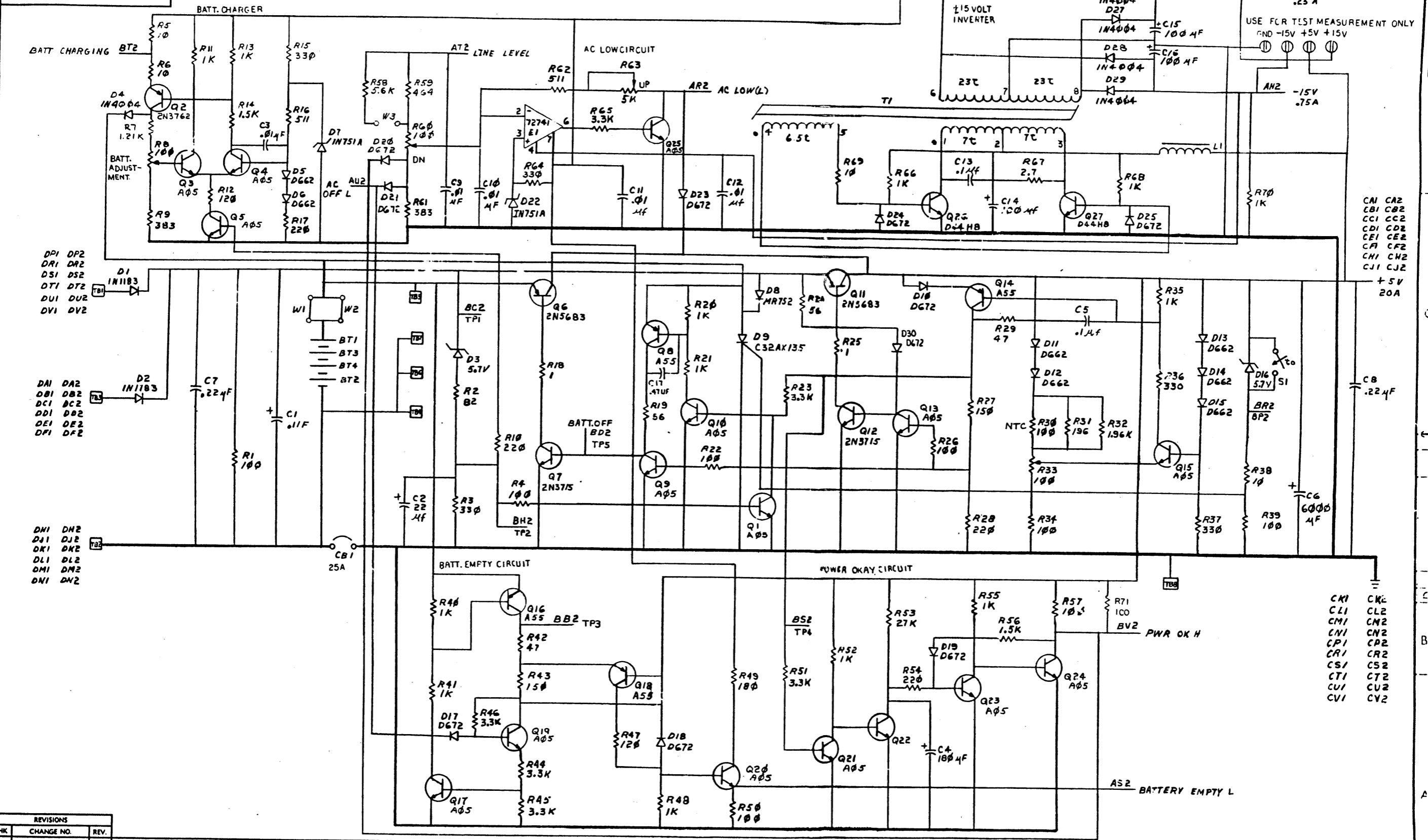
WIRE TABLE				
PART NO.	FROM	TO	TERMINATION	WIRE LENGTH
91-07380-22	TB1	D1	SOLDER AT D1 END. SOLDER AT TB1 END	5.00
91-07380-22	TB3	D2	SOLDER AT D2 END. TAB AT TB3 END	5.00
91-07380-00	TB2	TB4	SOLDER AT TB2 END SOLDER AT TB4 END	7.00
91-07380-00	+ TERMINAL OF C1	TB7 HOLE	SOLDER WIRE AT HOLE END TB9. SOLDERLESS CONNECTOR AT C1 END 90-07926	2.50
91-07380-00	- TERMINAL OF C1	TB10 HOLE	SOLDER WIRE AT HOLE END TB10. SOLDERLESS CONNECTOR AT C1 END 90-07926	1.25
91-07380-00	TB7	TOP TERMINAL OF CBI	SOLDER AT TB7 END. SOLDERLESS CONNECTOR AT CBI END 90-07926	7.00
91-07380-00	TB8	BOTTOM TERMINAL OF CBI	SOLDER AT TB8 END. SOLDERLESS CONNECTOR AT CBI END 90-07926	11.25
91-07350-22	S1	SPLIT LUG	SOLDER AT SPLIT LUG END	4.00
	S1	SPLIT LUG	SOLDER AT S1 END	4.00

QTY	REF	DESIGNATION	DESCRIPTION	PART NO	REV.
1	R30		RES. 100 1/2W NTC	1311760	53
1	R67		RES. 2.7 1/2W 10%	1309444	54
2	Q7,Q12		TRANS. DEC 2N3715	1503068	55
1	Q2		TRANS. 2N3762	1509649-01	52
16	Q1,Q3,Q4,Q5,Q9,Q10,Q13,Q15,Q17,Q19,Q20,Q21,Q22,Q23,Q24,C25		TRANS. DEC A05	1510705	57
1	R50		RES. 5.6K, 1/4W, 5%	1301874	58
4	Q8,Q14,Q16,Q18		TRANS. DEC A55	1510708	59
1	D9		DIODE SCR C32AX135	1510928	60
2	Q6,Q11		TRANS. 2N5683	1511647	61
2	Q26,Q27		TRANS. D44H8	1510707-01	62
1	T1		TRANSFORMER	1611758	63
1	L1		CHOKE	1611759	64
1	E1		I.C. DEC 72741	1910298	65
1			BRACKET REG. B.D.	7411478	66
2			SCREW 4-40 x .50 PH	9006013-1	67
4			SCREW 6-32 x .25 PH	9006020-1	68
2			SCREW 6-32 x .31 PH	9006021-1	69
3			SCREW 6-32 x .75 PH	9006025-1	70
2			KEPNUT 4-40	9006557	71
7			WASHER #8 INTERNAL	9006633	72
9			WASHER #8 FLAT	9006656	73
2			WASHER #4 FLAT	9006172	74
8			SPLIT LUGS	9006735	75
2		TB5, TB6	TAB FAST-ON (OFF SET)	9007112	76
1			TRANS. PAD #10134	9007200	77
8			SCREW 6-32 X .56 PH	9007793-1	78
REF			G6016 REG. BOARD SPEC	G6016-0-8	79
4			SOLDERLESS CONNECTOR	9007928	80
11			KEPNUT 8-32	9008185	81
A/R			WIRE #12 AWG	9107380-00	82
A/R			WIRE #12 AWG	9107380-22	83
A/R	W3		BUS WIRE #22 AWG (SEE NOTE #10)	9107580-01	84
A/R	W1,W2		REEL JUMPER (SEE NOTE #11)	9107560	85
1			SHIELD BATTERY	7411693-C-0	86
3			SPACE #6 .75 BLG.	9006801	87
2		TB5, TB6	EYELET	9009000	88
8		TB1, TB2, TB3, TB4, TB7, TB8, TB9, TB10	EYELET GS4-3	9007836	89
A/R			WIRE #22 AWG	9107350-22	90
?			WASHER #8 INTERNAL	9006634	91
A/R			THERMO COMPOUND	9006268	92
2			SCREW 10-32 X .31	9006070-01	93
2			WASHER #10 INTERNAL	9006635	94
1		C17	CAP .47UF 25V 20% CER.	1010219	95
					96
1			DECAL	A-DC-74131C90-0	97
REF			FINAL INSP. PROC. FOR G6016	A-SP-G6016-0-9	98
REF			POWER SUPPLY TESTER	B-P-D-G6016-TA	99
1			PACKAGING INSTRUCTION	A-SF-3700175-0-0100	100

REVISIONS		
CHK	CHANGE NO	REV

TITLE	H763 REGULATOR BOARD	SIZE CODE	DCS G6016-0-1	NUMBER	2	REV.	F
SCALE		SHEET	2 OF 3	DIST.			

THIS DRAWING AND SPECIFICATIONS HEREIN ARE THE PROPERTY OF DIGITAL EQUIPMENT CORPORATION AND SHALL NOT BE REPRODUCED OR COPIED OR USED IN WHOLE OR IN PART AS THE BASIS FOR THE MANUFACTURE OR SALE OF ITEMS WITHOUT WRITTEN PERMISSION. COPYRIGHT © 1974 DIGITAL EQUIPMENT CORPORATION



- DA1 DA2
- DB1 DB2
- DC1 DC2
- DD1 DD2
- DE1 DE2
- DF1 DF2

- CA1 CA2
- CB1 CB2
- CC1 CC2
- CD1 CD2
- CE1 CE2
- CF1 CF2
- CH1 CH2
- CJ1 CJ2

- CK1 CK2
- CL1 CL2
- CM1 CM2
- CN1 CN2
- CO1 CO2
- CP1 CP2
- CQ1 CQ2
- CR1 CR2
- CS1 CS2
- CT1 CT2
- CU1 CU2
- CV1 CV2

REVISIONS		
CHK	CHANGE NO.	REV.

TITLE	11763 REGULATOR BOARD	SIZE CODE	DCS	NUMBER	08016-0-1	REV.	F
SCALE	1:1	SHEET	3 OF 3	DIST.			



THIS DRAWING AND SPECIFICATION SHALL BE THE PROPERTY OF THE EQUIPMENT CORPORATION AND SHALL NOT BE REPRODUCED, COPIED, OR IN ANY MANNER DISSEMINATED WITHOUT THE WRITTEN PERMISSION OF THE MANUFACTURER OR SALES REPRESENTATIVE. EQUIPMENT CORPORATION 1974

6		SCREW G-32 X .50	9007773-1	81
1		KEPNUT 8-32	9006563	83
11		KEPNUT G-32	9008185	84
12		WASHER #6 INTERNAL	9006643	85
1		WASHER #8 INTERNAL	9006639	86
4		SCREW G-32 X .38	9006022-01	87
21		WASHER #6 FLAT	9006656	88
1		WASHER #8 FLAT NYLON (NHN)	9006713-00	89
8		FUSE CLIPS	9007273	90
1	F1	FUSE 4A	9007219	91
3	F2, F3, F4	FUSE 2.5A	9008387	92
13	TB1 - TB13	EYELET G54-3	9007836	93
8		EYELET	9009000	94
A/R	M1	WIRE JUMPER	9009185	95
A/R		WIRE #22 AWG	9107350-22	96
A/R		WIRE #18 AWG (BLU)	9107380-00	97
A/R		WIRE #12 AWG (RED)	9107380-22	98
1	R22	RES 200 3/4 W 10% RES	1309143-05	99
A/R		WIRE BUSS #18 AWG	9107560-05	101
2		BRACKET	1210928	102
1	CB1	CIRCUIT BREAKER	1211673	103
1	S1	THERMOSTAT	1211682	104
1		HEAT SINK T-05 (TRANS MOUNTED)	1212322	105
1		HEAT SINK (BRIDGE RECT) 54-18	1210907	106
1		CLAMP CAP	7413208	107
1		BRACKET REG BOARD	7413741	108
2		LUGS SPLIT	9006735	109
11		CONN SODERLESS	9007926-01	110
2		CONN SODERLESS	9007928	111
A/R		COMPOUND THERMO	9008268	112
4	CS, C10	WASHER #6 NYLON	9006707	113
13	D4, D17, D20, D21, D23, D24, D28 - D32, D22, D35	DIODE 0672	1105275	114
A/R		WIRE, 30 AWG, GREEN	9105740-05	115
1		DECAL	A-DC-7413498-0-0	116
2	R64, R65	RES 270 1/4 W 5% RES	1301972	117
1	R66	RES 33 1/4 W 5% RES	1300197	118
				119
1	D34	DIODE IN 970B	1110856	120
1		PACKAGING INSTRUCTIONS	A-SP-3700175-00	121
A/R		TUBING, EXTRUDED	9107267-00	122
2		HEX NUT 1/4 - 28	9008063	123
2		WASHER 1/4 INTERNAL LOCK	9006637	124

8	R1, R20, R40, R44, R55, R59, R60	RES 1K 1/4 W 5% RES	1300365	38
1	R45	RES 1.5K 1/4 W 5% RES	1300391	39
1	R47	RES 1.5K 1/2 W 5% RES	1300394	40
2	R36, R41	RES 3.2K 1/2 W 5% RES	1300439	41
1	R56	RES 4.7K 1/4 W 5% RES	1300447	42
1	R16	RES 10 1/4 W 5% RES	1301317	43
2	R42, R47	RES 680 1/4 W 5% RES	1301424	44
1	R46	RES 200 2 W 5% RES	1301494	45
1	R52	RES 511 1/4 W 1% RES	1302411	46
1	R26	RES 56 1/4 W 5% RES	1302602	47
1	R3	RES 56 2 W 5% RES	1302836	48
1	R12	RES 100 1/2 W 1% RES	1302858	49
4	R21, R23, R34, R63	RES 1.21K 1/4 W 1% RES	1302871	50
1	R9	RES 196 1/4 W 1% RES	1302956	51
3	R32, R35, R50	RES 468 1/4 W 1% RES	1303047	52
1	R18	RES 470 2 W 5% RES	1303062	53
1	R57	RES 12.1K 1/4 W 1% RES	1303313	54
1	R2	RES 1 5 W 10% RES	1303365	55
1	R10	RES 1.96K 1/4 W 1% RES	1304833	56
3	R37, R38, R39	RES 15K 1/4 W 5% RES	1300496	57
1	R31	RES 2.2K 1/4 W 5% RES	1300417	58
1	R48	RES 383 1/4 W 1% RES	1305125	59
1	R23	RES 619 1/8 W 1% RES	1305126	60
1	R11	RES 100 3/4 W 10% RES	1309143-04	61
1	R49	RES 500 3/4 W 10% RES	1309143-06	62
1	R53	RES 5K 3/4 W 10% RES	1309143-09	63
1	R58	RES 14.7K 1/4 W 1% RES	1302941	64
1	R20	RES .14 5 W 1% RES	1310189	65
1	R8	RES 100 1/8 W, NTC RES	1311760	66
1	E4	IC DEC 7474 IC	1905547	67
1	E3	IC DEC 74121 IC	1910230	68
2	E2, E5	IC DEC 72741 IC	1910798	69
1	E1	IC DEC 723 IC	1910415	70
4	Q4, Q12, Q20, Q21	TRANS DEC 6534B TRANS	1503409-01	71
1	Q6	TRANS DEC 2N3791 TRANS	1509581	72
1	Q2	TRANS MJE 3055 TRANS	1510555	73
1	Q8	TRANS MJE 2955 TRANS	1510556	74
2	D3, D12	TRANS C32A X135 SCE TRANS	1510928	75
1	Q1	TRANS 2N5683 TRANS	1511647	76
13	Q3, Q5, Q7, Q9, Q10, Q11, Q13 - Q19	TRANS DEC 6531B TRANS	1509338	77
7		SCREW G-32 X .25	9006020-1	78
2		SCREW G-32 X .31	9006021-1	79
1		SCR - 1/4 8-32 X .75	9006041-1	80

REVISION		
NO	CHANGE NO	REV

QTY	REF	DESIGNATION	DESCRIPTION	PART NO	ITEM NO
TITLE		REGULATOR BOARD		SIZE CODE	NUMBER
SCALE		8A CORE		D CS	G3018 - J - 1
SHEET		2 OF 4		DWG	

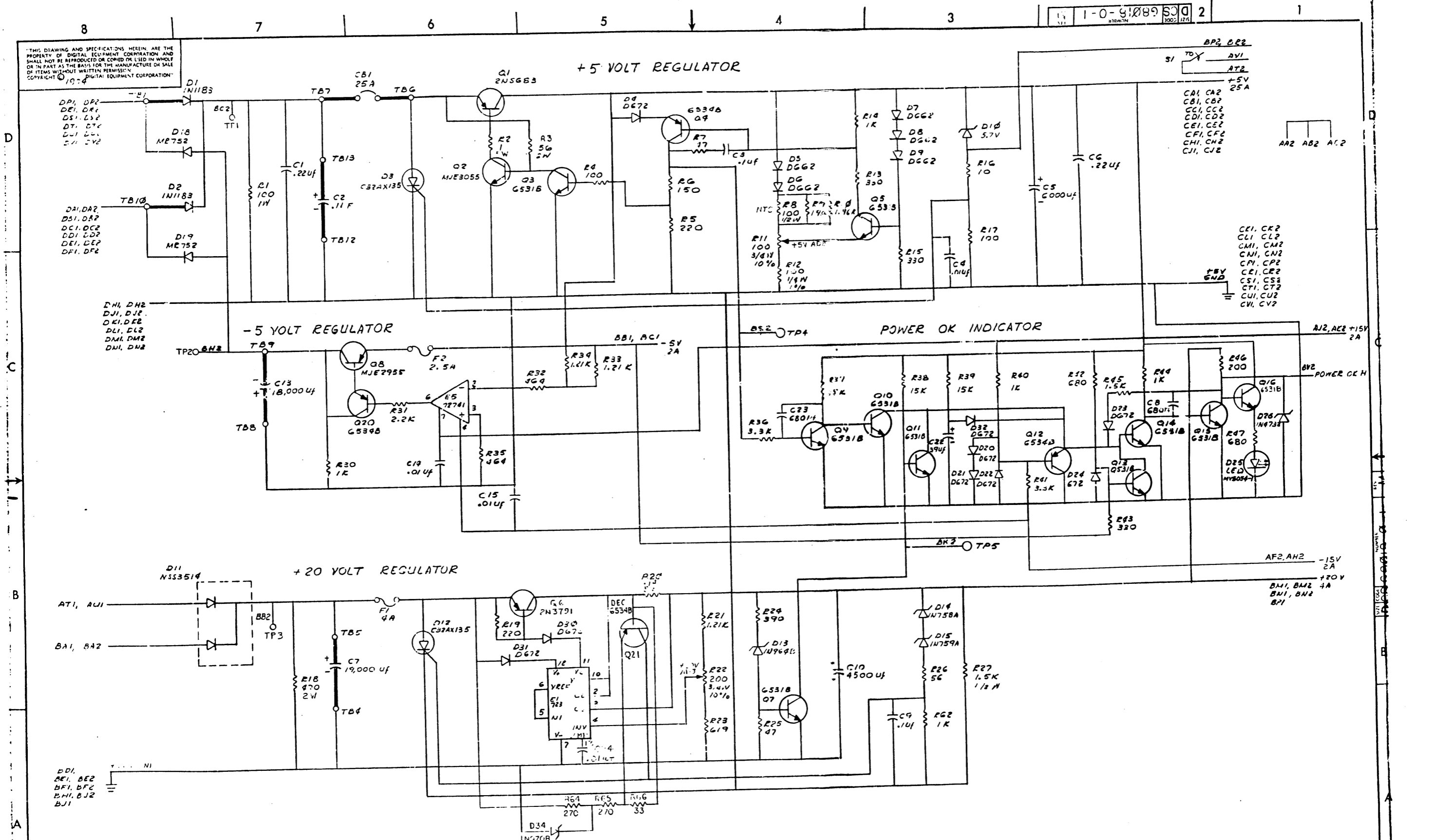
THIS DRAWING AND SPECIFICATIONS HEREIN ARE THE PROPERTY OF DIGITAL EQUIPMENT CORPORATION AND SHALL NOT BE REPRODUCED OR COPIED OR USED IN WHOLE OR IN PART AS THE BASIS FOR THE MANUFACTURE OR SALE OF ITEMS WITHOUT WRITTEN PERMISSION. COPYRIGHT © 1974 DIGITAL EQUIPMENT CORPORATION.

+5 VOLT REGULATOR

-5 VOLT REGULATOR

+20 VOLT REGULATOR

POWER OK INDICATOR



- BP2, CP2  
 S1 70Y AV1  
 AT2  
 +5V  
 25A  
 CA1, CA2  
 CB1, CB2  
 CC1, CC2  
 CD1, CD2  
 CE1, CE2  
 CF1, CF2  
 CH1, CH2  
 CI1, CI2  
 CR2  
 CL2  
 CM1, CM2  
 CN1, CN2  
 CP1, CP2  
 CR1, CR2  
 CS1, CS2  
 CT1, CT2  
 CU1, CU2  
 CV1, CV2
- AA2 AB2 AC2
- +5V GND
- AA2, AC2 +15V 2A
- AV2 POWER OK H
- AF2, AH2 -15V 2A
- BA1, BA2 +4A
- BA1, BA2  
 BI1, BI2  
 BJ1

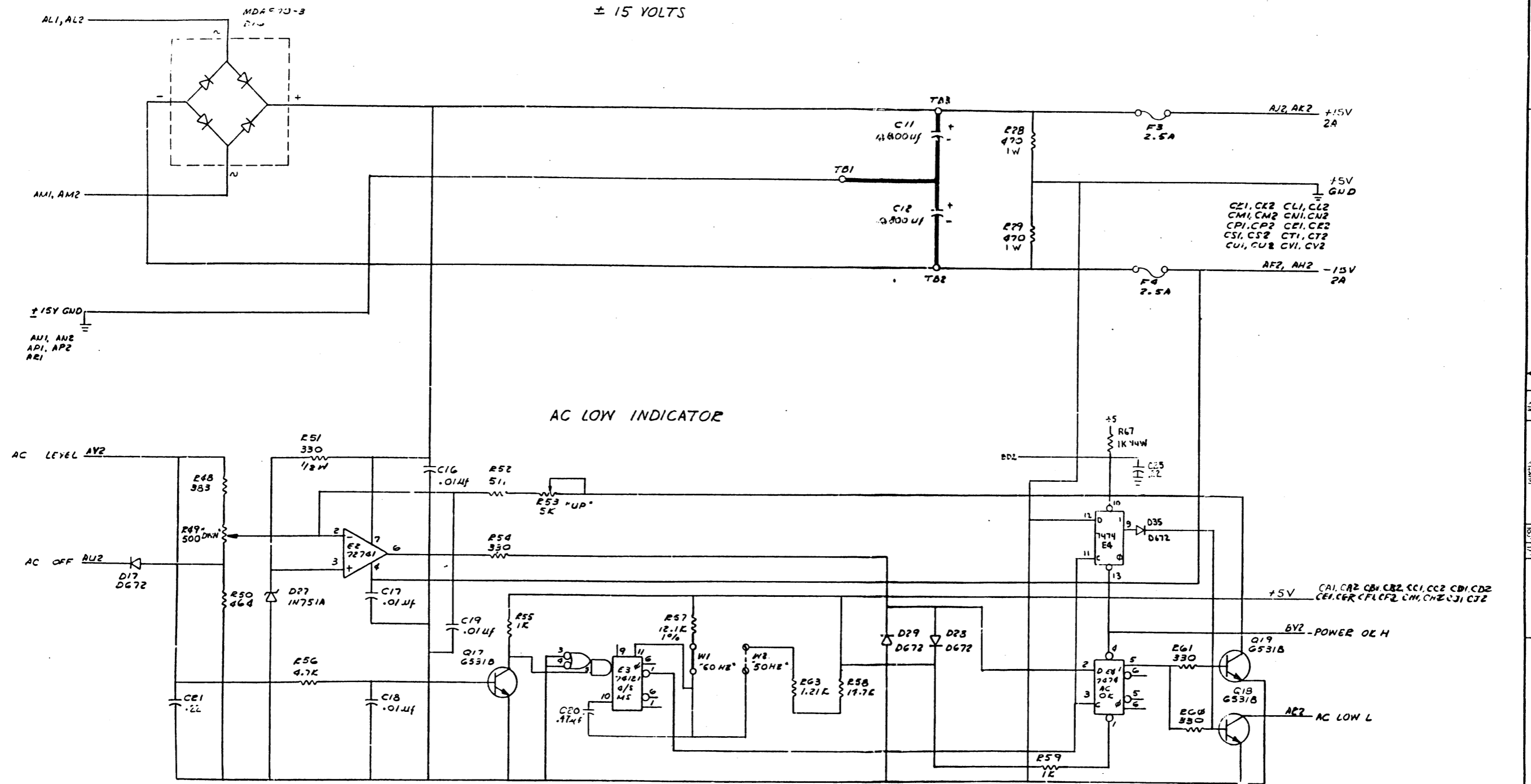
REVISIONS		
CHK	CHANGE NO	REV

TITLE	REGULATOR BOARD	SIZE CODE	D C S	NUMBER	68018-0-1	REV.	1
SCALE		SHEET	3	OF	4	DIST	

THIS DRAWING AND SPECIFICATIONS HEREIN ARE THE PROPERTY OF DIGITAL EQUIPMENT CORPORATION AND SHALL NOT BE REPRODUCED OR COPIED OR USED IN WHOLE OR IN PART AS THE BASIS FOR THE MANUFACTURE OR SALE OF ITEMS WITHOUT WRITTEN PERMISSION.  
 COPYRIGHT © 1970 DIGITAL EQUIPMENT CORPORATION

± 15 VOLTS

AC LOW INDICATOR



REVISIONS		
CHK	CHANGE NO.	REV

TITLE	REGULATOR BOARD	SIZE CODE	NUMBER	REV.
	SA CORE	DOS	62213-0-1	11
SCALE	SHEET 4 OF 4	DIST		