

"THIS DRAWING AND SPECIFICATIONS, HEREIN, ARE THE PROPERTY OF DIGITAL EQUIPMENT CORPORATION AND SHALL NOT BE REPRODUCED OR COPIED OR USED IN WHOLE OR IN PART AS THE BASIS FOR THE MANUFACTURE OR SALE OF ITEMS WITHOUT WRITTEN PERMISSION. COPYRIGHT © 1974, DIGITAL EQUIPMENT CORPORATION"

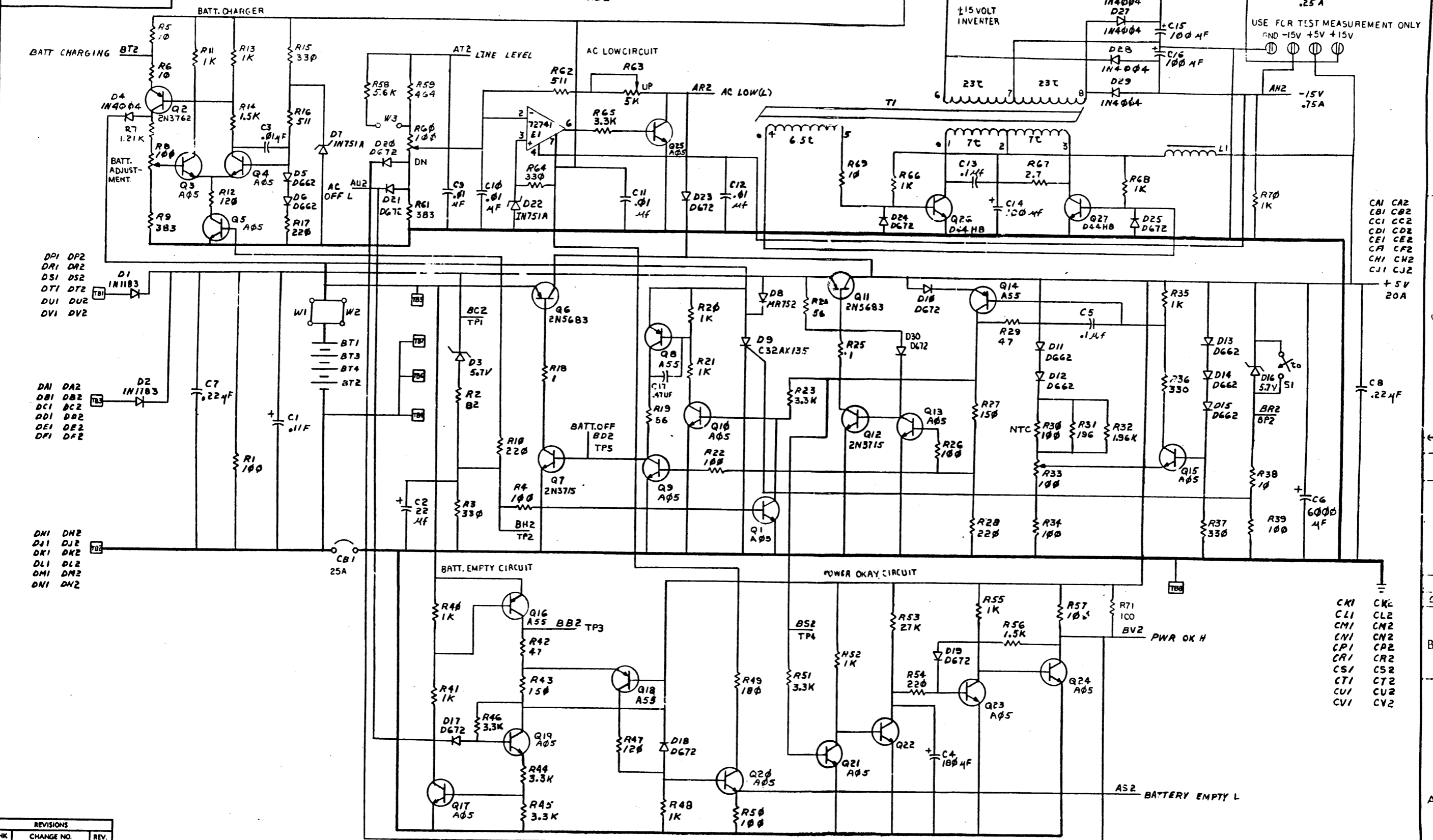
WIRE TABLE				
PART NO.	FROM	TO	TERMINATION	WIRE LENGTH
91-07380-22	TB1	D1	SOLDER AT D1 END. SOLDER AT TB1 END	5.00
91-07380-22	TB3	D2	SOLDER AT D2 END. TAB AT TB3 END	5.00
91-07380-00	TB2	TB4	SOLDER AT TB2 END SOLDER AT TB4 END	7.00
91-07380-00	+ TERMINAL OF C1	TB7 HOLE	SOLDER WIRE AT HOLE END TB9. SOLDERLESS CONNECTOR AT C1 END 90-07926	2.50
91-07380-00	- TERMINAL OF C1	TB10 HOLE	SOLDER WIRE AT HOLE END TB10. SOLDERLESS CONNECTOR AT C1 END 90-07926	1.25
91-07380-00	TB7	TOP TERMINAL OF CBI	SOLDER AT TB7 END. SOLDERLESS CONNECTOR AT CBI END 90-07926	7.00
91-07380-00	TB8	BOTTOM TERMINAL OF CBI	SOLDER AT TB8 END. SOLDERLESS CONNECTOR AT CBI END 90-07926	11.25
91-07350-22	S1	SPLIT LUG	SOLDER AT SPLIT LUG END	4.00
	S1	SPLIT LUG	SOLDER AT S1 END	4.00

QTY	REF	DESIGNATION	DESCRIPTION	PART NO	REV.
1	R30		RES. 100 1/2W NTC	1311760	53
1	R67		RES. 2.7 1/2W 10%	1309444	54
2	Q7,Q12		TRANS. DEC 2N3715	1503068	55
1	Q2		TRANS. 2N3762	1509649-01	52
16	Q1,Q3,Q4,Q5,Q9,Q10,Q13,Q15,Q17,Q19,Q20,Q21,Q22,Q23,Q24,C25		TRANS. DEC A05	1510705	57
1	R50		RES. 5.6K, 1/4W, 5%	1301874	58
4	Q8,Q14,Q16,Q18		TRANS. DEC A55	1510708	59
1	D9		DIODE SCR C32AX135	1510928	60
2	Q6,Q11		TRANS. 2N5683	1511647	61
2	Q26,Q27		TRANS. D44H8	1510707-01	62
1	T1		TRANSFORMER	1611758	63
1	L1		CHOKE	1611759	64
1	E1		I.C. DEC 72741	1910298	65
1			BRACKET REG. B.D.	7411478	66
2			SCREW 4-40 x .50 PH	9006013-1	67
4			SCREW 6-32 x .25 PH	9006020-1	68
2			SCREW 6-32 x .31 PH	9006021-1	69
3			SCREW 6-32 x .75 PH	9006025-1	70
2			KEPNUT 4-40	9006557	71
7			WASHER #8 INTERNAL	9006633	72
9			WASHER #8 FLAT	9006656	73
2			WASHER #4 FLAT	9006172	74
8			SPLIT LUGS	9006735	75
2		TB5, TB6	TAB FAST-ON (OFF SET)	9007112	76
1			TRANS. PAD #10134	9007200	77
8			SCREW 6-32 X .56 PH	9007793-1	78
REF			G6016 REG. BOARD SPEC	G6016-0-8	79
4			SOLDERLESS CONNECTOR	9007928	80
11			KEPNUT 8-32	9008185	81
A/R			WIRE #12 AWG	9107380-00	82
A/R			WIRE #12 AWG	9107380-22	83
A/R	W3		BUS WIRE #22 AWG (SEE NOTE #10)	9107580-01	84
A/R	W1,W2		REEL JUMPER (SEE NOTE #11)	9107560	85
1			SHIELD BATTERY	7411693-C-0	86
3			SPACE 3 #6 .75 BLG.	9006801	87
2		TB5, TB6	EYELET	9009000	88
8		TB1, TB2, TB3, TB4, TB7, TB8, TB9, TB10	EYELET GS4-3	9007836	89
A/R			WIRE #22 AWG	9107350-22	90
?			WASHER #8 INTERNAL	9006634	91
A/R			THERMO COMPOUND	9006268	92
2			SCREW 10-32 X .31	9006070-01	93
2			WASHER #10 INTERNAL	9006635	94
1		C17	CAP .47UF 25V 20% CER.	1010219	95
					96
1			DECAL	A-DC-7413IC90-0	97
REF			FINAL INSP. PROC. FOR G6016	A-SP-G6016-0-9	98
REF			POWER SUPPLY TESTER	B-P-D-G6016-TA	99
1			PACKAGING INSTRUCTION	A-SF-3700175-0-0100	100

REVISIONS		
CHK	CHANGE NO	REV

TITLE	H763 REGULATOR BOARD	SIZE CODE	DCS G6016-0-1	NUMBER	2	REV.	F
SCALE		SHEET	2 OF 3	DIST.			

THIS DRAWING AND SPECIFICATIONS HEREIN ARE THE PROPERTY OF DIGITAL EQUIPMENT CORPORATION AND SHALL NOT BE REPRODUCED OR COPIED OR USED IN WHOLE OR IN PART AS THE BASIS FOR THE MANUFACTURE OR SALE OF ITEMS WITHOUT WRITTEN PERMISSION. COPYRIGHT © 1974 DIGITAL EQUIPMENT CORPORATION



DP1 DP2
DR1 DR2
DS1 DS2
DT1 DT2
DU1 DU2
DV1 DV2

DN1 DN2
DB1 DB2
DC1 DC2
DD1 DD2
DE1 DE2
DF1 DF2

DH1 DH2
DI1 DI2
DK1 DK2
DL1 DL2
DM1 DM2
DN1 DN2

CN1 CN2
CB1 CB2
CC1 CC2
CD1 CD2
CE1 CE2
CF1 CF2
CH1 CH2
CJ1 CJ2

CK1 CK2
CL1 CL2
CM1 CM2
CN1 CN2
CP1 CP2
CQ1 CQ2
CR1 CR2
CS1 CS2
CT1 CT2
CU1 CU2
CV1 CV2

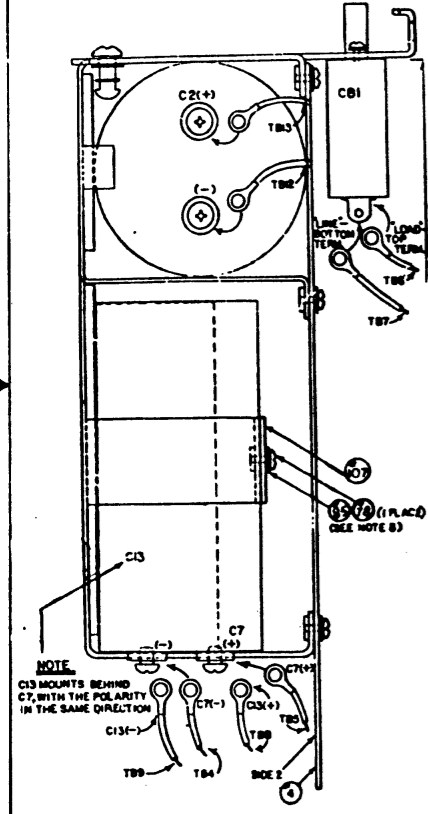
REVISIONS		
CHK	CHANGE NO.	REV.

TITLE	11763 REGULATOR BOARD	SIZE CODE	DCS	NUMBER	08016-0-1	REV.	F
SCALE	1:1	SHEET	3 OF 3	DIST.			

THIS DRAWING AND SPECIFICATIONS HEREIN ARE THE PROPERTY OF DIGITAL EQUIPMENT CORPORATION AND SHALL NOT BE REPRODUCED OR COPIED OR USED IN WHOLE OR IN PART AS THE BASIS FOR THE MANUFACTURE OR SALE OF ITEMS WITHOUT WRITTEN PERMISSION.
 COPYRIGHT © 1974 DIGITAL EQUIPMENT CORPORATION

- NOTES:**
- * INDICATES HOLES OFF GRID (4 PLACES)
 - ALL COMPONENTS SHOWN BY BROKEN LINES MOUNT ON SIDE *2
 - SI MOUNTS WITH ITEMS *84 & *88 (1 PLACE)
 - FOR 50HZ OPERATION REMOVE W1 AND INSERT W2 BUSS WIRE, 22 AWG, PART NO. 9107560-01
 - Q2 & Q8 MOUNT WITH ITEMS 82, 84 & 88
 - C5 & C10 MOUNT WITH ITEMS *102, *84, *85, *88, *87 & *113
 - PLACE ITEM *89 BETWEEN D11 AND PC BOARD SECURE WITH ITEMS *80, *83 & *86 (1 PLACE)
 - C7 & C13 ARE HELD IN PLACE WITH ITEM *107 (CAPACITOR CLAMP) AND SECURED WITH ITEMS *78 & *85
 - REFER TO PARTS LIST FOR IDENTIFICATION OF ALL NUMBERED ITEMS
 - D1 & D2 TORQUE TO 20 LB-INS
 - Q1 & Q6 TORQUE TO 14 LB-INS
 - Q2, Q8 & S1 TORQUE TO 10 LB-INS
 - Q1 & Q6 MOUNT WITH ITEMS 82, 84 & 88 ON ONE SIDE & ITEMS 82, 84 & 85 ON THE OTHER SIDE

WIRE TABLE			
PART NO.	FROM	TO	TERMINATION
91-07380-00781	C12(+)-END		SOLDER WIRE AT T85 END. ATTACH SOLDERLESS CONDUCTOR (90-07928) AT C12(+)
91-07380-00782	C12(-)-END		SOLDER WIRE AT T85 END. ATTACH SOLDERLESS CONDUCTOR (90-07928) AT C12(-)
91-07380-22783	C11(+)-END		SOLDER WIRE AT T84 END. ATTACH SOLDERLESS CONDUCTOR (90-07928) AT C11(+)
91-07380-00784	C7(-)-END		SOLDER WIRE AT T84 END. ATTACH SOLDERLESS CONDUCTOR (90-07928) AT C7(-)
91-07380-22785	C7(+)-END		SOLDER WIRE AT T85 END. ATTACH SOLDERLESS CONDUCTOR (90-07928) AT C7(+)
91-07380-22786		CM (LOAD) TERMINAL	SOLDER WIRE AT T86 END. ATTACH SOLDERLESS CONDUCTOR (90-07928) AT CM
91-07380-22787		CB1 (LINE) TERMINAL	SOLDER WIRE AT T85 END. ATTACH SOLDERLESS CONDUCTOR (90-07928) AT CB1
91-07380-00788	C13(+)-END		SOLDER WIRE AT T86 END. ATTACH SOLDERLESS CONDUCTOR (90-07928) AT C13(+)
91-07380-22789	C13(-)-END		SOLDER WIRE AT T85 END. ATTACH SOLDERLESS CONDUCTOR (90-07928) AT C13(-)
91-07380-22791		PC BOARD AS SHOWN BELOW	



THIS DRAWING AND SPECIFICATION SHALL BE THE PROPERTY OF THE EQUIPMENT CORPORATION AND SHALL NOT BE REPRODUCED, COPIED, OR IN ANY MANNER DISSEMINATED WITHOUT THE WRITTEN PERMISSION OF THE MANUFACTURER OR SALES REPRESENTATIVE. THIS DRAWING IS THE PROPERTY OF THE EQUIPMENT CORPORATION.

6		SCREW G-32 X .50	9007773-1	81
1		KEPNUT 8-32	9006563	82
11		KEPNUT G-32	9008185	83
15		WASHER #6 INTERNAL	9006643	84
1		WASHER #8 INTERNAL	9006639	85
4		SCREW G-32 X .38	9006022-01	86
21		WASHER #6 FLAT	9006656	87
1		WASHER #8 FLAT NYLON (NHN)	9006713-00	88
8		FUSE CLIPS	9007273	89
1	F1	FUSE 4A	9007219	90
3	F2, F3, F4	FUSE 2.5A	9008387	91
13	TB1 - TB13	EYELET G54-3	9007836	92
8		EYELET	9009000	93
A/R	M1	WIRE JUMPER	9009185	94
A/R		WIRE #22 AWG	9107350-22	95
A/R		WIRE #18 AWG (BLU)	9107380-00	96
A/R		WIRE #12 AWG (RED)	9107380-22	97
1	R22	RES 200 3/4 W 10% RES	1309143-05	98
A/R		WIRE BUSS #18 AWG	9107560-05	99
2		BRACKET	1210928	100
1	C81	CIRCUIT BREAKER	1211673	101
1	S1	THERMOSTAT	1211682	102
1		HEAT SINK T-05 (TRANS MOUNTED)	1212322	103
1		HEAT SINK (BRIDGE RECT) 59A-1B	1210907	104
1		CLAMP CAP	7413208	105
1		BRACKET REG BOARD	7413741	106
2		LUGS SPLIT	9006735	107
11		CONN SODERLESS	9007926-01	108
2		CONN SODERLESS	9007928	109
A/R		COMPOUND THERMO	9008268	110
4	C5, C10	WASHER #6 NYLON	9006707	111
13	D4, D17, D20, D21, D23, D24, D28 - D32, D22, D35	DIODE 0672	1105275	112
A/R		WIRE .30 AWG. GREEN	9105740-05	113
1		DECAL	A-DC-7413498-0-0	114
2	R64, R65	RES 270 1/4 W 5%	1301972	115
1	R66	RES 33 1/4 W 5%	1300197	116
				117
1	D34	DIODE IN 970B	1110856	118
1		PACKAGING INSTRUCTIONS	A-SP-3700175-00	119
A/R		TUBING, EXTRUDED	9107267-00	120
2		HEX NUT 1/4 - 28	9008063	121
2		WASHER 1/4 INTERNAL LOCK	9006637	122

8	R1, R20, R40, R44, R55, R59, R60	RES 1K 1/4 W 5%	1300365	38
1	R45	RES 1.5K 1/4 W 5%	1300391	39
1	R47	RES 1.5K 1/2 W 5%	1300394	40
2	R36, R41	RES 3.2K 1/2 W 5%	1300439	41
1	R56	RES 4.7K 1/4 W 5%	1300447	42
1	R16	RES 10 1/4 W 5%	1301317	43
2	R42, R47	RES 680 1/4 W 5%	1301424	44
1	R46	RES 200 2 W 5%	1301494	45
1	R52	RES 511 1/4 W 1%	1302411	46
1	R26	RES 56 1/4 W 5%	1302602	47
1	R3	RES 56 2 W 5%	1302836	48
1	R12	RES 100 1/2 W 1%	1302858	49
4	R21, R23, R24, R23	RES 1.21K 1/4 W 1%	1302871	50
1	R9	RES 196 1/4 W 1%	1302956	51
3	R32, R35, R50	RES 469 1/4 W 1%	1303047	52
1	R18	RES 470 2 W 5%	1303062	53
1	R57	RES 12.1K 1/4 W 1%	1303313	54
1	R2	RES 1 5 W 10%	1303365	55
1	R10	RES 1.96K 1/4 W 1%	1304833	56
3	R37, R38, R39	RES 15K 1/4 W 5%	1300496	57
1	R31	RES 2.2K 1/4 W 5%	1300417	58
1	R48	RES 383 1/4 W 1%	1305125	59
1	R23	RES 619 1/4 W 1%	1305126	60
1	R11	RES 100 3/4 W 10%	1309143-04	61
1	R49	RES 500 3/4 W 10%	1309143-06	62
1	R53	RES 5K 3/4 W 10%	1309143-09	63
1	R58	RES 14.7K 1/4 W 1%	1302941	64
1	R20	RES .14 5 W 1%	1310189	65
1	R8	RES 100 1/2 W, NTC	1311760	66
1	E4	IC DEC 7474	1905547	67
1	E3	IC DEC 74121	1910230	68
2	E2, E5	IC DEC 72741	1910798	69
1	E1	IC DEC 723	1910415	70
4	Q4, Q12, Q20, Q21	TRANS DEC 6534B	1503409-01	71
1	Q6	TRANS DEC 2N3791	1509581	72
1	Q2	TRANS MJE 3055	1510555	73
1	Q8	TRANS MJE 2955	1510556	74
2	D3, D12	TRANS C32A X135 SCE	1510928	75
1	Q1	TRANS 2N5683	1511647	76
13	Q3, Q5, Q7, Q9, Q10, Q11, Q13 - Q19	TRANS DEC 6531B	1509338	77
7		SCREW G-32 X .25	9006020-1	78
2		SCREW G-32 X .31	9006021-1	79
1		SCR - 1/4 8-32 X .75	9006041-1	80

REVISION		
NO	CHANGE NO	REV

QTY	REF	DESIGNATION	DESCRIPTION	PART NO	ITEM NO
TITLE		REGULATOR BOARD		SIZE CODE	NUMBER
SCALE		8A CORE		D CS	G3018 - J - 1
SHEET		2 OF 4		DWG	