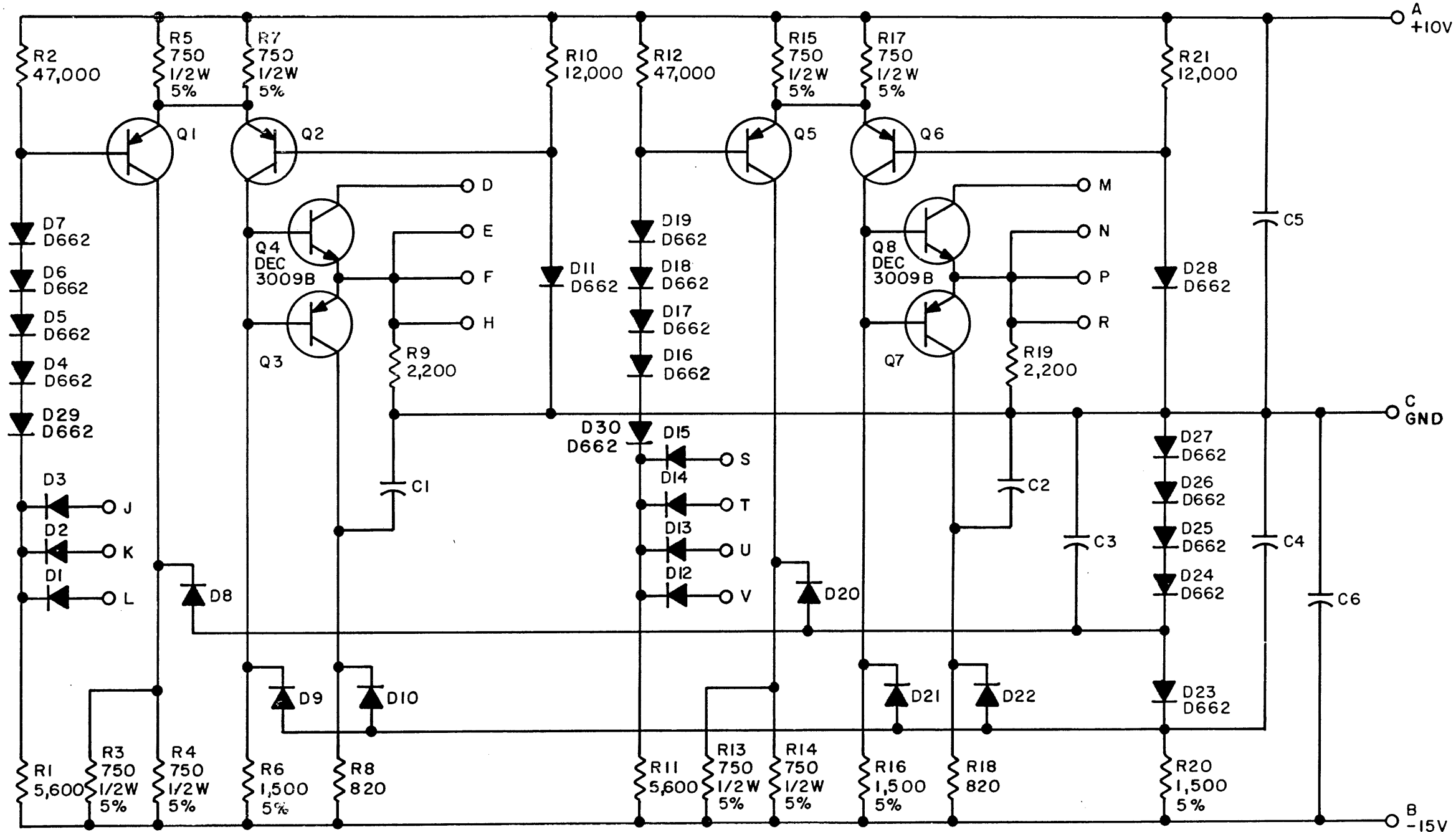


THIS SCHEMATIC IS FURNISHED ONLY FOR TEST AND MAINTENANCE PURPOSES. THE CIRCUITS ARE PROPRIETARY IN NATURE AND SHOULD BE TREATED ACCORDINGLY. COPYRIGHT 1967 BY DIGITAL EQUIPMENT CORPORATION



UNLESS OTHERWISE INDICATED:
 TRANSISTORS ARE 2N4258
 RESISTORS ARE 1/4W, 10%
 DIODES ARE D664
 CAPACITORS ARE .01 MFD

PARTS LIST A-PL-B685-0-0

REVISIONS CHK CHG NO. REV. 7116 C	DRN.	DATE	TRANSISTOR & DIODE CONVERSION CHART				TITLE DIODE GATE DRIVER B685 digital EQUIPMENT CORPORATION MAYNARD, MASSACHUSETTS	NUMBER			REV.
	<i>m. Haller</i>	5-21-67	DEC	EIA	DEC	EIA		B	CS	B685-0-1	C
	CHK'D	DATE	DEC3009B	2N3009				PRINTED CIRCUIT REV.			
	ENG.	DATE	2N4258	SAME				B			
	PROD	DATE	D662	IN645							
			D664	IN3606							

1157 2114 435 1304 116K